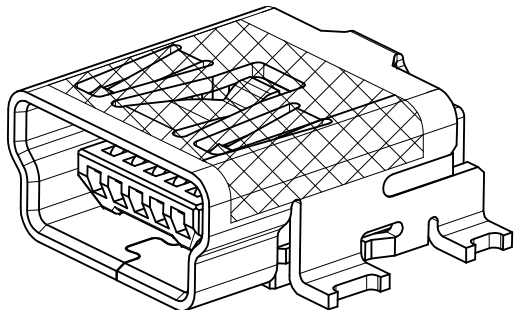


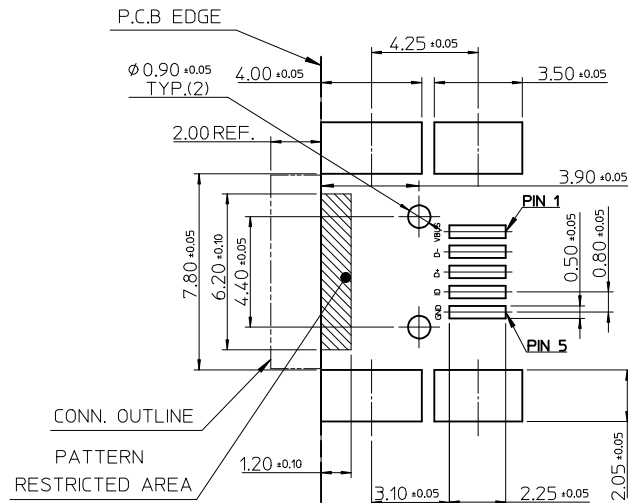
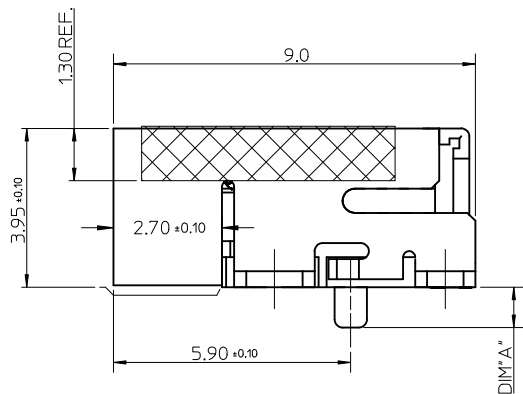
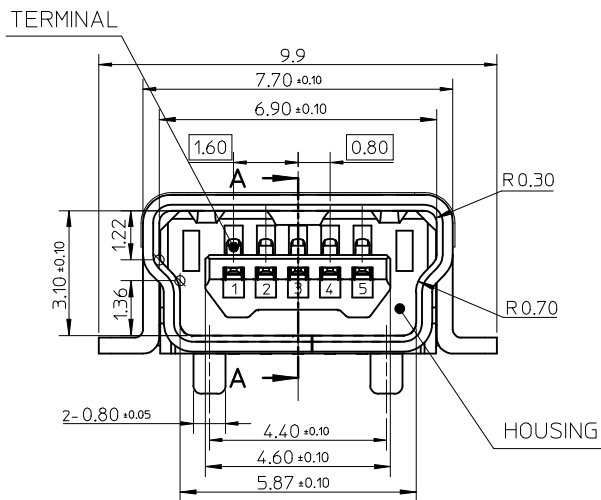
TABLE:

PRODUCT NO.	PACKAGE DOCUMENT	DIM*A"	REMARK
67503-1020	PK-67503-001	1.00	N/A
67503-2020	PK-67503-003	1.00	
67503-1030	PK-67503-001	0.80	HALOGEN FREE
67503-1120	PK-67503-001	1.00	

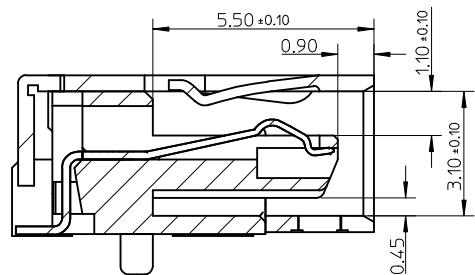


NOTE :

- MATERIAL :
HOUSING : HIGH TEMPERATURE THERMAL PLASTIC ,
BLACK,UL94V-0
TERMINAL : COPPER ALLOY THICKNESS = 0.2 MM
SHIELD CASE : COPPER ALLOY THICKNESS = 0.4 MM
- PLATING :
TERMINAL:
CONTACT AREA : GOLD 0.75 MICROMETER MINIMUM.
SOLDER TAIL AREA : PURE TIN 1~3 MICROMETER PLATING.
UNDER PLATING : NICKEL 1.25 MICROMETER MINIMUM.
SHIELD CASE :
PURE TIN 1~3 MICROMETER PLATING.
UNDER PLATING : NICKEL 1.0 MICROMETER MINIMUM.
- TAIL & NAIL COPLANARITY 0.1 mm MAXIMUM.
- PRODUCT SPECIFICATION REFER TO PS-67803-001.
- PACKAGING INFORMATION REFER TO TABLE.
- COMPLIANT TO RoHS DIRECTIVE 2002/95/EC AND ELV DIRECTIVE 2000/53/EC.



RECOMMENDED P.C.B. PATTERN LAYOUT



SECTION A-A

ADD PART NUMBER EC NO: SH2009-0651 DRW: XJ.SONG 2009/05/18 CHK: XJ.SONG 2009/05/19 APPR: H.WANG 2009/07/17	QUALITY SYMBOLS ▽=0 ▽=0	GENERAL TOLERANCES (UNLESS SPECIFIED)		DIMENSION STYLE MM ONLY	SCALE 8:1	DESIGN UNITS METRIC	THIRD ANGLE PROJECTION	
		4 PLACES ± --- ± ---	DRAWN BY LXWANG	DATE 2004/11/29	TITLE USB SERIES MINI-B REC. ASS'Y SMT TYPE (LEAD FREE)			
		3 PLACES ± --- ± ---	CHECKED BY HARVEY	DATE 2004/11/29	MOLEX INCORPORATED			
		2 PLACES ± 0.25 ± --- 1 PLACE ± 0.25 ± --- ANGULAR ± 3 °	APPROVED BY YTYAP	DATE 2004/11/29	MATERIAL NO. SEE TABLE	DOCUMENT NO. SD-67503-010	SHEET NO. 1 OF 1	
DRAFT WHERE APPLICABLE MUST REMAIN WITHIN DIMENSIONS		THIS DRAWING CONTAINS INFORMATION THAT IS PROPRIETARY TO MOLEX INCORPORATED AND SHOULD NOT BE USED WITHOUT WRITTEN PERMISSION						