

THIS DRAWING IS UNPUBLISHED. RELEASED FOR PUBLICATION 20
 © COPYRIGHT 20 BY TYCO ELECTRONICS CORPORATION. ALL RIGHTS RESERVED.

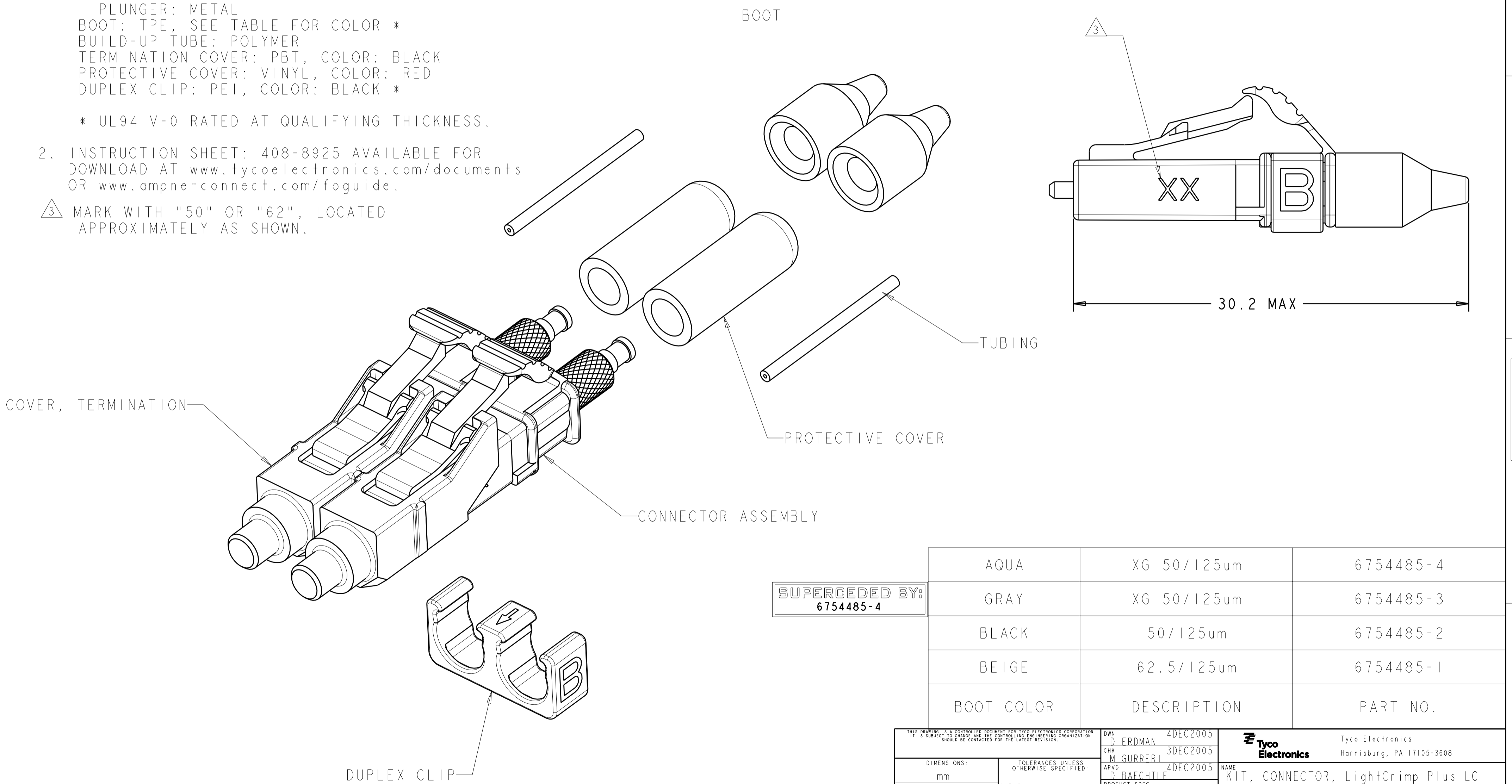
LOC	DIST	REVISIONS			
P	LTR	DESCRIPTION	DATE	DWN	APVD
CE	00	F	REV PER ECR-08-031840	18DEC2008	DDE CB
		F1	REVISE NOTE 2	12MAR2009	BB SB
		F2	REVISE PLUNGER VIEW	08APR2009	KG CB

1 MATERIAL:
 CONNECTOR ASSEMBLY:
 CONNECTOR HOUSING: PPSU, COLOR: BEIGE *
 REAR BODY: METAL
 COMPRESSION SPRING: METAL
 FERRULE SUB ASSEMBLY: ZIRCONIA/ METAL
 INTERNAL SPLICE: PEI *
 PLUNGER: METAL
 BOOT: TPE, SEE TABLE FOR COLOR *
 BUILD-UP TUBE: POLYMER
 TERMINATION COVER: PBT, COLOR: BLACK
 PROTECTIVE COVER: VINYL, COLOR: RED
 DUPLEX CLIP: PEI, COLOR: BLACK *

* UL94 V-0 RATED AT QUALIFYING THICKNESS.

2. INSTRUCTION SHEET: 408-8925 AVAILABLE FOR
 DOWNLOAD AT www.tycoelectronics.com/documents
 OR www.amernetconnect.com/foguide.

3 MARK WITH "50" OR "62", LOCATED
 APPROXIMATELY AS SHOWN.



SUPERCEDED BY:
6754485-4

BOOT COLOR	DESCRIPTION	PART NO.
AQUA	XG 50/125um	6754485-4
GRAY	XG 50/125um	6754485-3
BLACK	50/125um	6754485-2
BEIGE	62.5/125um	6754485-1

<small>THIS DRAWING IS A CONTROLLED DOCUMENT FOR TYCO ELECTRONICS CORPORATION IT IS SUBJECT TO CHANGE AND THE CONTROLLING ENGINEERING ORGANIZATION SHOULD BE CONTACTED FOR THE LATEST REVISION.</small>		DWN D. ERDMAN 14DEC2005 CHK M. GURRERI 13DEC2005 APVD D. BAECHTLE 14DEC2005	Tyco Electronics Harrisburg, PA 17105-3608
DIMENSIONS: mm 	TOLERANCES UNLESS OTHERWISE SPECIFIED: 0 PLC ±- 1 PLC ±0.5 2 PLC ±0.13 3 PLC ±0.013 4 PLC ±0.0001 ANGLES ± FINISH	PRODUCT SPEC APPLICATION SPEC WEIGHT -	NAME KIT, CONNECTOR, LightCrimp Plus LC DUPLEX, MM 250-900um BUFFER SIZE A2 CAGE CODE 00779 DRAWING NO. 6754485 RESTRICTED TO -
MATERIAL 1 -		CUSTOMER DRAWING SCALE 4:1 SHEET 1 OF 1 REV F2	