

NOTE :

1. MATERIAL :

HOUSING : NYLON GLASS FILLED , GRAY,UL94V-0  
 TERMINAL : COPPER ALLOY THICKNESS = 0.2 MM  
 SHIELD CASE : COPPER ALLOY THICKNESS = 0.4 MM

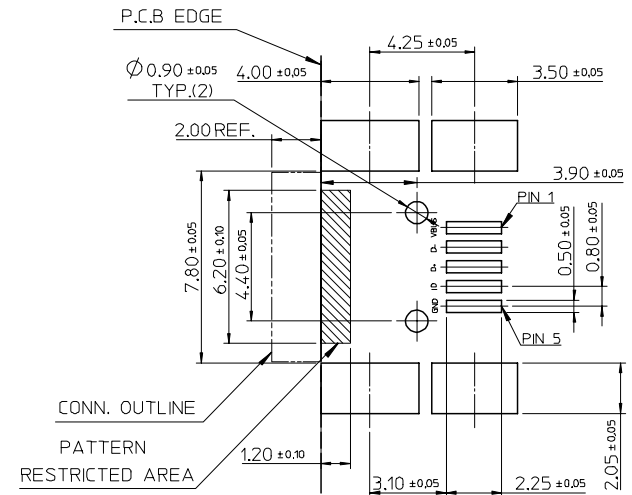
2. PLATING :

TERMINAL:  
 CONTACT AREA : GOLD 0.75 MICROMETER MINIMUM.  
 SOLDER TAIL AREA : PURE TIN 3.8 MICROMETER MINIMUM.  
 UNDER PLATING : NICKEL 1.25 MICROMETER MINIMUM.

SHIELD CASE :

PURE TIN 1~3 MICROMETER MINIMUM.  
 UNDER PLATING : NICKEL 1.0 MICROMETER MINIMUM.

3. TAIL & NAIL COPLANARITY 0.1 mm MAXIMUM.



RECOMMENDED P.C.B. PATTERN LAYOUT

COMPONENT	REMARK
P/N	
67803-8020	WITH COVER TAPE
67803-8021	WITHOUT COVER TAPE

REVISE	EC NO: SH2006-0852	2006/06/30
DRWN: X/SONG	2006/07/04	
CHKD: WANG	2006/07/04	
APPR: INCHEH	2006/07/05	

QUALITY SYMBOLS	▽=0
	△=0

GENERAL TOLERANCES (UNLESS SPECIFIED)	mm	INCH
4 PLACES	± ---	± ---
3 PLACES	± ---	± ---
2 PLACES	± 0.25	± ---
1 PLACE	± 0.25	± ---
ANGULAR ± 3 °		
DRAFT WHERE APPLICABLE MUST REMAIN WITHIN DIMENSIONS		

DIMENSION STYLE	MM ONLY
SCALE	8:1
DESIGN UNITS	METRIC
THIRD ANGLE PROJECTION	
DRAWN BY	DATE
JACK	2004/11/23
CHECKED BY	DATE
HARVEY	2004/11/23
APPROVED BY	DATE
YTYAP	2004/11/23
MATERIAL NO.	SEE TABLE
DOCUMENT NO.	SD-67803-002
SHEET NO.	1 OF 1

USB SERIES MINI-AB REC. ASS'Y SMT TYPE (LEAD-FREE)

**MOLEX INCORPORATED**

THIS DRAWING CONTAINS INFORMATION THAT IS PROPRIETARY TO MOLEX INCORPORATED AND SHOULD NOT BE USED WITHOUT WRITTEN PERMISSION