

# Universal Serial Bus (USB) Connectors



## ORDERING GUIDE

**690 - 004 - 2 20 - 0 1 3**

Series ———  
 Total # Contacts ———  
 Contact Plating Code ———  
 Contact Code ———  
 Edac Internal ———  
 Series Indicator ———  
 Grounding Feature ———

## FEATURES

- Compatible with Windows 98, NT, 2000 +
- 1.2Mbps communication speed
- Industry standard plug and play technology
- Complies with USB std 1.0
- Supports up to 127 devices
- Up to 5 meters per cable segment
- Single 4 position and dual stacked 8 position available
- Additional shielded versions available with mating face clips and fully enclosed housing for dual port
- Hot pluggable
- Compatible with asynchronous and isochronous data transfer methods
- Board locks for exceptional retention for PCB mounting
- Consolidates current serial, parallel, keyboard, mouse and game ports as well as digital cameras, ISDN & PBX

## SPECIFICATIONS

- Insulator material: UL94V-0 thermoplastic glass reinforced 30%
- Contact material: phosphor bronze
- Contact plating: gold over nickel on mating area, tin on tails
- Shell: Brass with tin plating
- Contact resistance: 25 Milliohms maximum
- Dielectric withstanding voltage: 750V AC
- Insulation resistance: 1000 Megohms minimum
- Operating temperature: -55 to +85 degrees C
- Mating force 3.5 kgs max, unmating force 1.0 kg min

### Series

690	socket
691	cable plug

### Total Contacts

004	single port
008	dual port

### Contact Plating Code

2	gold flash
3	15u" gold
6	30u" gold

### Contact Code

20	right angle thru hole 9.9mm footprint
21	right angle thru hole 10.28mm footprint
90	series A crimp connector
92	series B crimp connector
93	complete overmoulded cable series A to B

### Edac Internal Use

0	indicates generic internal use code
---	-------------------------------------

### Series Indicator

1	series A
2	series B
3	cable assembly

### Grounding Feature

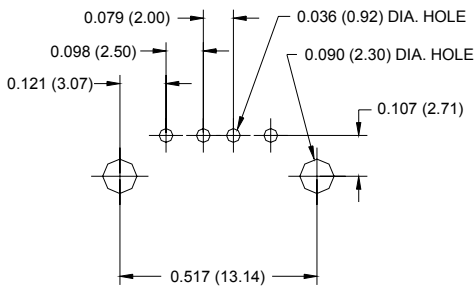
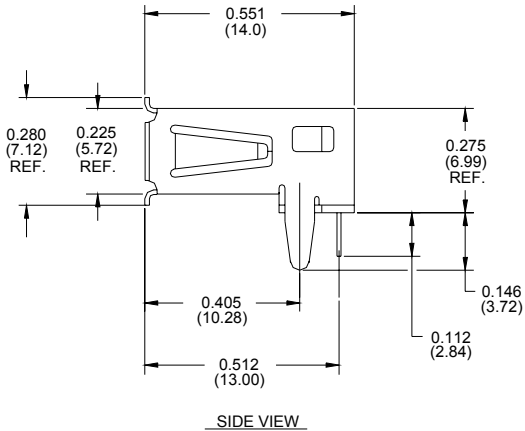
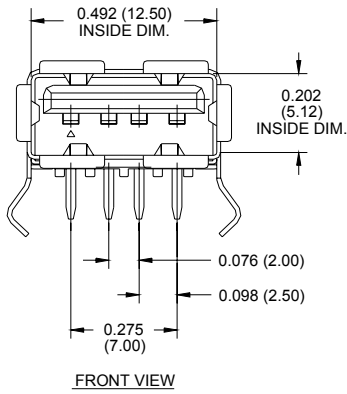
0	none (cable assembly & crimp)
3	boardlocks



**FOR MORE INFORMATION VISIT [www.edac.net](http://www.edac.net) OR EMAIL [edac@edac.net](mailto:edac@edac.net)**  
**Phone: 416-754-3322 Fax: 416-754-3299**

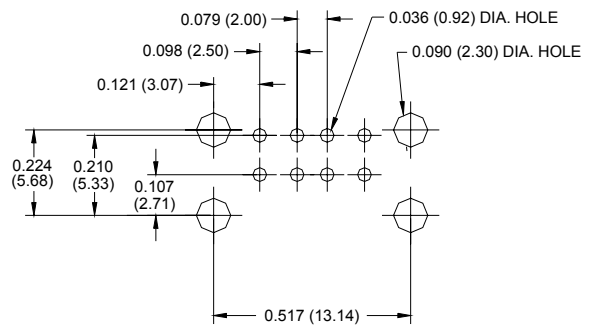
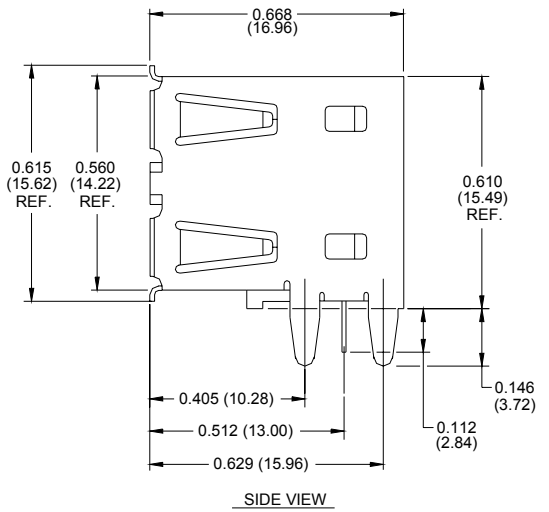
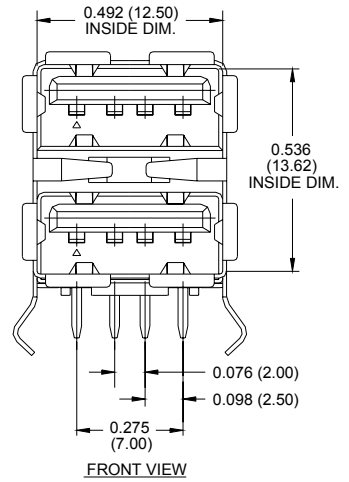
# Connector Layout

## SINGLE PORT



RECOMMENDED PC BOARD LAYOUT

## DUAL PORT



RECOMMENDED PC BOARD LAYOUT