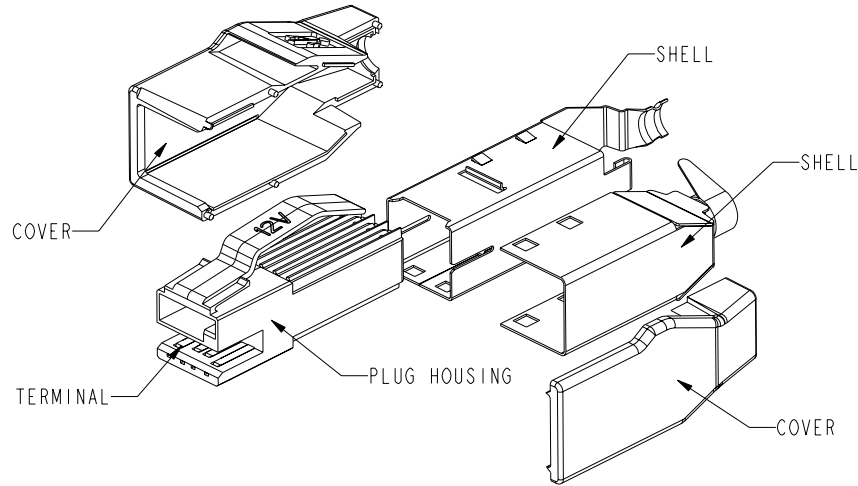


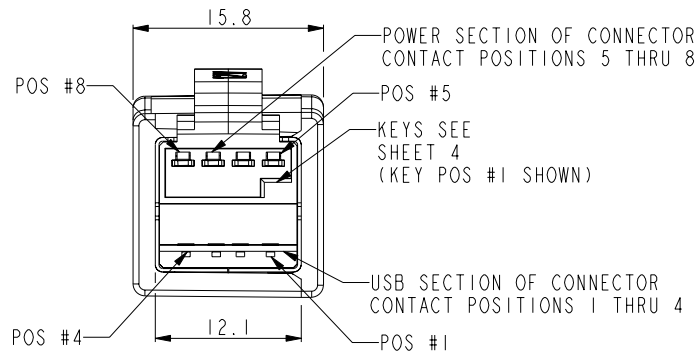
PRODUCT NUMBER

SEE TABLE

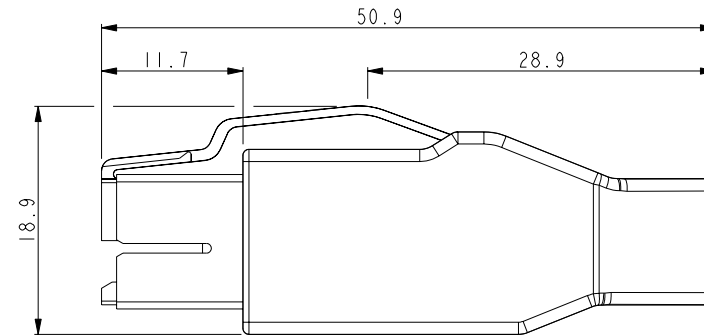
KIT PARTS
SCALE 1.000



12 VOLT KEY POSITION SHOWN SEE ADDITIONAL SHEETS FOR OTHER KEYING OPTIONS



MATERIALS	SPECIFICATIONS
SHELLS	HIGH STRENGTH COPPER ALLOY
HOUSINGS	THERMOPLASTIC UL94V-0 RATED
TERMINALS	HIGH STRENGTH COPPER ALLOY
COVERS	THERMOPLASTIC UL94V-0 RATED; COLOR: SEE TABLE.
PLATING	
SHELL	UNDERPLATE; 40 MICROINCHES Ni 100 MICROINCHES MIN TIN (TIN/LEAD)
TERMINALS	UNDERPLATE; 40 MICROINCHES Ni CONTACT AREA; 30 MICROINCHES GXT TAIL AREA; 100 MICROINCHES TIN (TIN/LEAD)
ELECTRICAL	
VOLTAGE RATING	USB; 5.25VDC, +POWER; 12VDC, 24VDC, 5VDC
DIELECTRIC WITHSTANDING VOLTAGE	750 VAC
INSULATION RESISTANCE	1000 MEG OHMS AT 500 VDC
CURRENT RATING (NOTE 1)	1.50A USB SECTION 3.00A POWER SECTION

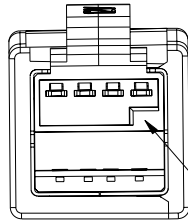


www.fciconnect.com			surface <input checked="" type="checkbox"/>	tolerance std	projection	MM																																							
			TOLERANCES UNLESS OTHERWISE SPECIFIED																																										
Dr	P. HSU	10/6/97	ANGULAR	0.X	±0.3	size A4																																							
Eng	R. MACMULLIN	10/6/97		LINEAR	0.XX		±0.13																																						
Chr	R. MACMULLIN	10/6/97	0° ±°	0.XXX	±0.051	ECN																																							
Appr	R. MACMULLIN	10/6/97	Product family			Spec ref																																							
<table border="1"> <thead> <tr> <th>rev</th> <th>ecn no</th> <th>dr</th> <th>date</th> </tr> </thead> <tbody> <tr> <td>J</td> <td>N04-0069</td> <td>PH</td> <td>10/18/04</td> </tr> <tr> <td>K</td> <td>N05-0255</td> <td>PH</td> <td>09/09/05</td> </tr> <tr> <td>L</td> <td>N08-0122</td> <td>hky Si</td> <td>06/16/08</td> </tr> <tr> <td>M</td> <td>N09-0123</td> <td>R.B</td> <td>04/24/2009</td> </tr> <tr> <td>N</td> <td>N09-0340</td> <td>R.B</td> <td>10/22/2009</td> </tr> <tr> <td>-</td> <td>-</td> <td>-</td> <td>-</td> </tr> <tr> <td>-</td> <td>-</td> <td>-</td> <td>-</td> </tr> </tbody> </table>			rev	ecn no	dr	date	J	N04-0069	PH	10/18/04	K	N05-0255	PH	09/09/05	L	N08-0122	hky Si	06/16/08	M	N09-0123	R.B	04/24/2009	N	N09-0340	R.B	10/22/2009	-	-	-	-	-	-	-	-	<table border="1"> <tr> <td rowspan="2">FCI</td> <td>title</td> <td>PLUG KITS ASSEMBLY</td> <td rowspan="2">dwg no</td> <td rowspan="2">74233</td> <td rowspan="2">Rev.</td> <td rowspan="2">N</td> </tr> <tr> <td></td> <td>USB+POWER</td> </tr> </table>		FCI	title	PLUG KITS ASSEMBLY	dwg no	74233	Rev.	N		USB+POWER
rev	ecn no	dr	date																																										
J	N04-0069	PH	10/18/04																																										
K	N05-0255	PH	09/09/05																																										
L	N08-0122	hky Si	06/16/08																																										
M	N09-0123	R.B	04/24/2009																																										
N	N09-0340	R.B	10/22/2009																																										
-	-	-	-																																										
-	-	-	-																																										
FCI	title	PLUG KITS ASSEMBLY	dwg no	74233	Rev.	N																																							
		USB+POWER																																											
catalog no			CUSTOMER		sheet 1 of 3																																								

PRODUCT NUMBER

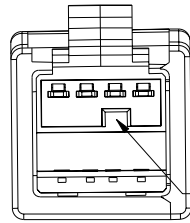
SEE TABLE

12V KEY POSITION
SCALE 1.500



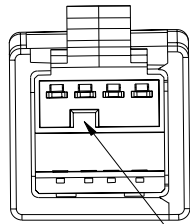
KEY POS. 1

24 KEY POSITION
SCALE 1.500



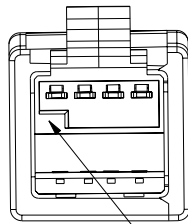
KEY POS. 2

5V KEY POSITION
SCALE 1.500



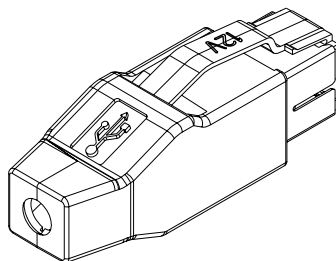
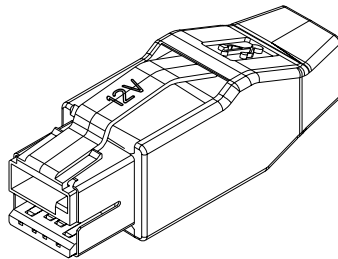
KEY POS. 3

UNASSIGNED KEY
SCALE 1.500



KEY POS. 4

ABOVE ASSEMBLIES ARE SHOWN ONLY FOR
KEY INFORMATION, FOR ASSEMBLY INFORMATION
AND DIMENSIONS SEE PREVIOUS SHEETS



NOTES:

1. CURRENT AS LISTED IS AMPS PER CONTACT WITH ALL CONTACTS POWER;
2. DIMENSIONS AND TOLERANCES ARE IN ACCORDANCE WITH ASME Y14.5M, 1994;
3. MATING SEQUENCE WHEN MATED WITH USB+POWER RECEPTACLE PRODUCT NUMBER 55917-XXX;
4. PRODUCT NUMBER 74233-XXXLF

LEAD FREE OPTION

WITH "LF" SUFFIX, TERMINAL AND SHELL PLATING IS TIN,
WITHOUT "LF" SUFFIX, TERMINAL AND SHELL PLATING IS TIN/LEAD;

5. PRODUCT SPECIFICATION REFERS TO GS-12-130;
6. PACKAGE SPECIFICATION REFERS TO GS-14-395;
7. PACKING STANDARD GS-14-920 WILL BE APPLIED FOR LEAD FREE P/N'S;
8. FOR LEAD FREE PART NUMBER, THE PRODUCT MEET EUROPEAN UNION DIRECTIVES AND OTHER COUNTRY REGULATION AS DESCRIBED IN GS-22-008;
9. FOR LEAD FREE PART NUMBERS, THE HOUSING WILL WITHSTAND EXPOSURE TO 260°C PEAK TEMPERATURE FOR 40 SECONDS IN A CONVECTION, INFRARED OR VAPOR PHASE REFLOW OVEN;
10. INSULATION MYLAR MUST COVER WITH ALL TERMINALS AND SOLDERED POINTS ON BOTH TWO SIDES (ONE PIECE EACH SIDE) AFTER SOLDERING AND BEFORE ASSEMBLY SHIELDS, RECOMMENDED DIMENSION OF MYLAR IS 27.00±0.10*10.00±0.10*0.10±0.03 (LENGTH*WIDTH*THICKNESS), AND IT MUST BE OF HIGH TEMPERATURE RESISTANCE.

CONTACT NUMBER	PRODUCT DASH NUMBER			
	-1XX(X)	-2XX(X)	-3XX(X)	MATING SEQ.
1	VCC	VCC	VCC	2
2	- DATA	- DATA	- DATA	3
3	+ DATA	+ DATA	+ DATA	3
4	GROUND	GROUND	GROUND	2
5	12V GROUND	24V GROUND	5V GROUND	2
6	12V	24V	5V	3
7	12V	24V	5V	3
8	12V GROUND	24V GROUND	5V GROUND	2
SHELL	SHIELD	SHIELD	SHIELD	1

www.fciconnect.com		surface	tolerance std	projection	MM
		✓		⊕	←→
TOLERANCES UNLESS OTHERWISE SPECIFIED					
Dr	P. HSU	10/6/97	ANGULAR	0.X	±0.3
Eng	R. MACMULLIN	10/6/97	LINEAR	0.XX	±0.13
Chr	R. MACMULLIN	10/6/97	0° ±°	0.XXX	±0.051
Appr	R. MACMULLIN	10/6/97	Product family		Spec ref
FCI			PLUG KITS ASSEMBLY		dwg no
			USB+POWER		74233
catalog no			CUSTOMER		Rev. N
			sheet 2 of 3		

A

B

C

D

A

B

C

D

PRODUCT NUMBER (NOTE 4)	DESCRIPTION	VOLTAGE	PLUG HOUSING COLOR	CABLE OD	CURRENT RATING	COVER COLOR	REMARK
74233-100	KEY POSITION 1	12V	TEAL	5.80±0.25	3 AMPS	GRAY	NON LEAD FREE PART, NOT AVAILABLE
74233-100LF	KEY POSITION 1	12V	TEAL	5.80±0.25	3 AMPS	GRAY	LEAD FREE PART, SUBSTITUTE OF 74233-100
74233-1009LF	KEY POSITION 1	12V	TEAL	5.80±0.25	3 AMPS	BLACK	
74233-101	KEY POSITION 1	12V	TEAL	5.10±0.25	3 AMPS	GRAY	NON LEAD FREE PART, NOT AVAILABLE
74233-101LF	KEY POSITION 1	12V	TEAL	5.10±0.25	3 AMPS	GRAY	LEAD FREE PART, SUBSTITUTE OF 74233-101
74233-1019LF	KEY POSITION 1	12V	TEAL	5.10±0.25	3 AMPS	BLACK	
74233-102	KEY POSITION 1	12V	TEAL	6.60±0.25	3 AMPS	GRAY	NON LEAD FREE PART, NOT AVAILABLE
74233-102LF	KEY POSITION 1	12V	TEAL	6.60±0.25	3 AMPS	GRAY	LEAD FREE PART, SUBSTITUTE OF 74233-102
74233-1029LF	KEY POSITION 1	12V	TEAL	6.60±0.25	3 AMPS	BLACK	
74233-200	KEY POSITION 2	24V	RED	5.80±0.25	3 AMPS	GRAY	NON LEAD FREE PART, NOT AVAILABLE
74233-200LF	KEY POSITION 2	24V	RED	5.80±0.25	3 AMPS	GRAY	LEAD FREE PART, SUBSTITUTE OF 74233-200
74233-2009LF	KEY POSITION 2	24V	RED	5.80±0.25	3 AMPS	BLACK	
74233-201	KEY POSITION 2	24V	RED	5.10±0.25	3 AMPS	GRAY	NON LEAD FREE PART, NOT AVAILABLE
74233-201LF	KEY POSITION 2	24V	RED	5.10±0.25	3 AMPS	GRAY	LEAD FREE PART, SUBSTITUTE OF 74233-201
74233-2019LF	KEY POSITION 2	24V	RED	5.10±0.25	3 AMPS	BLACK	
74233-211	KEY POSITION 2	48V	RED	5.10±0.25	3 AMPS	GRAY	NON LEAD FREE PART, NOT AVAILABLE
74233-211LF	KEY POSITION 2	48V	RED	5.10±0.25	3 AMPS	GRAY	LEAD FREE PART, SUBSTITUTE OF 74233-211
74233-2119LF	KEY POSITION 2	48V	RED	5.10±0.25	3 AMPS	BLACK	
74233-202	KEY POSITION 2	24V	RED	6.60±0.25	3 AMPS	GRAY	NON LEAD FREE PART, NOT AVAILABLE
74233-202LF	KEY POSITION 2	24V	RED	6.60±0.25	3 AMPS	GRAY	LEAD FREE PART, SUBSTITUTE OF 74233-202
74233-2029LF	KEY POSITION 2	24V	RED	6.60±0.25	3 AMPS	BLACK	
74233-300	KEY POSITION 3	5V	*NATURAL	5.80±0.25	3 AMPS	GRAY	NON LEAD FREE PART, NOT AVAILABLE
74233-300LF	KEY POSITION 3	5V	*NATURAL	5.80±0.25	3 AMPS	GRAY	LEAD FREE PART, SUBSTITUTE OF 74233-300
74233-3009LF	KEY POSITION 3	5V	*NATURAL	5.80±0.25	3 AMPS	BLACK	
74233-301	KEY POSITION 3	5V	*NATURAL	5.10±0.25	3 AMPS	GRAY	NON LEAD FREE PART, NOT AVAILABLE
74233-301LF	KEY POSITION 3	5V	*NATURAL	5.10±0.25	3 AMPS	GRAY	LEAD FREE PART, SUBSTITUTE OF 74233-301
74233-3019LF	KEY POSITION 3	5V	*NATURAL	5.10±0.25	3 AMPS	BLACK	
74233-302	KEY POSITION 3	5V	*NATURAL	6.60±0.25	3 AMPS	GRAY	NON LEAD FREE PART, NOT AVAILABLE
74233-302LF	KEY POSITION 3	5V	*NATURAL	6.60±0.25	3 AMPS	GRAY	LEAD FREE PART, SUBSTITUTE OF 74233-302
74233-3029LF	KEY POSITION 3	5V	*NATURAL	6.60±0.25	3 AMPS	BLACK	

* NATURAL COLOR IS CREAM OFF WHITE

www.fciconnect.com		surface <input checked="" type="checkbox"/>	tolerance std	projection	MM
		TOLERANCES UNLESS OTHERWISE SPECIFIED			
Dr	P. HSU	10/6/97	ANGULAR	0.X	±0.3
Eng	R. MACMULLIN	10/6/97	LINEAR	0.XX	±0.13
Chr	R. MACMULLIN	10/6/97	0° ±°	0.XXX	±0.051
Appr	R. MACMULLIN	10/6/97	Product family		Spec ref
		title PLUG KITS ASSEMBLY		dwg no	74233
		USB+POWER		Rev.	N
		catalog no		CUSTOMER	sheet 3 of 3



Copyright FCI.