

Spezifikation für Freigabe / specification for release

Kunde / customer :

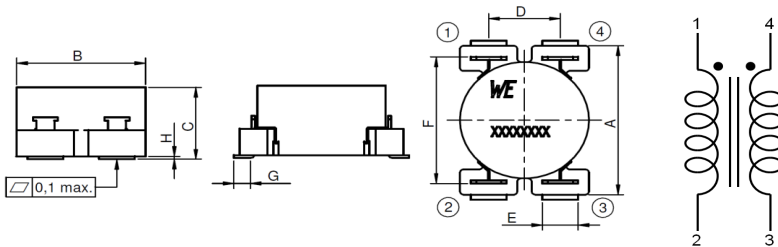
Artikelnummer / part number : **7446632003**



Bezeichnung : **STROMKOMPENSIERTE DROSSEL WE-LF SMD**
 description : **CURRENT-COMPENSATED CHOKE WE-LF SMD**

DATUM / DATE : 2010-05-17

A Mechanische Abmessungen / dimensions:

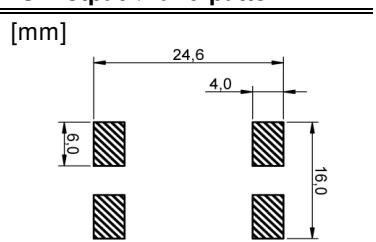


	Gehäuse / case: SH	
A	23,3 max.	mm
B	18,5 max.	mm
C	11,5 max.	mm
D	10,0 ± 0,2	mm
E	5,0 ± 0,2	mm
F	19,6 ± 0,3	mm
G	2,1 ± 0,1	mm
H	0,4 typ.	mm

B Elektrische Eigenschaften / electrical properties:

Eigenschaften / properties	Testbedingungen / test conditions		Wert / value	Einheit / unit	tol.
Leerlauf-Induktivität / inductance	10 kHz / 0,1 mA / 20 °C	L _O	3,30	mH	±30%
DC-Widerstand / DC-resistance	@ 20 °C	R _{DC}	0,15	Ω	max.
Nennstrom / rated current	@ 70 °C	I _N	1,50	A	max.
Nennspannung / rated voltage	50 Hz	U _N	250	V	

C Lötpad / land pattern.:



D Prüfgeräte / test equipment:

WAYNE KERR WK3260B/WK3265 für/for L₀ und/and R_{DC}
HP 34401 A für/for I_N

E Testbedingungen / test conditions:

Luftfeuchtigkeit / humidity: 33%
 Umgebungstemperatur / temperature: +20 °C
 Prüfspannung / testing voltage: 1500 V, 50 Hz
 5mA, 2 sec.

F Werkstoffe & Zulassungen / material & approvals:

Sockel / base: UL94 V-0
 Draht / wire: Class F
 Kleber / glue: UL94 HB
 Abstandhalter / spacer: UL94 V-0

G Eigenschaften / general specifications:

Klimabeständigkeit/ climatic class: 40/125/21
 Betriebstemp. / operating temperature: -40 °C - +125 °C
 Übertemperatur / temperature rise: < 55 K
 It is recommended that the temperature of the part does not exceed 125 °C under worst case operating conditions.

Freigabe erteilt / general release:	Kunde / customer		
		
Datum / date	Unterschrift / signature		
	Würth Elektronik		
		
Geprüft / checked	Kontrolliert / approved		
	Name	Änderung / modification	Datum / date
	SBa	Version 2	2010-05-17
	BKo	Version 1	2009-02-17

This electronic component is designed and developed with the intention for use in general electronics equipments. Before incorporating the components into any equipments in the field such as aerospace, aviation, nuclear control, submarine, transportation, (automotive control, train control, ship control), transportation signal, disaster prevention, medical, public information network etc. where higher safety and reliability are especially required or if there is possibility of direct damage or injury to human body. In addition, even electronic component in general electronic equipments, when used in electrical circuits that require high safety, reliability functions or performance, the sufficient reliability evaluation-check for the safety must be performed before use. It is essential to give consideration when to install a protective circuit at the design stage.

Würth Elektronik eiSos GmbH & Co. KG

D-74638 Waldenburg · Max-Eyth-Strasse 1 - 3 · Germany · Telefon (+49) (0) 7942 - 945 - 0 · Telefax (+49) (0) 7942 - 945 - 400
<http://www.we-online.com>

Spezifikation für Freigabe / specification for release

Kunde / customer :

Artikelnummer / part number : **7446632003**



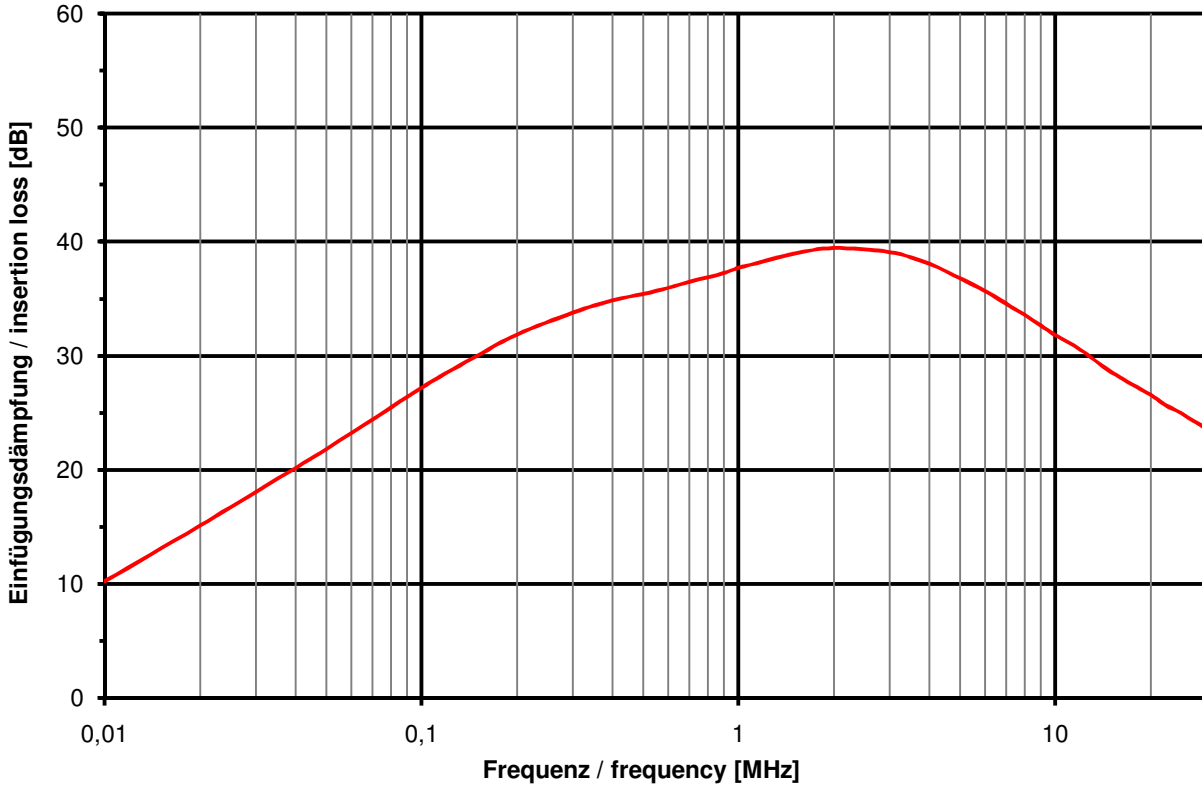
Bezeichnung : **STROMKOMPENSIERTE DROSSEL WE-LF SMD**

description : **CURRENT-COMPENSATED CHOKE WE-LF SMD**

DATUM / DATE : 2010-05-17

H Einfügdämpfung / insertion loss:

typischer Dämpfungsverlauf / typical attenuation curve



Freigabe erteilt / general release:	Kunde / customer			
.....			
Datum / date	Unterschrift / signature			
	Würth Elektronik			
.....	SBa	Version 2	2010-05-17
		BKo	Version 1	2009-02-17
Geprüft / checked	Kontrolliert / approved	Name	Änderung / modification	Datum / date

This electronic component is designed and developed with the intention for use in general electronics equipments. Before incorporating the components into any equipments in the field such as aerospace, aviation, nuclear control, submarine, transportation, (automotive control, train control, ship control), transportation signal, disaster prevention, medical, public information network etc. where higher safety and reliability are especially required or if there is possibility of direct damage or injury to human body. In addition, even electronic component in general electronic equipments, when used in electrical circuits that require high safety, reliability functions or performance, the sufficient reliability evaluation-check for the safety must be performed before use. It is essential to give consideration when to install a protective circuit at the design stage.

Würth Elektronik eiSos GmbH & Co. KG

D-74638 Waldenburg · Max-Eyth-Strasse 1 - 3 · Germany · Telefon (+49) (0) 7942 - 945 - 0 · Telefax (+49) (0) 7942 - 945 - 400
<http://www.we-online.com>

Spezifikation für Freigabe / specification for release

Kunde / customer :

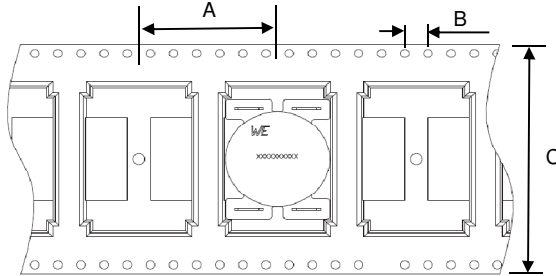
Artikelnummer / part number : **7446632003**



Bezeichnung : **STROMKOMPENSIERTE DROSSEL WE-LF SMD**
 description : **CURRENT-COMPENSATED CHOKE WE-LF SMD**

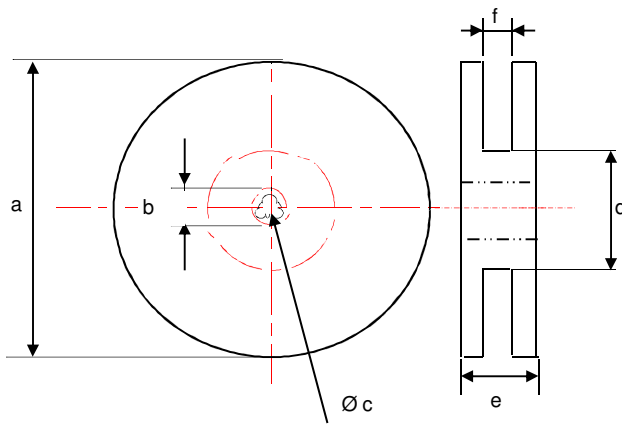
DATUM / DATE : 2010-05-17

I Rollenspezifikation / tape and reel specification:



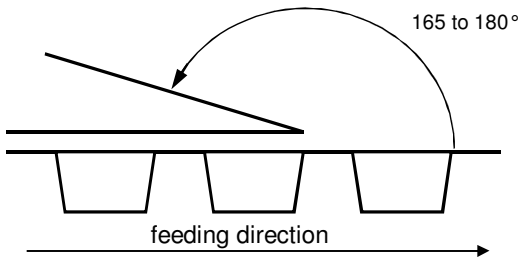
Gurtspezifikation / Tape specification:

A	24	mm
B	4	mm
C	44	mm



Rollenspezifikation / Reel specification:

a	330 ± 2,0	mm
b	21 ± 0,8	mm
c	13 ± 0,5	mm
d	150 ± 1,0	mm
e	48,4	mm
f	44	mm



The force for tearing off cover tape is 10 to 130 grams in arrow direction

Freigabe erteilt / general release:	Kunde / customer		
Datum / date	Unterschrift / signature		
	Würth Elektronik		
Geprüft / checked	Kontrolliert / approved		
	SBa	Version 2	2010-05-17
	BKo	Version 1	2009-02-17
	Name	Änderung / modification	Datum / date

This electronic component is designed and developed with the intention for use in general electronics equipments. Before incorporating the components into any equipments in the field such as aerospace, aviation, nuclear control, submarine, transportation, (automotive control, train control, ship control), transportation signal, disaster prevention, medical, public information network etc. where higher safety and reliability are especially required or if there is possibility of direct damage or injury to human body. In addition, even electronic component in general electronic equipments, when used in electrical circuits that require high safety, reliability functions or performance, the sufficient reliability evaluation-check for the safety must be performed before use. It is essential to give consideration when to install a protective circuit at the design stage.

Würth Elektronik eiSos GmbH & Co. KG

D-74638 Waldenburg · Max-Eyth-Strasse 1 - 3 · Germany · Telefon (+49) (0) 7942 - 945 - 0 · Telefax (+49) (0) 7942 - 945 - 400
<http://www.we-online.com>