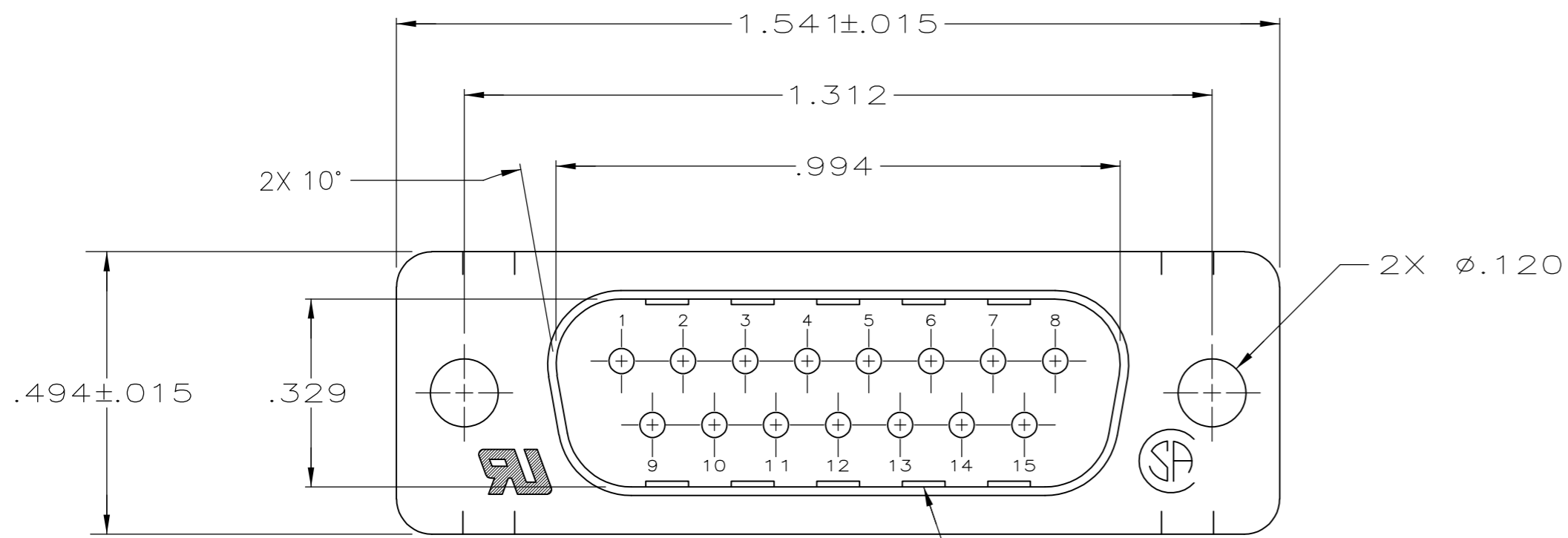
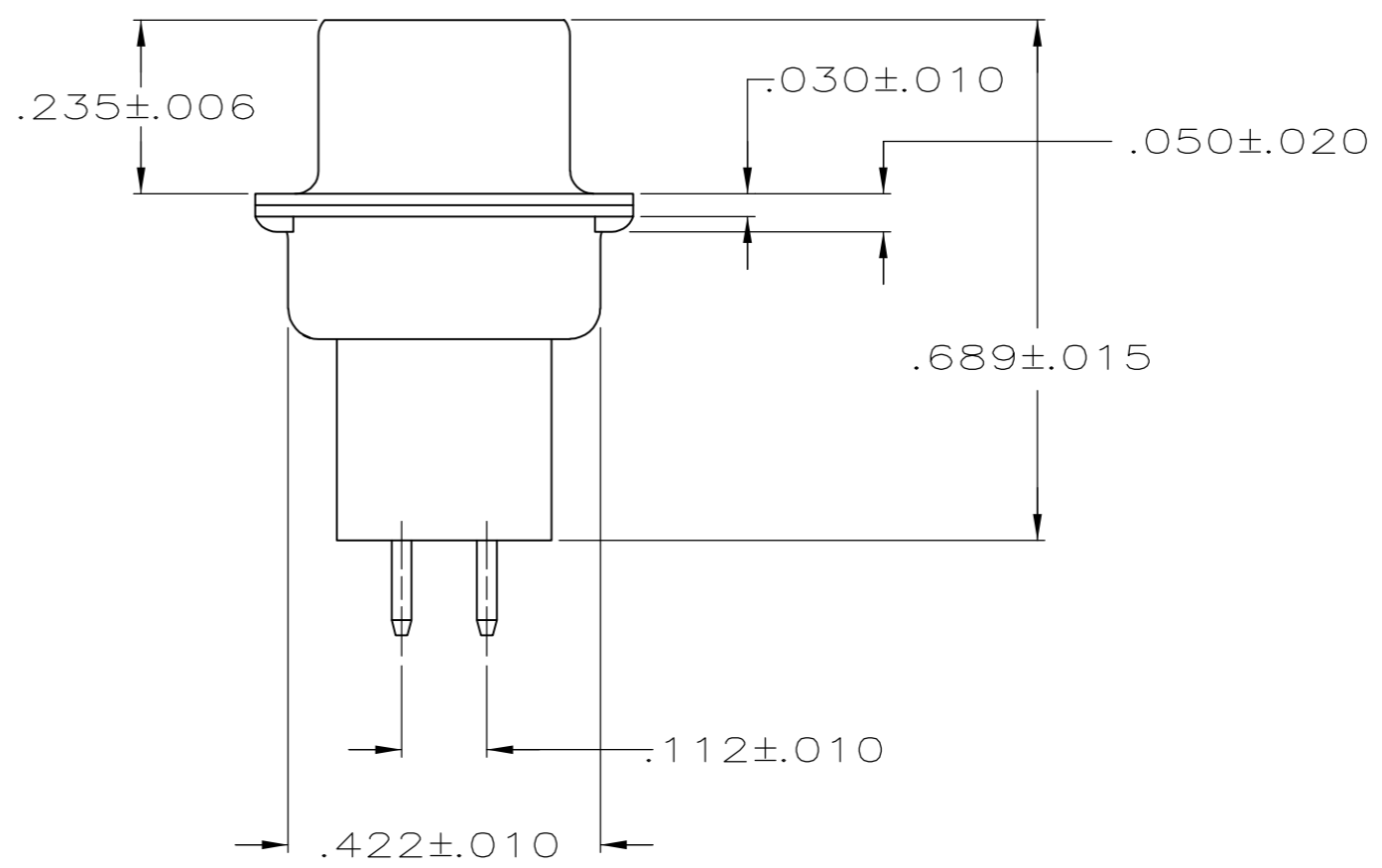
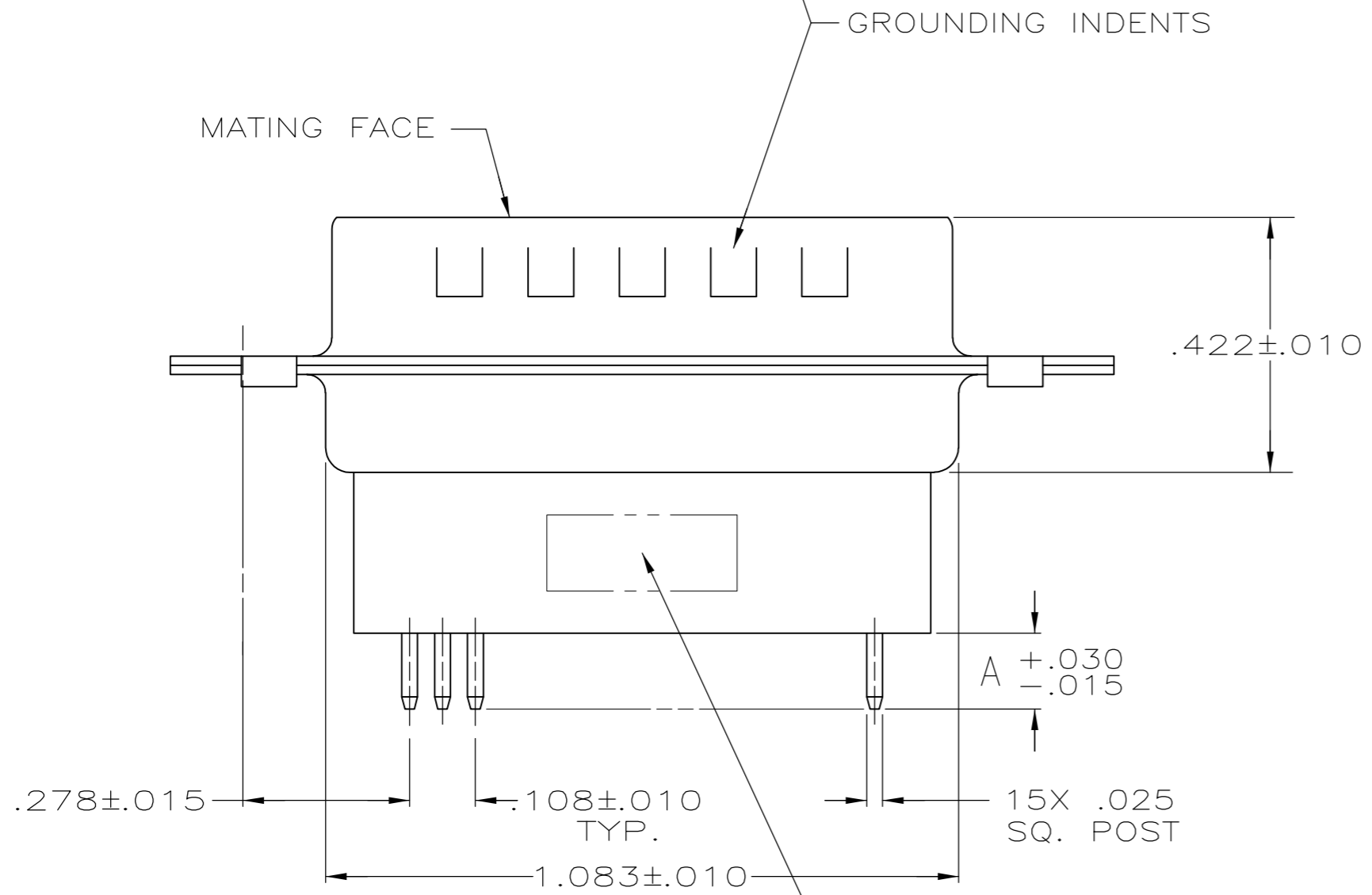


THIS DRAWING IS UNPUBLISHED. RELEASED FOR PUBLICATION
 © COPYRIGHT BY TYCO ELECTRONICS CORPORATION. ALL RIGHTS RESERVED.

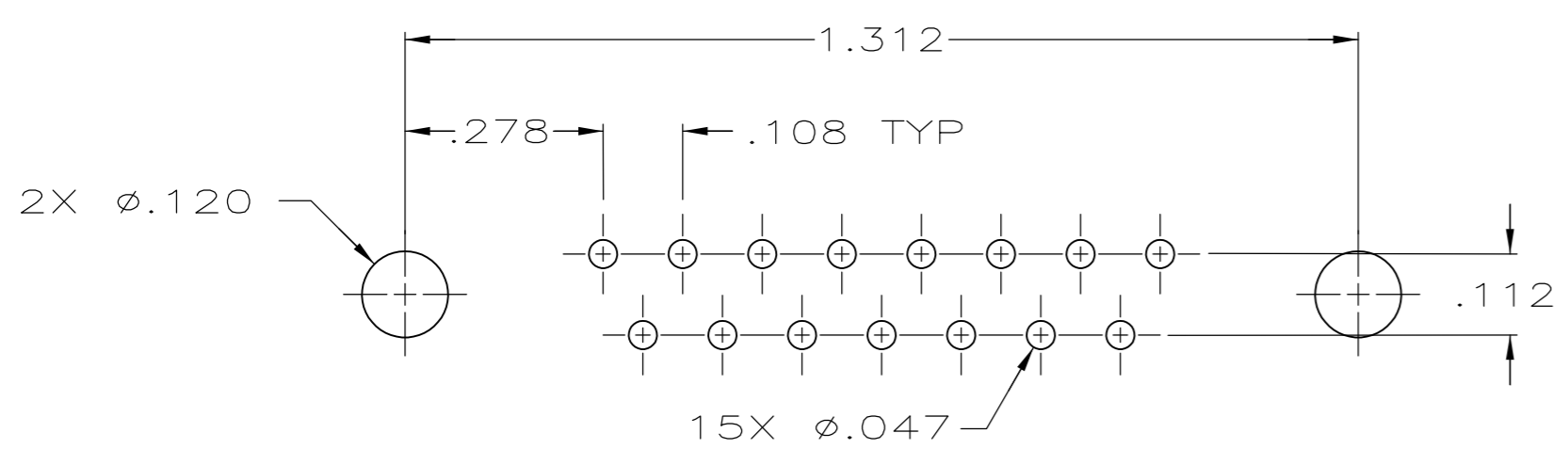
LOC	DIST	REVISIONS					
GP	00	P	LTR	DESCRIPTION	DATE	DWN	APVD
		J		REVISED PER ECO-10-000073	18FEB2010	CJV	SB



- 1. NOTE DELETED.
- 2. MOLDED PARTS: FLAME RETARDANT 94V-0 RATED THERMOPLASTIC; COLOR, BLACK
CONTACT: BRASS
SHELLS: STEEL
- 3. GOLD FLASH FOR A LENGTH OF .150 MIN FROM MATING END .000100 MIN TIN-LEAD ON OPPOSITE END, ALL OVER .000050 MIN NICKEL.
- 4. GOLD PLATED FOR A LENGTH OF .150 FROM MATING END, .000030 MIN GOLD IN MATED AREA, .000100 MIN TIN-LEAD ON OPPOSITE END, ALL OVER .000050 MIN NICKEL.
-OR-
GOLD FLASH OVER PALLADIUM-NICKEL PLATED FOR LENGTH OF .150 MIN FROM MATING END, .000030 MIN TOTAL IN MATED AREA, .000100 MIN TIN-LEAD ON OPPOSITE END, ALL OVER .000050 MIN NICKEL.
- 5. .000200 MIN TIN OVER .000100 MIN COPPER.



"AMP", PART NO. & DATE CODE, STAMPED IN AREA INDICATED, ON FAR SIDE



P.C. BOARD MOUNTING DIMENSIONS

SUPSD BY	CONTACT FINISH	DIMENSION A	PART NUMBER
745411-1	3	.188	745411-8
745411-1	4	.188	745411-7
OBSOLETE	3	.651	745411-6
OBSOLETE	4	.651	745411-5
OBSOLETE	3	.427	745411-4
OBSOLETE	4	.427	745411-3
745411-1	3	.125	745411-2
	4	.125	745411-1

THIS DRAWING IS A CONTROLLED DOCUMENT.		DWN J. GERACE 10-25-83	Tyco Electronics Corporation Harrisburg, PA 17105-3608
DIMENSIONS: INCHES		CHK J. GERACE 10-25-83	
TOLERANCES UNLESS OTHERWISE SPECIFIED:		APVD B. TAYLOR 1-4-84	NAME
0 PLC ± -		PRODUCT SPEC	PLUG ASSEMBLY, SIZE 2, 15 POS, VERTICAL, W/ GROUNDING INDENTS, AMPLIMITE
1 PLC ± -		APPLICATION SPEC	SIZE
2 PLC ± .005		114-40013	CAGE CODE
3 PLC ± -		WEIGHT	DRAWING NO
4 PLC ± -			RESTRICTED TO
ANGLES ± 2°			A2 00779 C=745411
FINISH		CUSTOMER DRAWING	SCALE
SHELLS: 5			NTS
CONTACTS: SEE TABLE			SHEET 1 of 1
			REV J