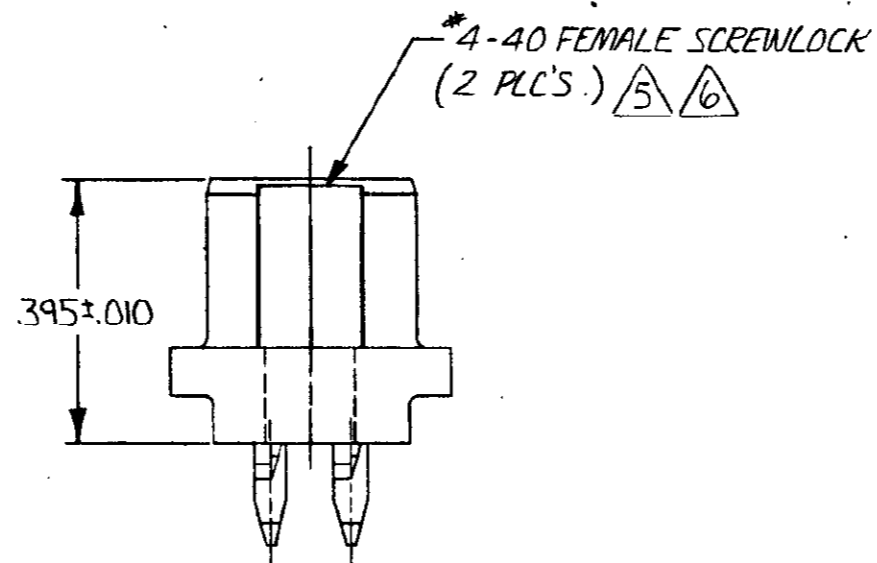
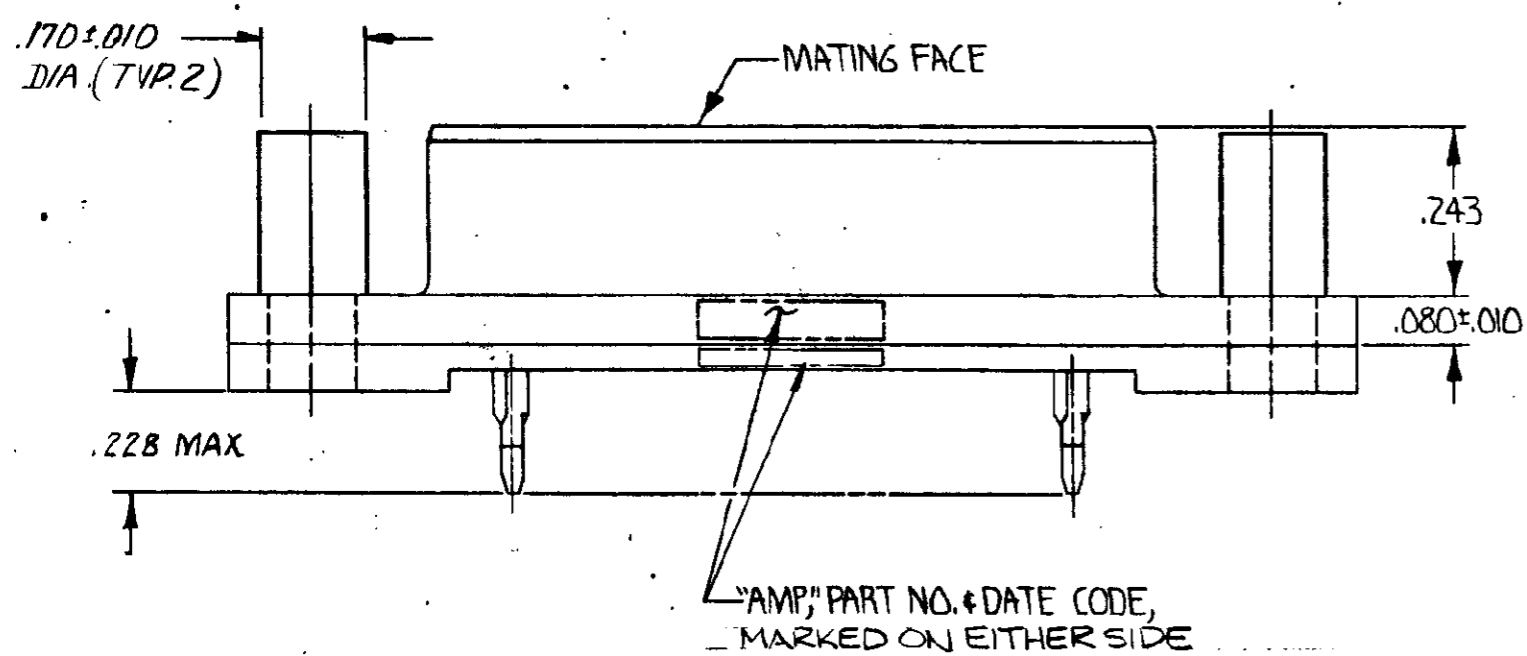
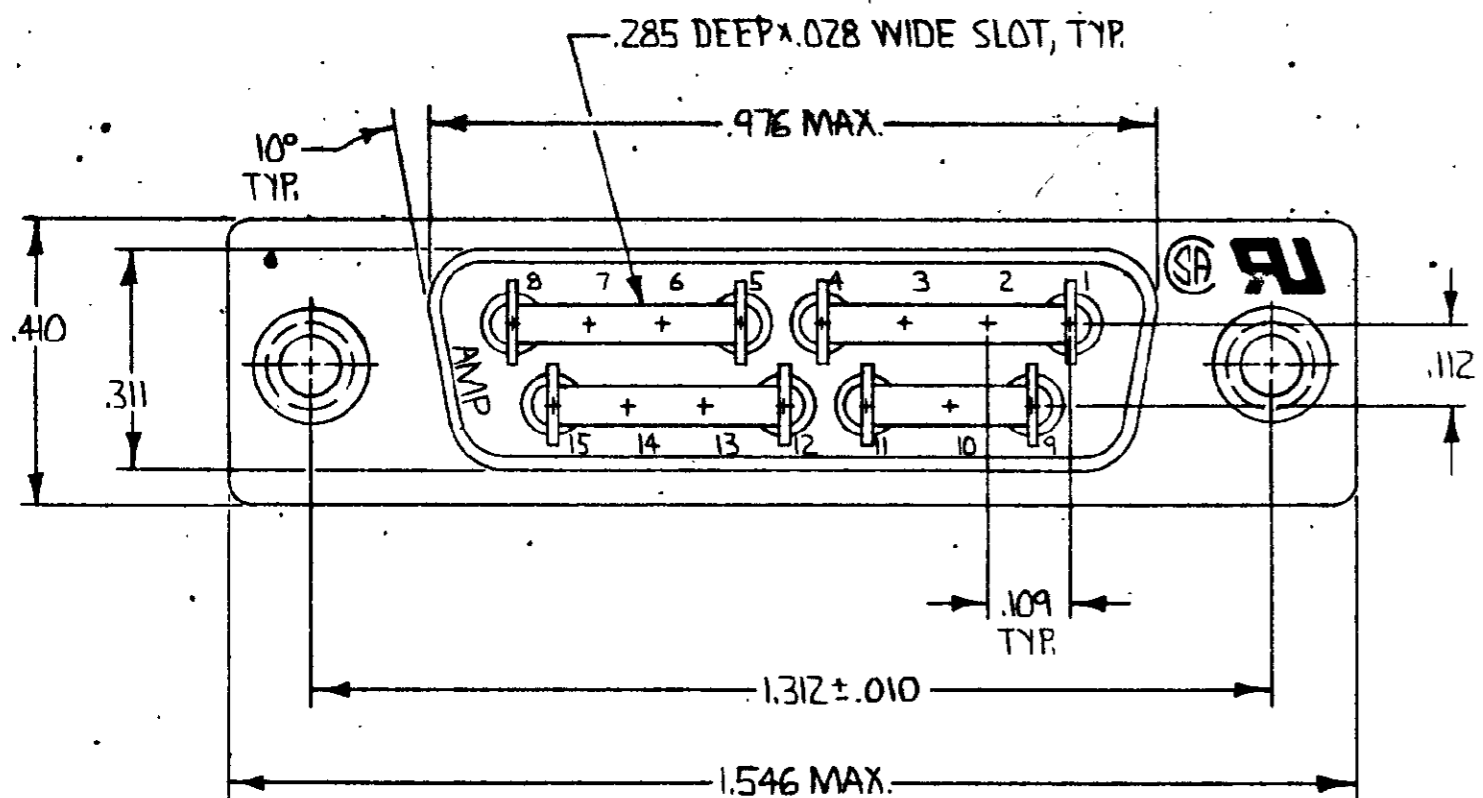
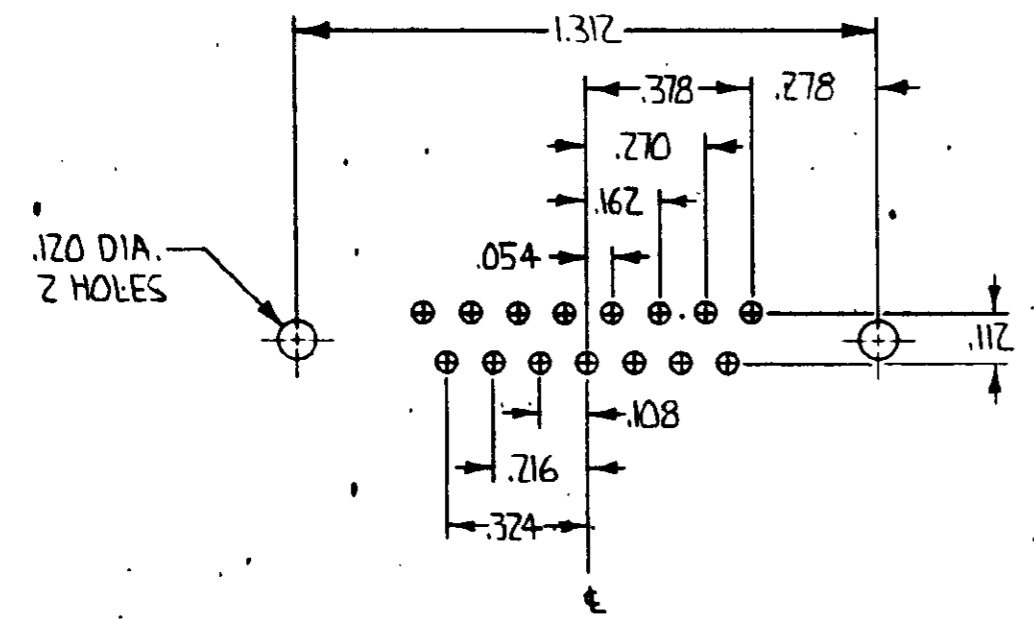


© COPYRIGHT 1981, 82 BY AMP INCORPORATED, HARRISBURG, PA.
 ALL INTERNATIONAL RIGHTS RESERVED. AMP INCORPORATED PRODUCTS
 COVERED BY U. S. AND FOREIGN PATENTS AND/OR PATENTS PENDING.

LOC	DIST
GP	00
REV	REVISION RECORD
DATE	DWN
APVD	



- △ P.C. BOARD RECOMMENDATIONS:
- A. HOLES SHOULD BE DRILLED WITH A 1.15 MM DRILL.
 - B. MINIMUM P.C.B. TIN/LEAD PLATING TO BE .0003 THICK OVER .002 ± .001 THICK COPPER.
 - C. RECOMMENDED HOLE SIZE AFTER TIN/LEAD PLATING IS .037 TO .043 FOR P.C.B. .093 TO .125 THICK.
 - D. IF HOLE IS REFLOWED AFTER PLATING, DIA. TO BE .036 TO .043.
 - △ GOLD PLATING PER MIL-G-45204, NICKEL PLATING PER QQ-N-290.
 - △ DUPLEX PLATED: GOLD FLASH ON MATING SURFACE, BRIGHT TIN OR BRIGHT TIN LEAD ON COMPLIANT PIN, ALL OVER NICKEL.
 - △ DUPLEX PLATED: .000030 GOLD ON MATING SURFACE, BRIGHT TIN OR BRIGHT TIN LEAD ON COMPLIANT PIN, ALL OVER NICKEL.
 - △ 5 SCREWLOCKS WILL WITHSTAND 20 LBS. PULL-OUT FORCE & 4 IN.-LBS. TORQUE FROM MATING FACE SIDE.
 - △ 6 SCREWLOCKS TO BE FLUSH ^{+ .000} TO MATING FACE _{-.015}.



RECOMMENDED P.C. BOARD HOLE LAYOUT △

△ 4	745456-2
△ 3	745456-1
FINISH △	PART NO

SUPERSEDED BY 745456-2

UNLESS OTHERWISE SPECIFIED DIMENSIONS ARE IN INCHES. TOLERANCES ON: DECIMALS ± .005 ANGLES ± 2°	CONTRACT NO	AMP AMP INCORPORATED Harrisburg, Pa.	
	DR <i>S. Weldon</i> 4-3-81		
MATERIAL HOUSING: FLAME RETARDANT 94V-0 RATED THERMOPLASTIC; COLOR: BLACK CONTACTS: COPPER ALLOY SCREWLOCKS: BRASS	CRK <i>[Signature]</i> 4-8-81	NAME RECEPTACLE ASSEMBLY, SIZE #2, 15 POSITION, AMPLIMITE HDR, LOW PROFILE, W/ACTION PIN .CONTACTS & FEMALE SCREWLOCKS (.093/.125)	
	APPR <i>[Signature]</i> 4-8-81	DRAWING NO 745456	
FINISH CONTACTS: SEE TABLE SCREWLOCKS: NICKEL PLATED	APPD <i>[Signature]</i> 4-8-81	SIZE CODE IDENT NO C 00779	DRAWING NO 745456
	DSGN APPD	SCALE	SHEET 1 OF 1
	OTHER APPD		