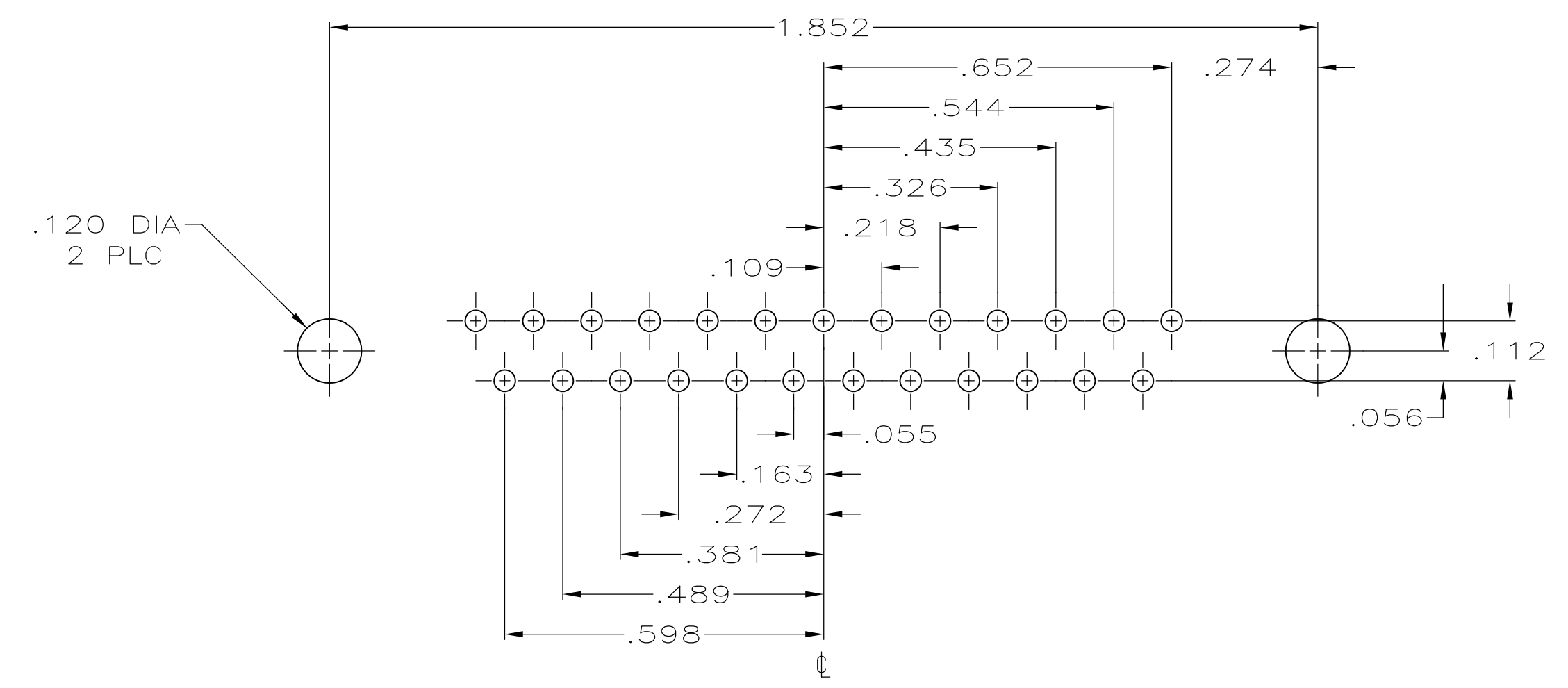
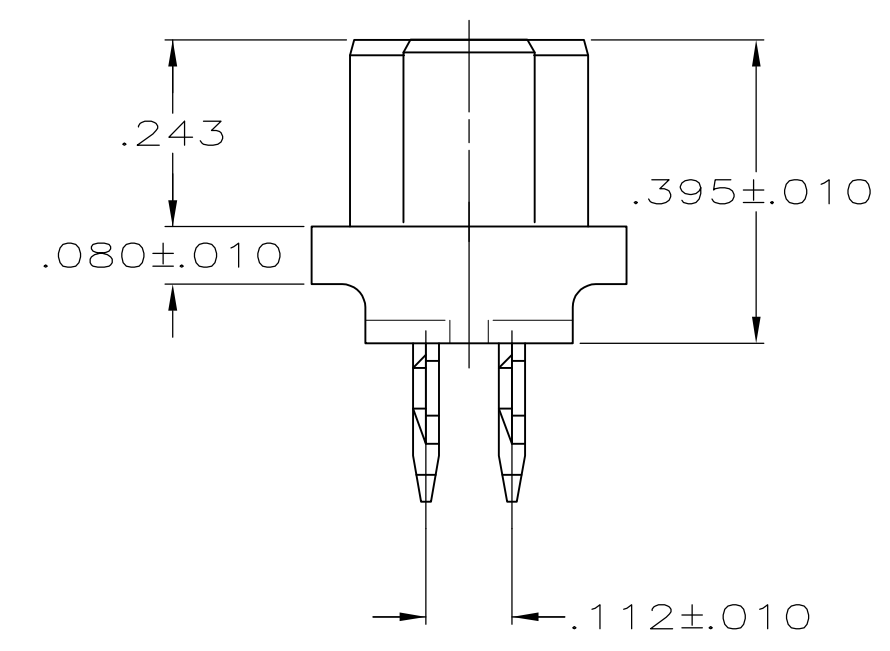
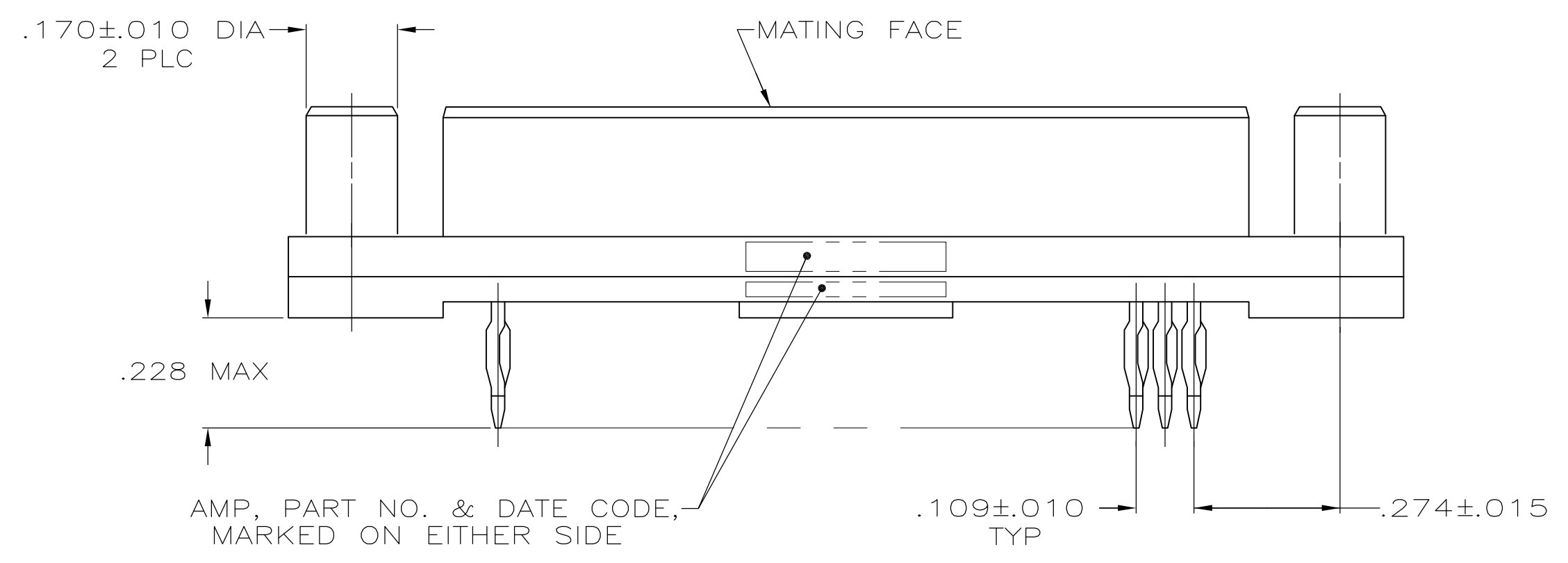
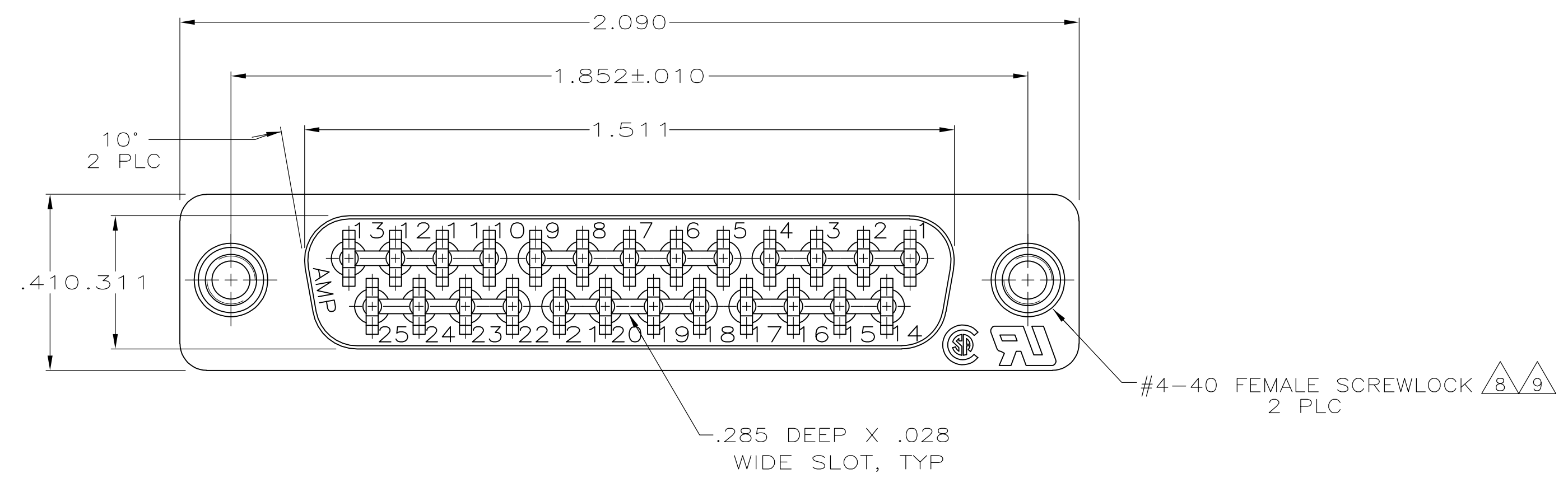


LOC		DIST		REVISIONS			
F	LTR	DESCRIPTION	DATE	DMN	APVD		
F		REVISED PER ECO-10-019804	29OCT10	HMR	JL		



P.C. BOARD MOUNTING DIMENSIONS $\triangle 1$

- $\triangle 1$ P.C. BOARD RECOMMENDATIONS:
 A. HOLES SHOULD BE DRILLED WITH A 1.15 MM DRILL.
 B. MINIMUM P.C.B. TIN-LEAD PLATING TO BE .000300 THICK OVER .002±.001 THICK COPPER.
 C. RECOMMENDED HOLE SIZE AFTER TIN-LEAD PLATING IS .037 TO .043 DIA.
 D. IF HOLE IS REFLOWED AFTER PLATING, DIA TO BE .036 TO .043.
- $\triangle 2$ FLAME RETARDANT, 94V-0 RATED, GLASS FILLED, NYLON OR POLYESTER, COLOR: BLACK.
- $\triangle 3$ COPPER ALLOY
- $\triangle 4$ BRASS
- $\triangle 5$ 0.76 MICRO METERS [.000030] MINIMUM GOLD IN MATING AREA.
 2.54 MICRO METERS [.000100] MINIMUM TIN OR TIN-LEAD ON COMPLIANT PIN.
 ALL OVER 1.27 MICRO METERS [.000050] MINIMUM NICKEL.
- $\triangle 6$ 0.76 MICRO METERS [.000030] MINIMUM GOLD IN MATING AREA.
 2.54 MICRO METERS [.000100] MINIMUM TIN OR TIN-LEAD ON COMPLIANT PIN.
 ALL OVER 1.27 MICRO METERS [.000050] MINIMUM NICKEL.
 OR
 GOLD FLASH OVER PALLADIUM NICKEL.
 0.76 MICRO METERS [.000030] MINIMUM TOTAL IN MATING AREA.
 2.54 MICRO METERS [.000100] MINIMUM TIN OR TIN-LEAD ON COMPLIANT PIN.
 ALL OVER 1.27 MICRO METERS [.000050] MINIMUM NICKEL.
- $\triangle 7$ SCREWLOCKS: NICKEL PLATED.
- $\triangle 8$ SCREWLOCKS MUST WITHSTAND 4 INCH-LBS TORQUE AND 20 LBS PULL OUT FORCE FROM MATING FACE SIDE.
- $\triangle 9$ SCREWLOCKS MUST BE FLUSH TO .015 BELOW MATING FACE.

$\triangle 6$	745458-2
$\triangle 5$	745458-1
CONTACT FINISH	PART NUMBER

THIS DRAWING IS A CONTROLLED DOCUMENT.		DMN W. LENKER 5-31-88	Tyco Electronics Corporation Harrisburg, PA 17105-3608	
DIMENSIONS: INCHES		CHK S. WELDON 6-1-88	NAME RECEPTACLE ASSEMBLY, SIZE 3, 25 POSITION, WITH ACTION PIN CONTACTS & SCREWLOCKS.	
TOLERANCES UNLESS OTHERWISE SPECIFIED:		APVD	PRODUCT SPEC	
0 PLC ± -		APPLICATION SPEC		
1 PLC ± -		SIZE		
2 PLC ± -		CAGE CODE		
3 PLC ± .005		DRAWING NO		
4 PLC ± -		RESTRICTED TO		
ANGLES ± -		A1 00779 C=745458		
FINISH		WEIGHT		
$\triangle 2 \triangle 3 \triangle 4$		CUSTOMER DRAWING		
		SCALE 4:1 SHEET 1 OF 1 REV F		