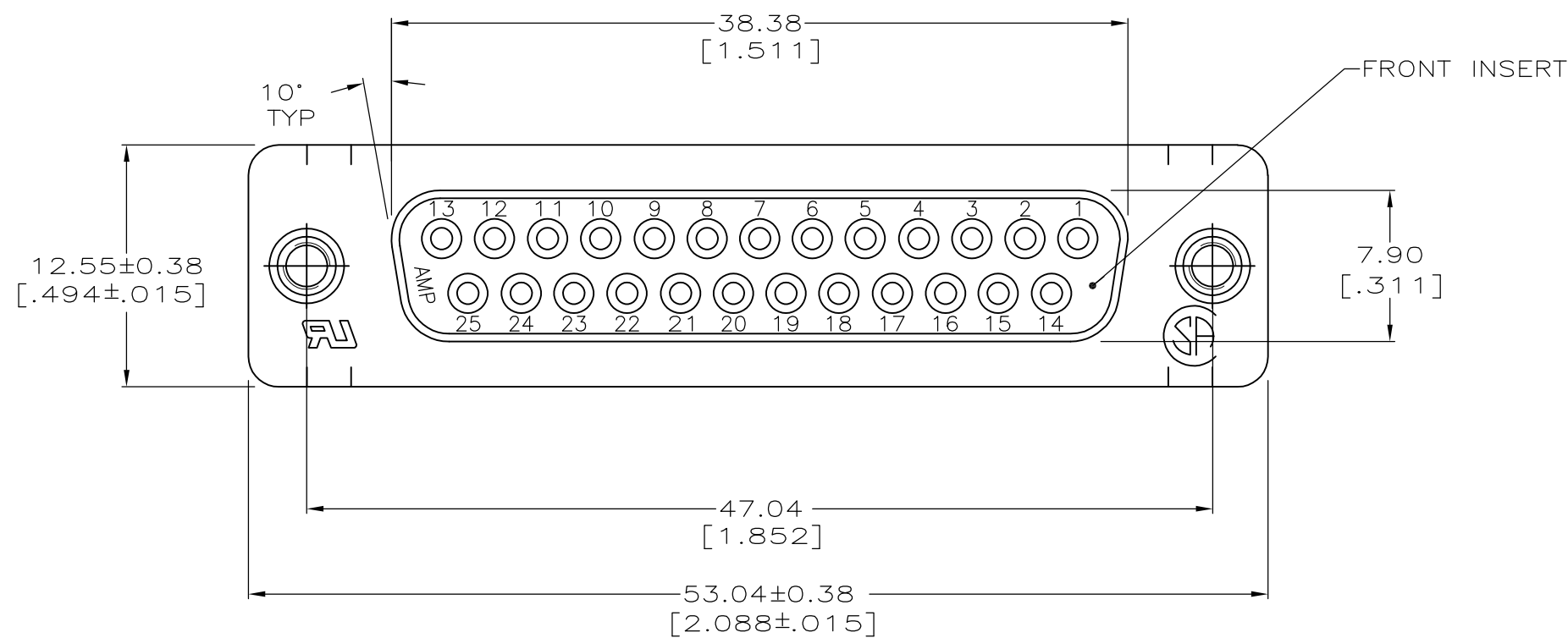
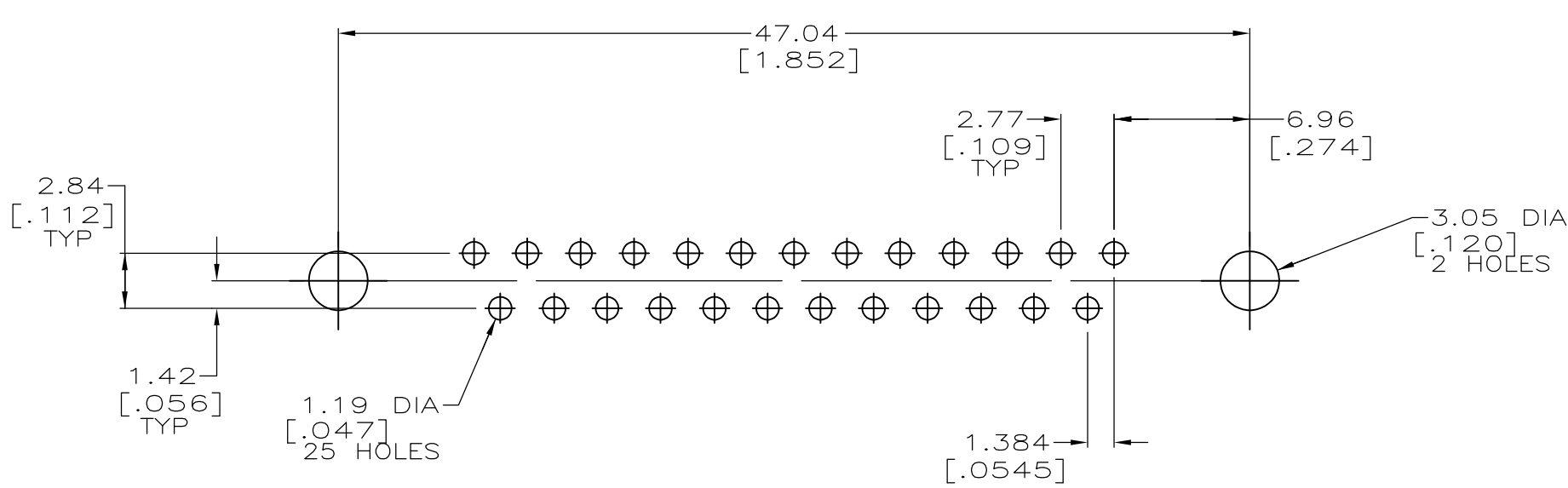
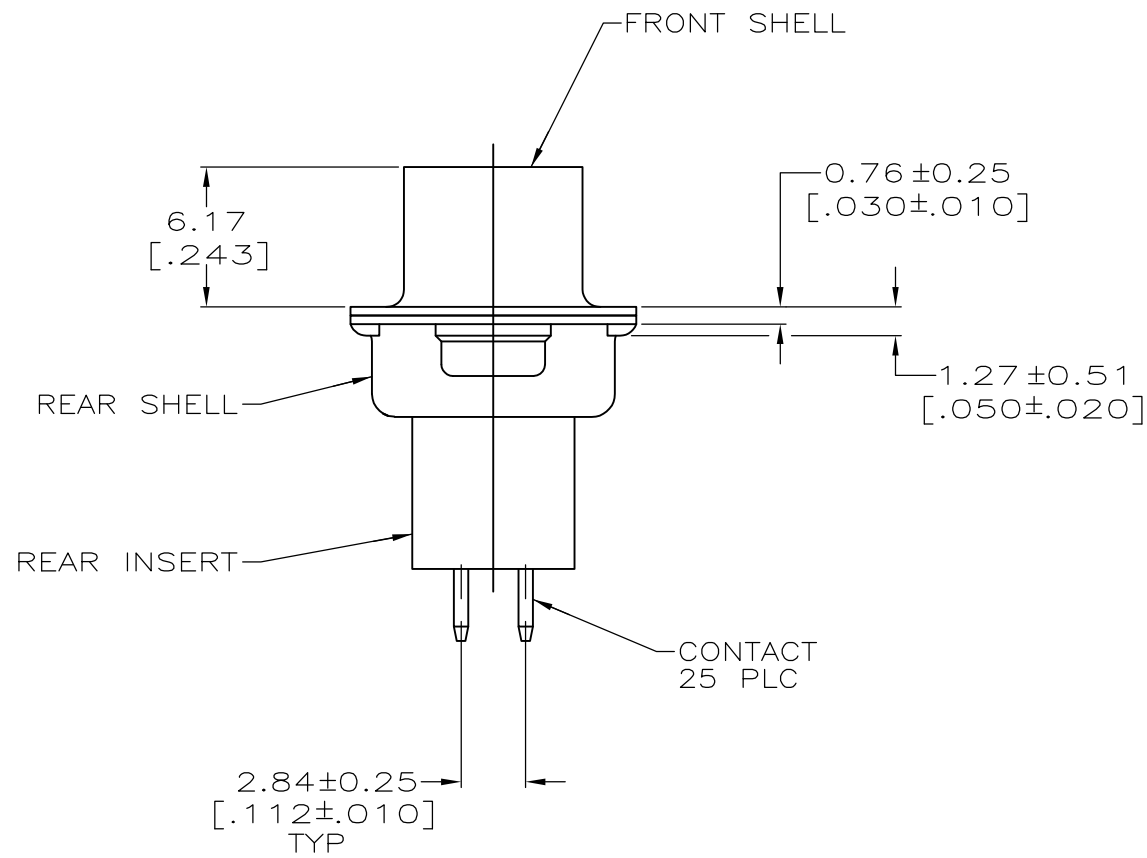
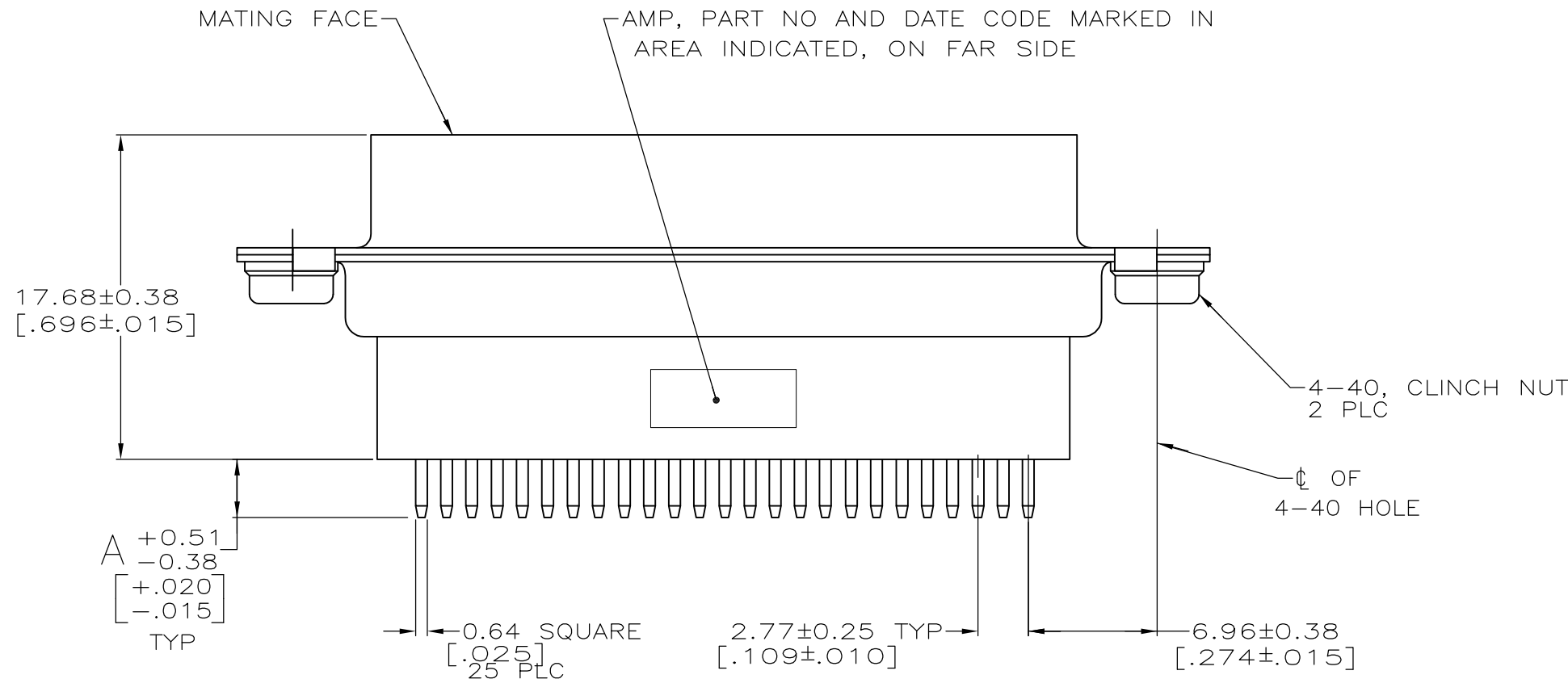


THIS DRAWING IS UNPUBLISHED. RELEASED FOR PUBLICATION  
 © COPYRIGHT BY TYCO ELECTRONICS CORPORATION. ALL RIGHTS RESERVED.

LOC		DIST		REVISIONS			
P	LTR	DESCRIPTION		DATE	DWN	APVD	
GP	00	T		REVISED PER ECO-10-000073	15FEB2010	CR SB	



- 1 INSERTS: BLACK NYLON, UL 94V-0 RATED;  
CONTACTS: PHOSPHOR BRONZE  
SHELLS: CARBON STEEL  
CLINCH NUT: CARBON STEEL
- 2 GOLD FLASH FOR LENGTH OF 2.54 [.100] MIN FROM MATING END, 2.54µm [.000100] MIN TIN OR TIN-LEAD FOR A LENGTH OF DIMENSION A FROM OPPOSITE END, BOTH OVER 1.27µm [.000050] MIN NICKEL.
- 3 0.76µm [.000030] MIN GOLD FOR LENGTH OF 2.54 [.100] MIN FROM MATING END, 2.54µm [.000100] MIN TIN OR TIN-LEAD FOR A LENGTH OF DIMENSION A FROM OPPOSITE END, BOTH OVER 1.27µm [.000050] MIN NICKEL.  
-OR-  
GOLD FLASH OVER PALLADIUM-NICKEL, 0.76µm [.000030] MIN TOTAL FOR A LENGTH OF 2.54 [.100] MIN FROM MATING END, 2.54µm [.000100] MIN TIN OR TIN-LEAD FOR A LENGTH OF DIMENSION A FROM OPPOSITE END, BOTH OVER 1.27µm [.000050] MIN NICKEL.
- 4 SHELLS: 5.08µm [.000200] MIN TIN OVER 2.54µm [.000100] MIN COPPER  
CLINCH NUT: ZINC



RECOMMENDED PC BOARD MOUNTING DIMENSIONS

	OBsolete	Dimension A	Contact Finish	Part Number
	OBsolete	3.18 [.125]	3	745886-9
SUPSD BY 745886-1	4.78 [.188]	3 2		745886-8
SUPSD BY 745886-1	4.78 [.188]	3		745886-7
OBsolete	16.54 [.651]	3 2		745886-6
OBsolete	16.54 [.651]	3		745886-5
OBsolete	10.85 [.427]	3 2		745886-4
OBsolete	10.85 [.427]	3		745886-3
	3.18 [.125]	3 2		745886-2
	3.18 [.125]	3		745886-1

THIS DRAWING IS A CONTROLLED DOCUMENT.		DWN J McCLINTON 12-5-89	Tyco Electronics Corporation Harrisburg, PA 17105-3608	
DIMENSIONS: mm [INCHES]		CHK R. STONE 2-1-90	NAME	
TOLERANCES UNLESS OTHERWISE SPECIFIED:		APVD -	PRODUCT SPEC	
0 PLC ± -	1 PLC ± -	APPLICATION SPEC	108-40025	
2 PLC ± 0.13 [.005]	3 PLC ± -	WEIGHT	114-40013	
4 PLC ± -	ANGLES ± -	SCALE	A2 00779 C=745886	
MATERIAL 1	FINISH 4	CUSTOMER DRAWING	SIZE	RESTRICTED TO
CONTACTS: SEE TABLE		SCALE 3:1	SHEET 1 OF 1	REV T