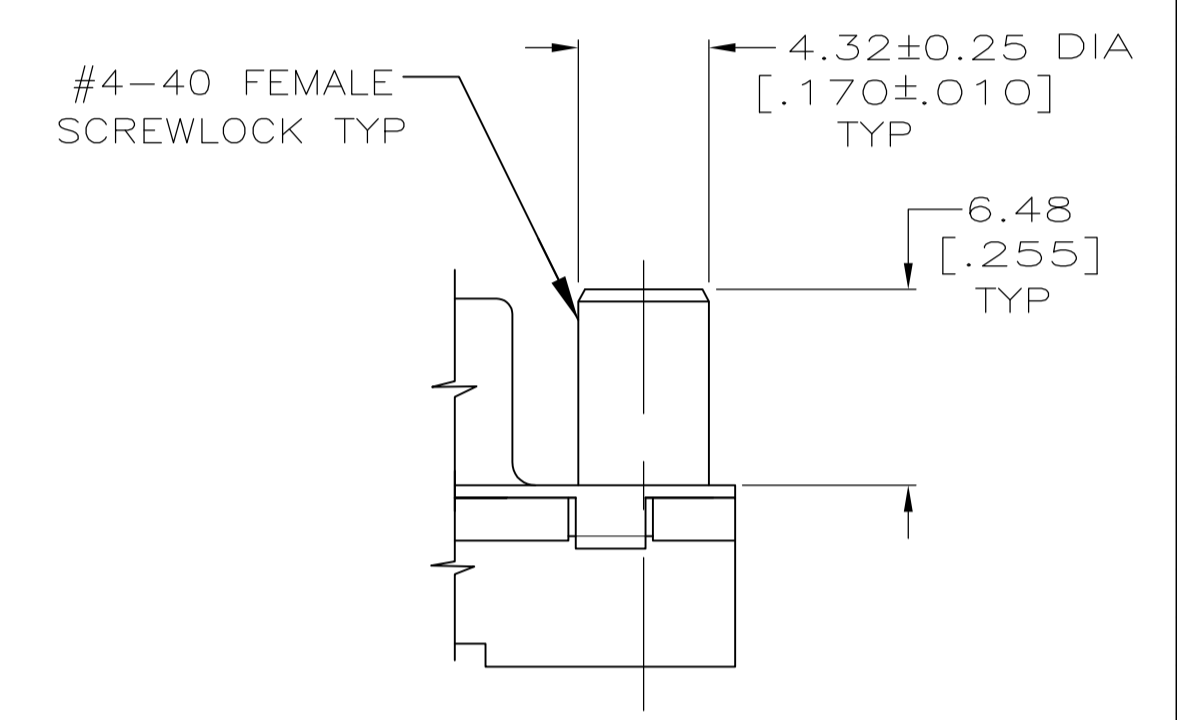
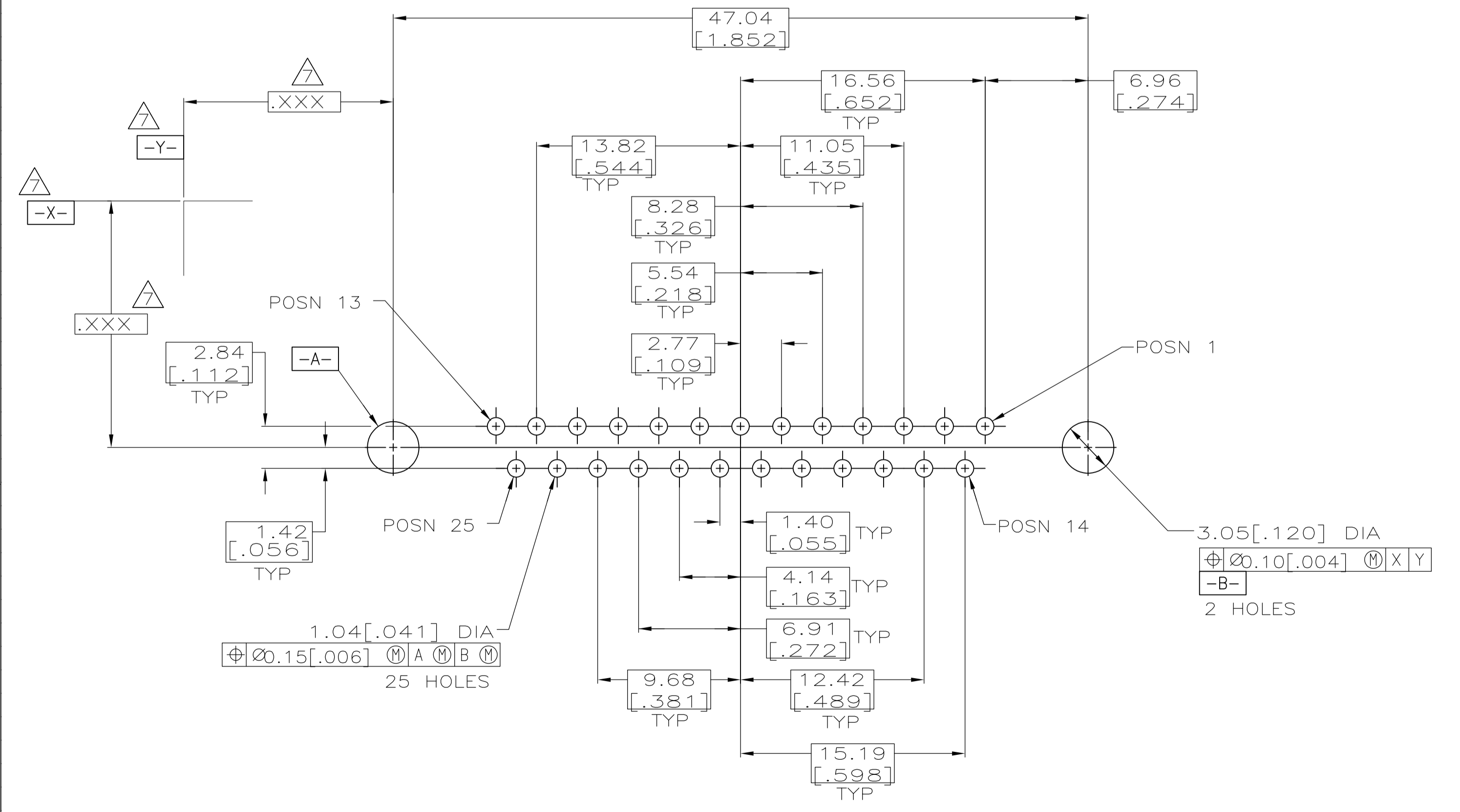


DETAIL D



DETAIL E



RECOMMENDED PC BOARD MOUNTING DIMENSIONS

- ① HOUSING; POLYESTER, UL 94V-0 RATED, BLACK.
- ② SHELL; CARBON STEEL.
- ③ SHELL; 5.08um [.000200] MIN TIN OVER 2.54um [.000100] MIN COPPER.
- ④ GOLD FLASH FOR A LENGTH OF 2.54[.100] MIN FROM MATING END, 2.54um [.000100] MIN TIN OR TIN-LEAD ON OPPOSITE END, BOTH OVER 1.27um [.000050] MIN NICKEL.
- ⑤ 0.76um [.000030] MIN GOLD FOR A LENGTH OF 2.54 [.100] MIN FROM MATING END, 2.54um [.000100] MIN TIN OR TIN-LEAD ON OPPOSITE END, BOTH OVER 1.27um [.000050] MIN NICKEL.
- 6. NOTE DELETED.
- ⑦ DATUMS AND BASIC DIMENSIONS ESTABLISHED BY CUSTOMER.
- ⑧ 2.79[.110] MAX IN SHELL TAB CLINCH AREAS.
- ⑨ OBSOLETE PART NUMBER.
- ⑩ SUPERSEDED BY 745967-2.
- ⑪ SUPERSEDED BY 745967-4.
- ⑫ SUPERSEDED BY 1-745967-4.
- ⑬ SUPERSEDED BY 745967-7.
- ⑭ CONTACTS: POSPHOR BRONZE.
- ⑮ SCREWLOCKS: ZINC.
- ⑯ INSERTS: BRASS.

W/THREADED INSERTS PER DETAIL D	⑤	1.27 [.050]	⑨ 1-745967-9
W/FEMALE SCREWLOCKS PER DETAIL E	⑤	4.32 [.170]	⑨ 1-745967-6
	④	4.32 [.170]	⑨ 1-745967-5
	⑤	3.18 [.125]	1-745967-4
W/THREADED INSERTS PER DETAIL D	④	3.18 [.125]	⑫ 1-745967-3
	④	6.35 [.250]	⑨ 1-745967-1
	⑤	4.32 [.170]	1-745967-0
W/O FEMALE SCREWLOCKS OR THREADED INSERTS AS SHOWN	④	3.18 [.125]	745967-8
	④	3.18 [.125]	745967-7
	⑤	6.35 [.250]	⑨ 745967-6
HARDWARE OPTIONS	⑤	4.32 [.170]	745967-4
	④	4.32 [.170]	① 745967-3
	⑤	3.18 [.125]	745967-2
	④	3.18 [.125]	⑩ 745967-1

THIS DRAWING IS A CONTROLLED DOCUMENT.		DIN D BROCKWAY 3-22-93	Tyco Electronics Corporation Harrisburg, PA 17105-3608
DIMENSIONS: mm [INCHES]		5-10-93	
TOLERANCES UNLESS OTHERWISE SPECIFIED:		APVD R STONE	NAME
0 PLC ± -	1 PLC ± -	2 PLC ± .013 [.005]	PRODUCT SPEC
3 PLC ± -	4 PLC ± -	ANGLES ± -	APPLICATION SPEC
MATERIAL FINISH		WEIGHT	SIZE
CONTACTS: SEE TABLE		CUSTOMER DRAWING	SCALE 4:1 SHEET 1 OF 1 REV R