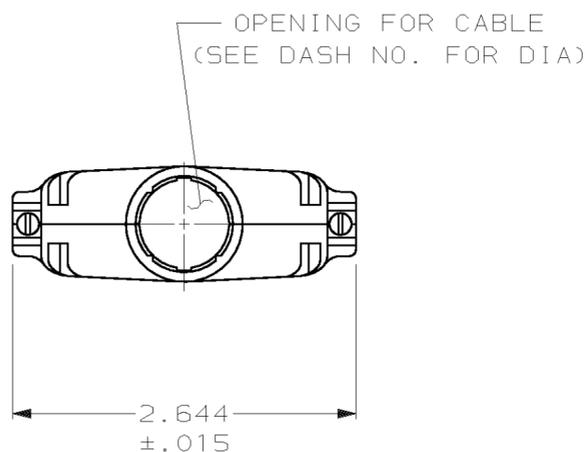
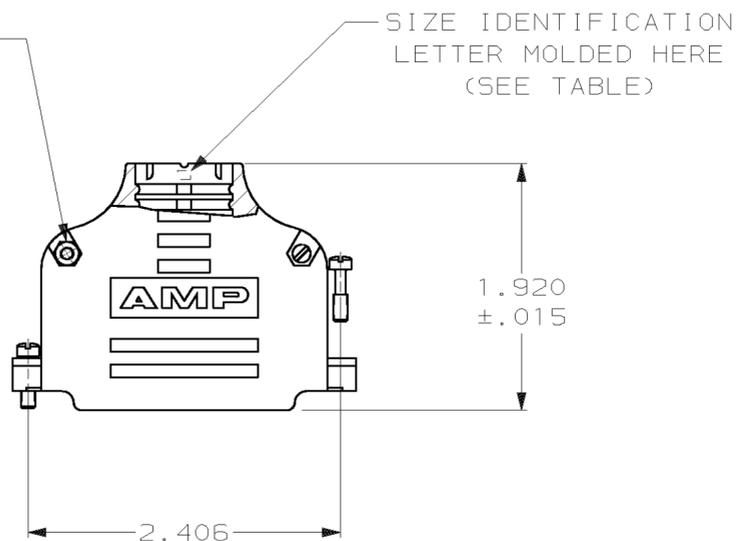


THIS DRAWING IS UNPUBLISHED. RELEASED FOR PUBLICATION ,19 .
 © COPYRIGHT 19 BY AMP THERMOPLASTIC, FINISH, BRIGHT NICKEL

LOC	DIST	P	F	ZONE	LTR	DESCRIPTION	DATE	APPD
GP	00				A	REDRAWN	7-17-90	-
					B	OBSOLETE -3 PER EC 0020-713-95	06 FEB 96	CS
					C	OBSOLETE -11 PER EC OUID-0155-00	02 FEB 01	DK
					D	REV PER EC OUE0-0002-01	10 JAN 02	JR

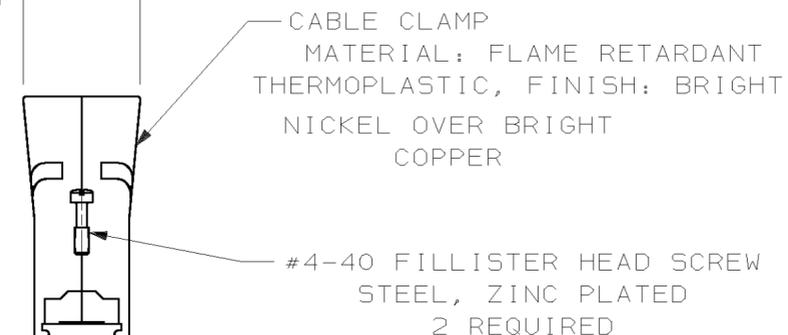


#4-40 FILLISTER HEAD STEEL SCREW & HEX NUT, ZINC PLATED, 2 EA. REQ'D



.900 ±.015

.730 ±.015



1	I	.375	1-747098-2	4	1-747098-1
	L	.450	1-747098-0	4	747098-9
	O	.525	747098-8	4	747098-7
	S	.600	747098-6	4	747098-5
	U	.675	747098-4	4	747098-3
	V	.750	747098-2	4	747098-1
REMARKS	SIZE IDENT	CABLE DIA	BULK PACKED KIT NO. 3		INDIVIDUAL KIT NO. 2

1 ALL PARTS PACKAGED UNASSEMBLED.

2 AS SHOWN ABOVE THIS KIT CONSISTS OF 2 STRAIN RELIEF HALVES, 2 #4-40 SCREWS, 2 #4-40 NUTS & 2 #4-40 MOUNTING SCREWS.

3 SAME AS SHOWN EXCEPT: EACH PART IS INDIVIDUALLY BULK PACKED FOR MULTIPLE KIT ORDERS.

4 OBSOLETE.

DO NOT SCALE PRINT. UNLESS SPECIFIED DIMENSIONS IN INCHES TOLERANCES ON : 2 PLC DEC ± - 3 PLC DEC ± .005 ANGLES ± -	DR 7/17/90 A. STAUB BG CHK 9-10-90 J. McCLINTON APPD 9-10-90 J. WEST APPD 9-11-90 J. ASSINI	AMP INCORPORATED Harrisburg, Pa. 17105			
MATERIAL SEE CALLOUT	PRODUCT SPEC -	NAME CABLE CLAMP KIT, SIZE 5, 50 POSITION, 180 DEGREES, AMPLIMITE™ SERIES, PLATED PLASTIC			
FINISH SEE CALLOUT	APPLICATION SPEC -	SIZE C	FSCM NO 00779	DRAWING NO 747098	
	WEIGHT -	SCALE -		SHEET 1 OF 1	