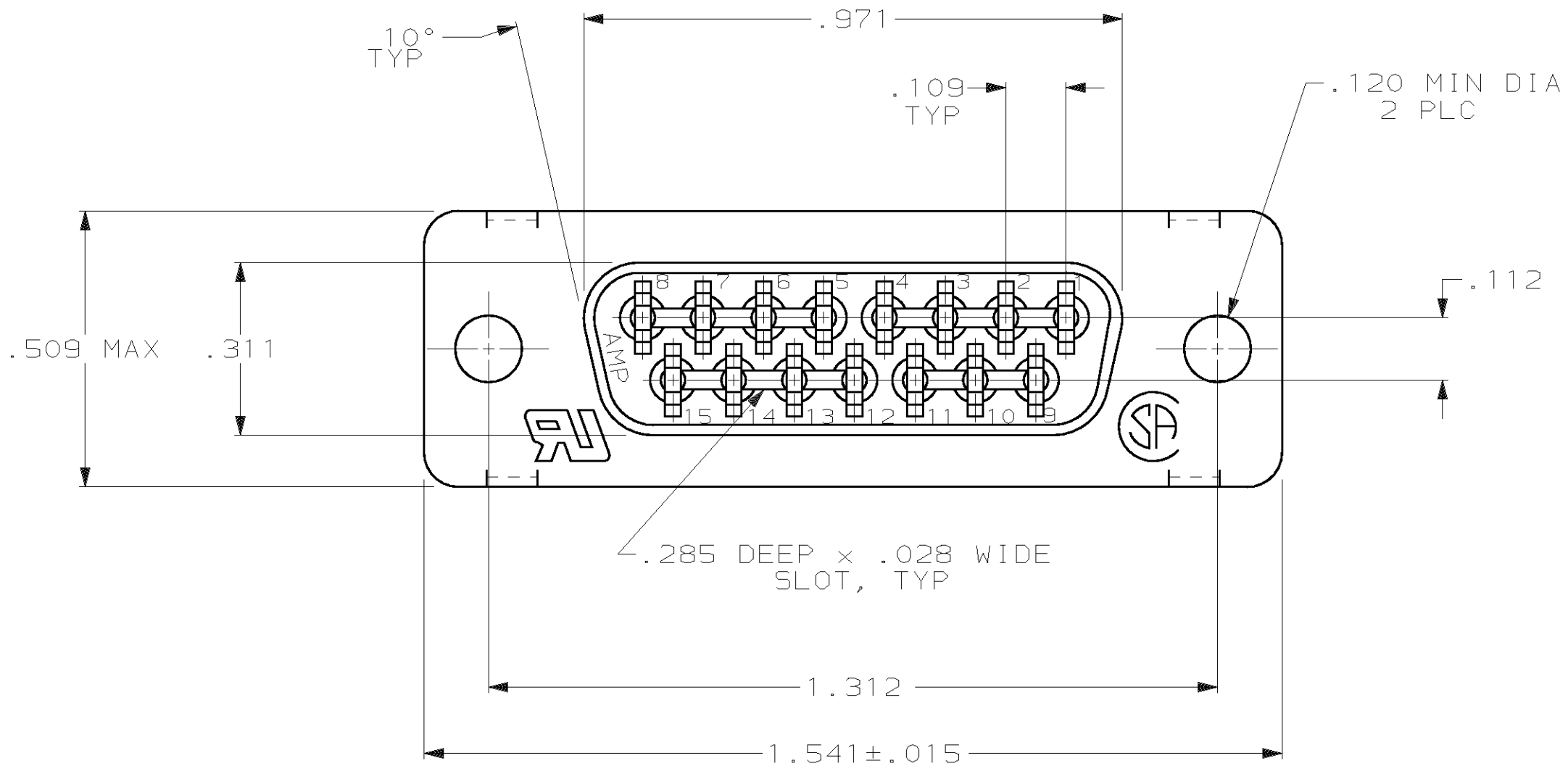
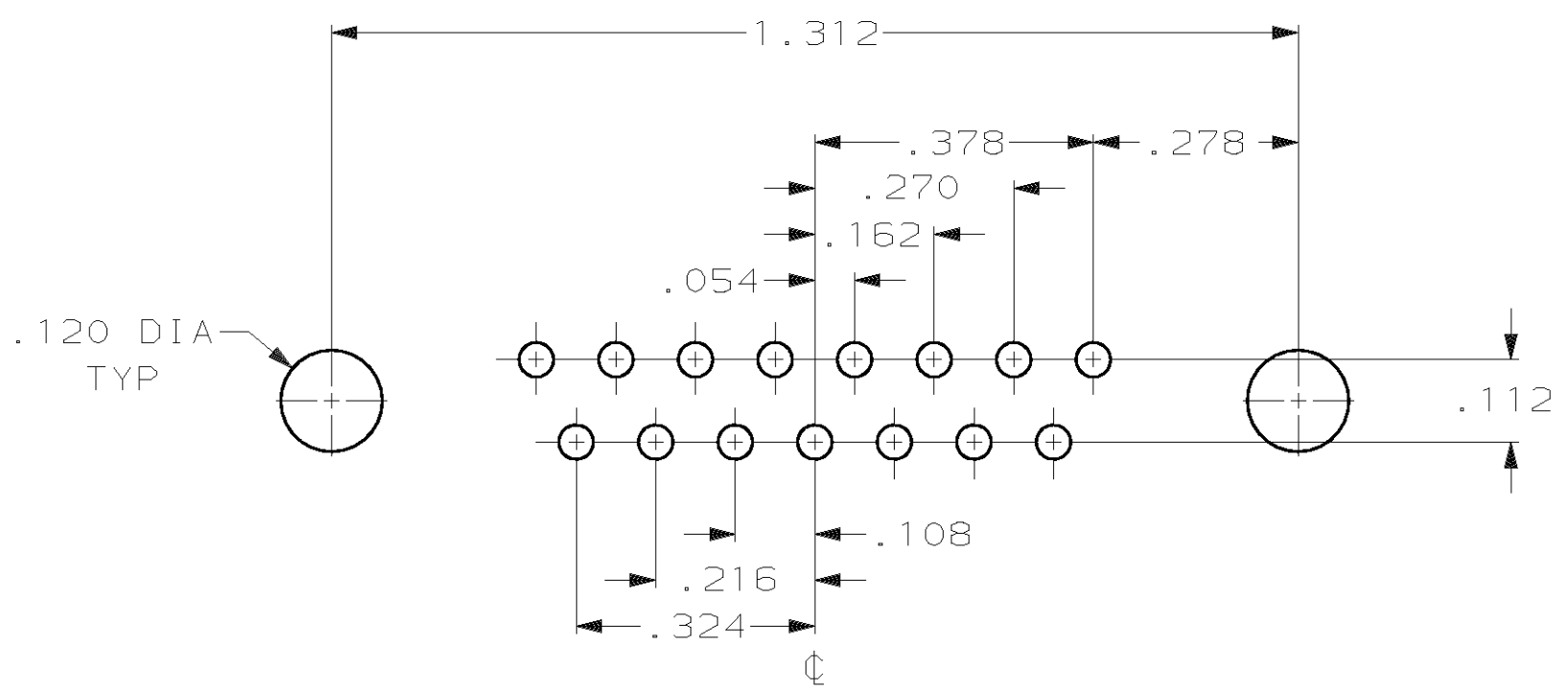
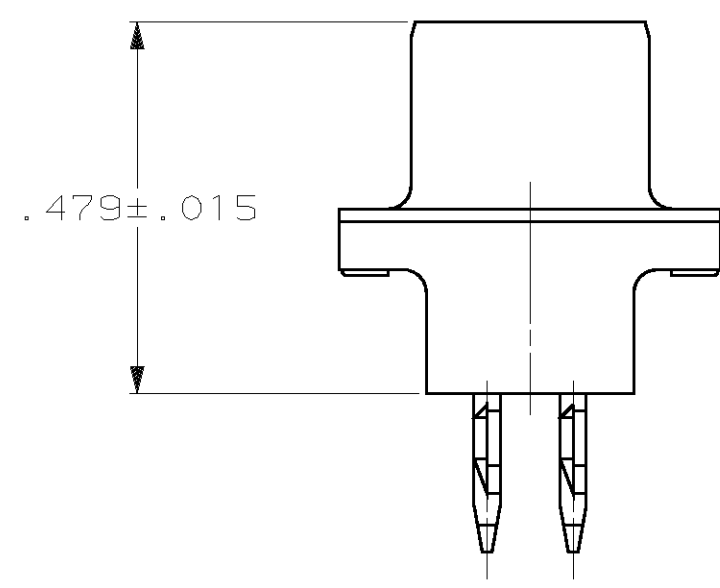
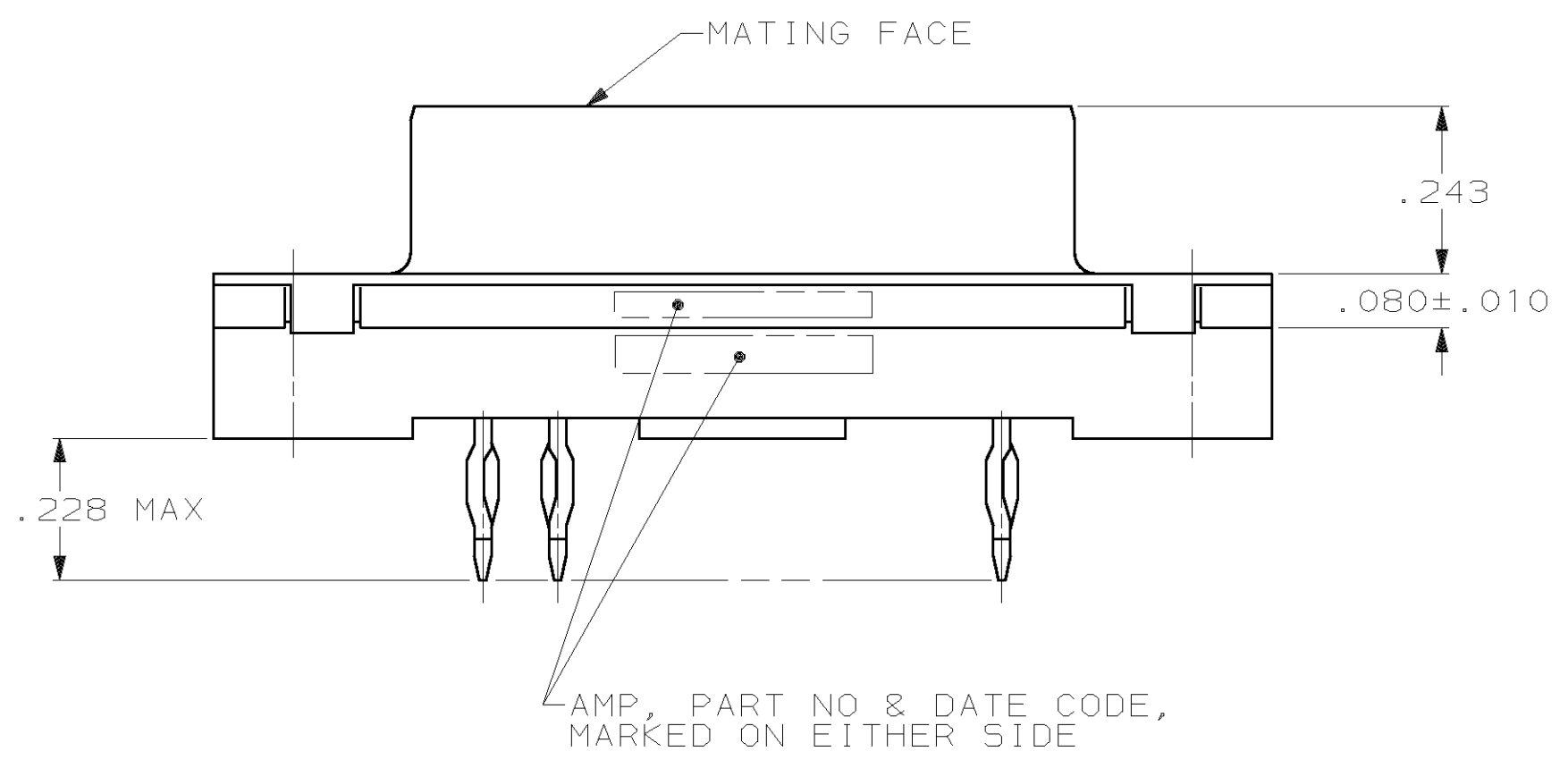


THIS DRAWING IS UNPUBLISHED. RELEASED FOR PUBLICATION ,19 .
 © COPYRIGHT 19 BY AMP INCORPORATED. ALL INTERNATIONAL RIGHTS RESERVED.

LOC		DIST		REVISIONS				DATE	APPD
P	F	ZONE	LTR	DESCRIPTION					
GP	00			H	REV PER EC OUE0-0045-01	06NOV01	JR		



- 1 PC BOARD RECOMMENDATIONS:
- A. HOLES SHOULD BE DRILLED WITH A 1.15 mm DRILL.
 - B. MINIMUM PCB TIN/LEAD PLATING TO BE .0003 THICK OVER .002±.001 THICK COPPER.
 - C. RECOMMENDED HOLE SIZE AFTER TIN/LEAD PLATING IS .037 TO .043 FOR PCB .093 TO .125 THICK.
 - D. IF HOLE IS REFLOWED AFTER PLATING, DIA TO BE .036 TO .043.
- 2 GOLD PLATING PER MIL-G-45204, NICKEL PLATING PER QQ-N-290.
- 3 DUPLEX PLATED: GOLD FLASH ON MATING SURFACE, BRIGHT TIN OR BRIGHT TIN LEAD ON COMPLIANT PIN, ALL OVER NICKEL.
- 4 DUPLEX PLATED: .000030 GOLD ON MATING SURFACE, BRIGHT TIN OR BRIGHT TIN LEAD ON COMPLIANT PIN, ALL OVER NICKEL.
- 5 PLATED .0002-.0004 BRIGHT TIN PER MIL-T-10727.
6. CONNECTOR MATES WITH ANY SIZE 2, 15 POSITION PLUG IN AMPLIMITE™ SERIES & COMPLIES WITH AMP SPEC 108-40014 WHERE APPLICABLE.



SUPSD BY 747140-2	4	747140-2
	3	747140-1
	FINISH 2	PART NO

DO NOT SCALE PRINT. UNLESS SPECIFIED DIMENSIONS IN INCHES TOLERANCES ON : 2 PLC DEC ± .005 3 PLC DEC ± .005 ANGLES ± 2°	DR 03-31-94 D.HARDY	AMP Incorporated Harrisburg, PA 17105-3608
	CHK 04-26-94 R.STONE	
MATERIAL HOUSING: FLAME RETARDANT 94V-0 RATED THERMOPLSTC; COLOR: BLACK CONTACTS: COPPER ALLOY SHELL: STEEL PER QQ-S-698	APPD 04-26-94 M.PERCHERKE	NAME RCPT ASSY, SIZE 2, 15 POSN, AMPLIMITE™ HDP, MDM PROFILE, W/ ACTION PIN CONTACTS & METAL SHELL. (PCB-.093/.125)
FINISH CONTACTS: SEE TABLE SHELL: 5	APPD 04-26-94 M.PERCHERKE	SIZE CAGE CODE DRAWING NO C 00779 C=747140
	PRODUCT SPEC -	SCALE 4:1 SHEET 1 OF 1
	APPLICATION SPEC -	
	WEIGHT -	

THIS DRAWING IS A CONTROLLED DOCUMENT FOR AMP INCORPORATED. IT IS SUBJECT TO CHANGE AND THE CONTROLLING ENGINEERING ORGANIZATION SHOULD BE CONTACTED FOR THE LATEST REVISION.