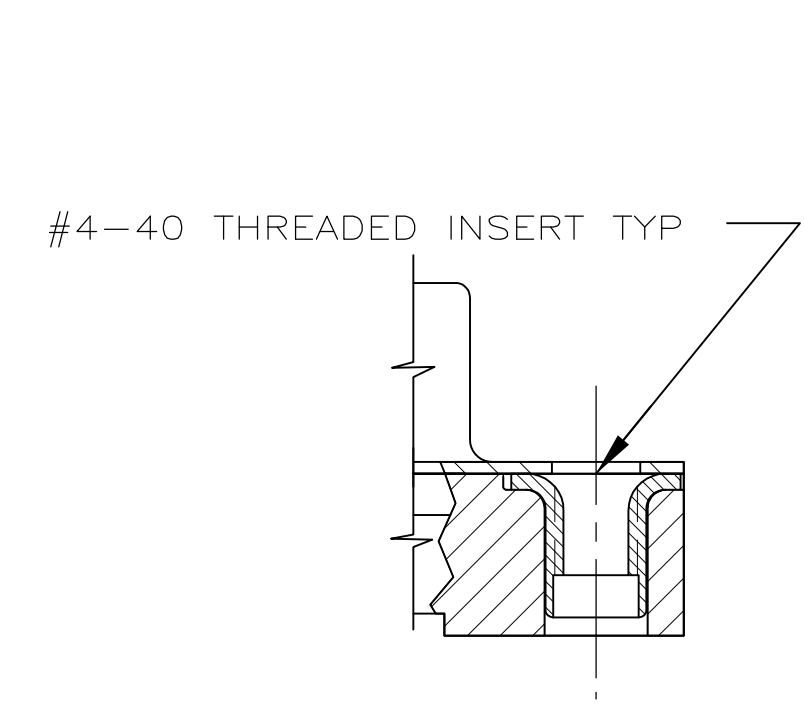
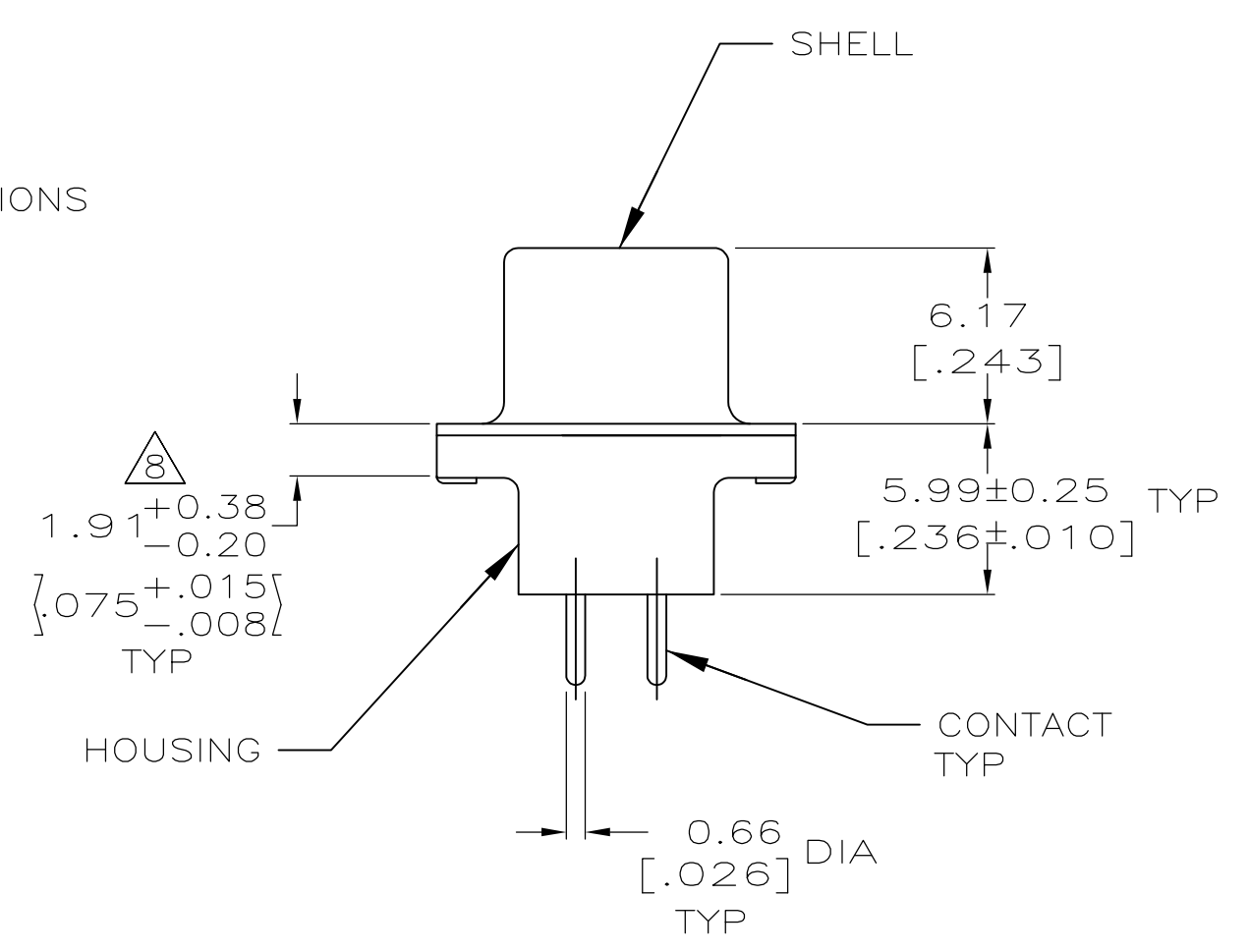
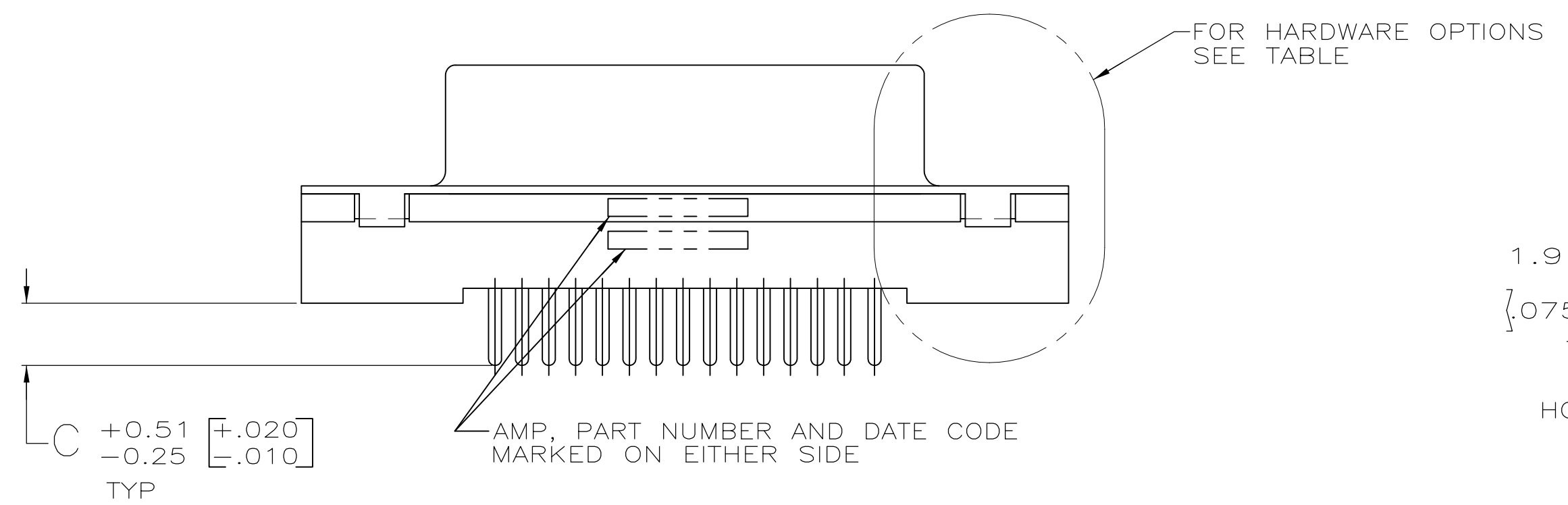
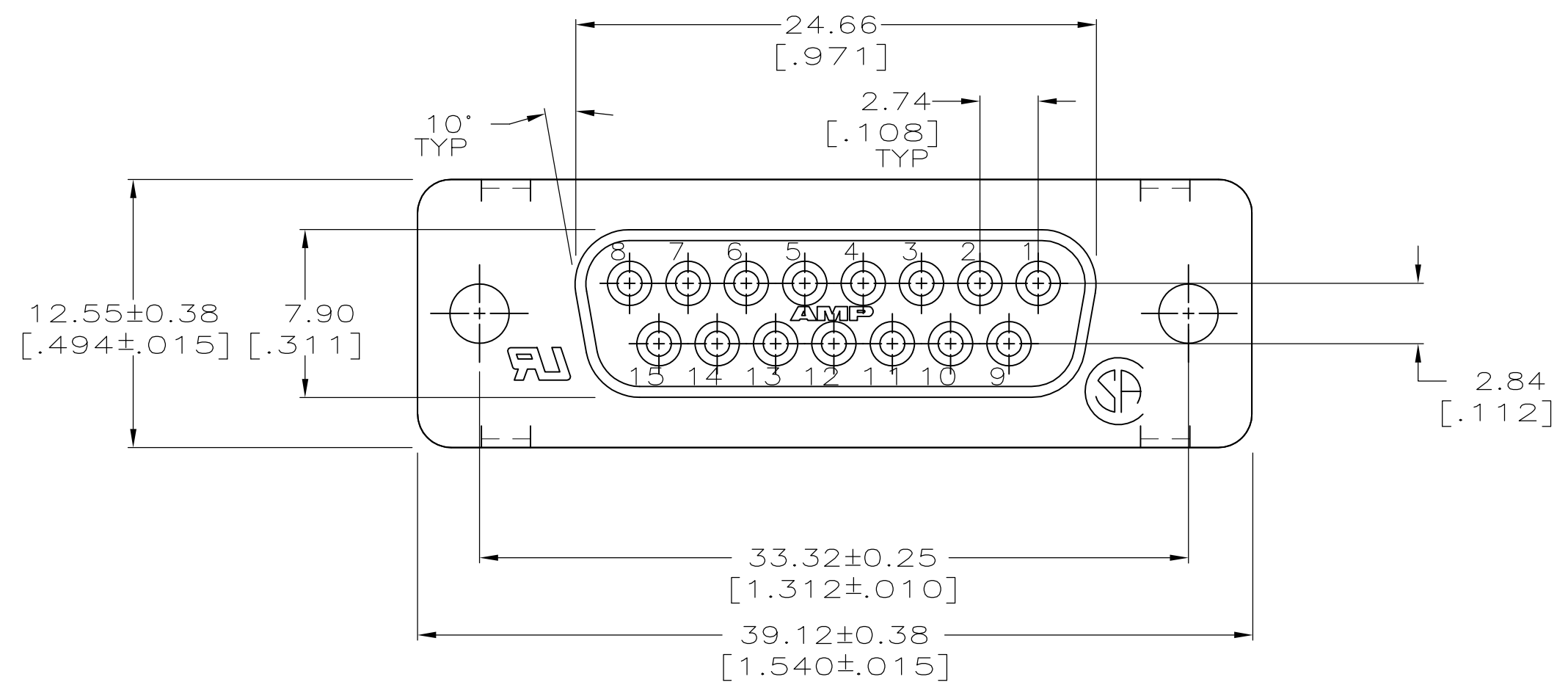
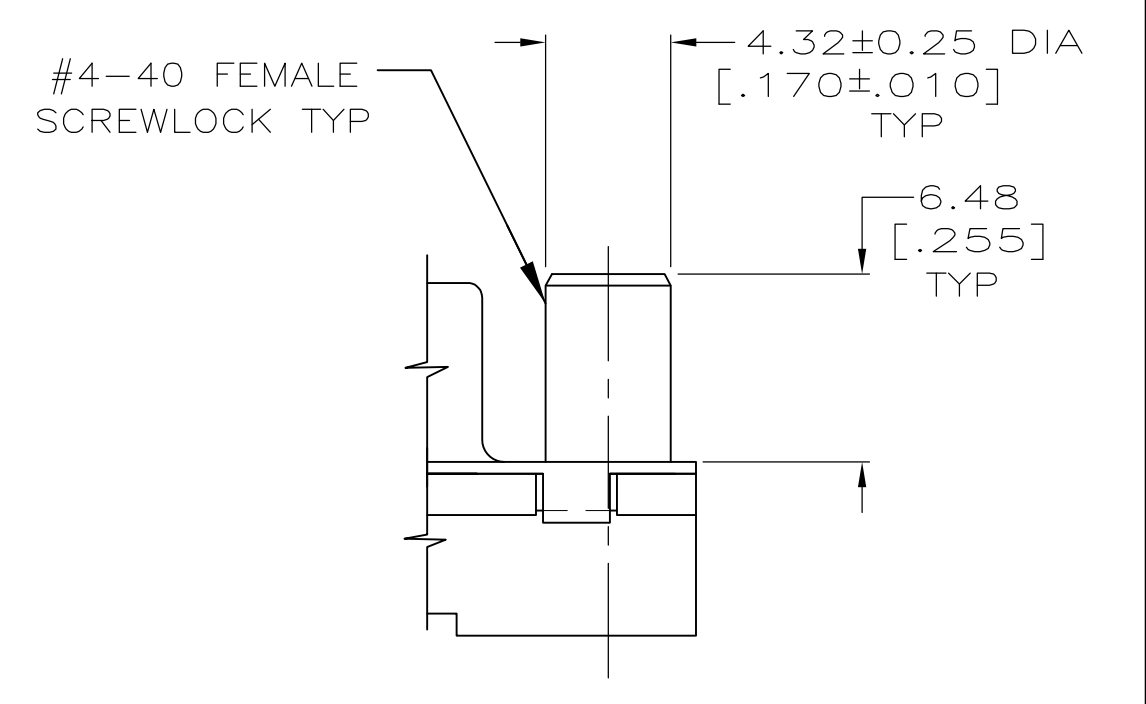


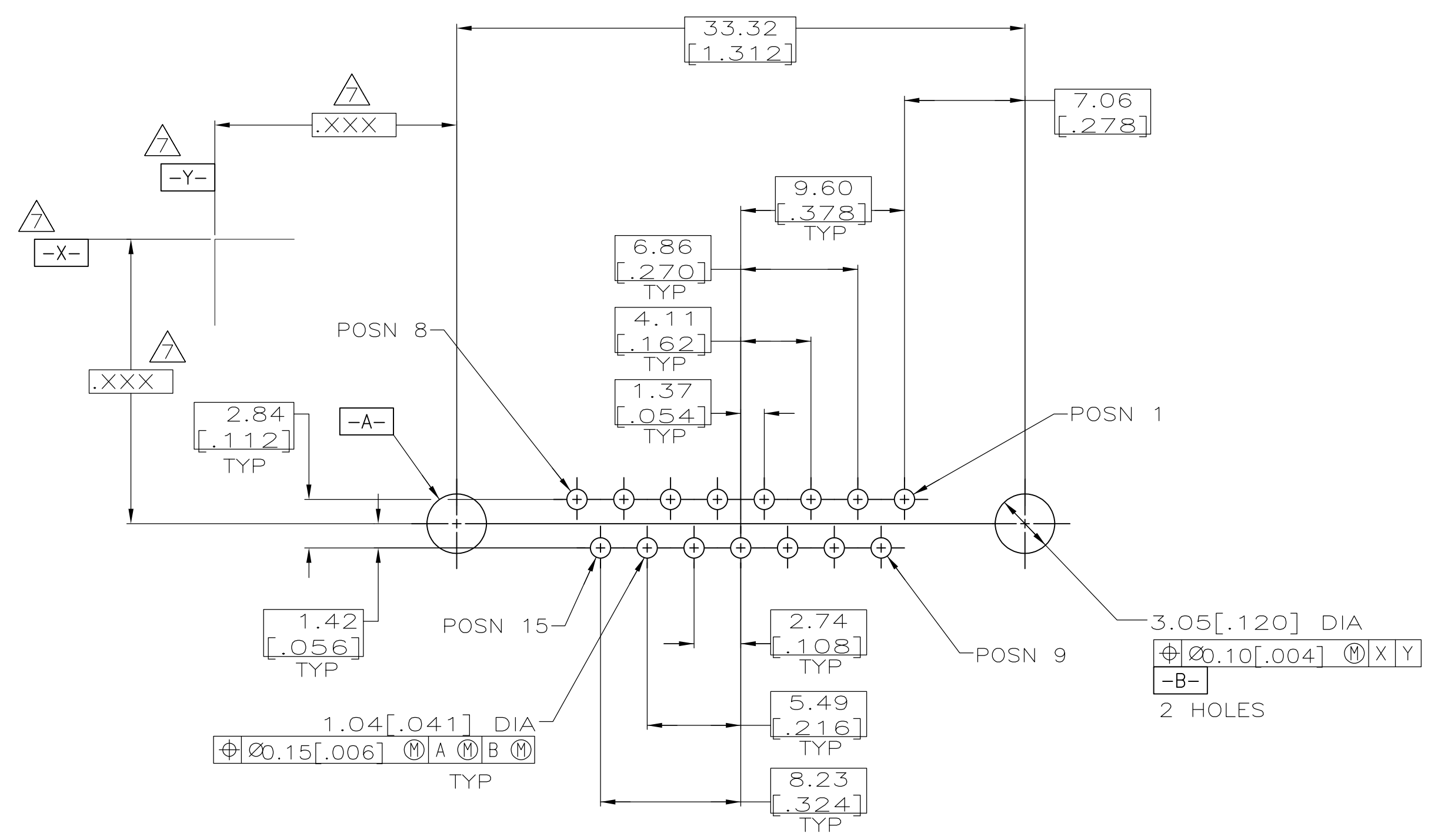
- ▲ POLYESTER, UL 94V-0 RATED, BLACK.
- ▲ CARBON STEEL.
- ▲ 5.08um [.000200] MIN TIN OVER 2.54um [.000100] MIN COPPER.
- ▲ GOLD FLASH FOR A LENGTH OF 2.54[.100] MIN FROM MATING END, 2.54um [.000100] MIN TIN OR TIN-LEAD ON OPPOSITE END, BOTH OVER 1.27um [.000050] MIN NICKEL.
- ▲ 0.76um [.000030] MIN GOLD FOR A LENGTH OF 2.54 [.100] MIN FROM MATING END, 2.54um [.000100] MIN TIN OR TIN-LEAD ON OPPOSITE END, BOTH OVER 1.27um [.000050] MIN NICKEL.
- ▲ NOTE DELETED.
- ▲ DATUMS AND BASIC DIMENSIONS ESTABLISHED BY CUSTOMER.
- ▲ 2.79[.110] MAX IN SHELL TAB CLINCH AREAS.
- ▲ OBSOLETE PART NUMBER.
- ▲ 10 SUPSD BY 747299-2.
- ▲ 11 SUPSD BY 1-747299-6.



DETAIL D



DETAIL E



RECOMMENDED PC BOARD MOUNTING DIMENSIONS

W/FEMALE SCREWLOCKS PER DETAIL E	▲5	4.32 [.170]	▲1	1-747299-6
	▲4	4.32 [.170]	▲1	1-747299-5
	▲5	3.18 [.125]	▲9	1-747299-4
W/THREADED INSERTS PER DETAIL D	▲4	3.18 [.125]	▲9	1-747299-3
	▲5	4.32 [.170]	▲9	1-747299-0
	▲5	3.18 [.125]		747299-8
WO/FEMALE SCREWLOCKS OR THREADED INSERTS AS SHOWN	▲4	3.18 [.125]		747299-7
	▲5	6.35 [.250]	▲9	747299-6
	▲5	4.32 [.170]		747299-4
	▲4	3.18 [.125]	▲10	747299-2
HARDWARE OPTIONS	CONTACTS			PART NO
	FINISH	C		

THIS DRAWING IS A CONTROLLED DOCUMENT.

DIMENSIONS: mm(INCHES)	TOLERANCES UNLESS OTHERWISE SPECIFIED:	0 PLC ± -	1 PLC ± -	2 PLC ± 0.13 [.005]	3 PLC ± -	4 PLC ± -	ANGLES ± -
MATERIAL		FINISH		WEIGHT		SCALE	
▲1 ▲2		▲3		-		4:1	

DWN: D BROCKWAY 3-22-93
 CHK: R STONE 5-10-93
 APVD: -
 PRODUCT SPEC: 108-40025
 APPLICATION SPEC: 114-40023
 SIZE: A1
 CAGE CODE: 00779
 DRAWING NO: 747299
 RESTRICTED TO: -
 SHEET: 1 OF 1
 REV: L