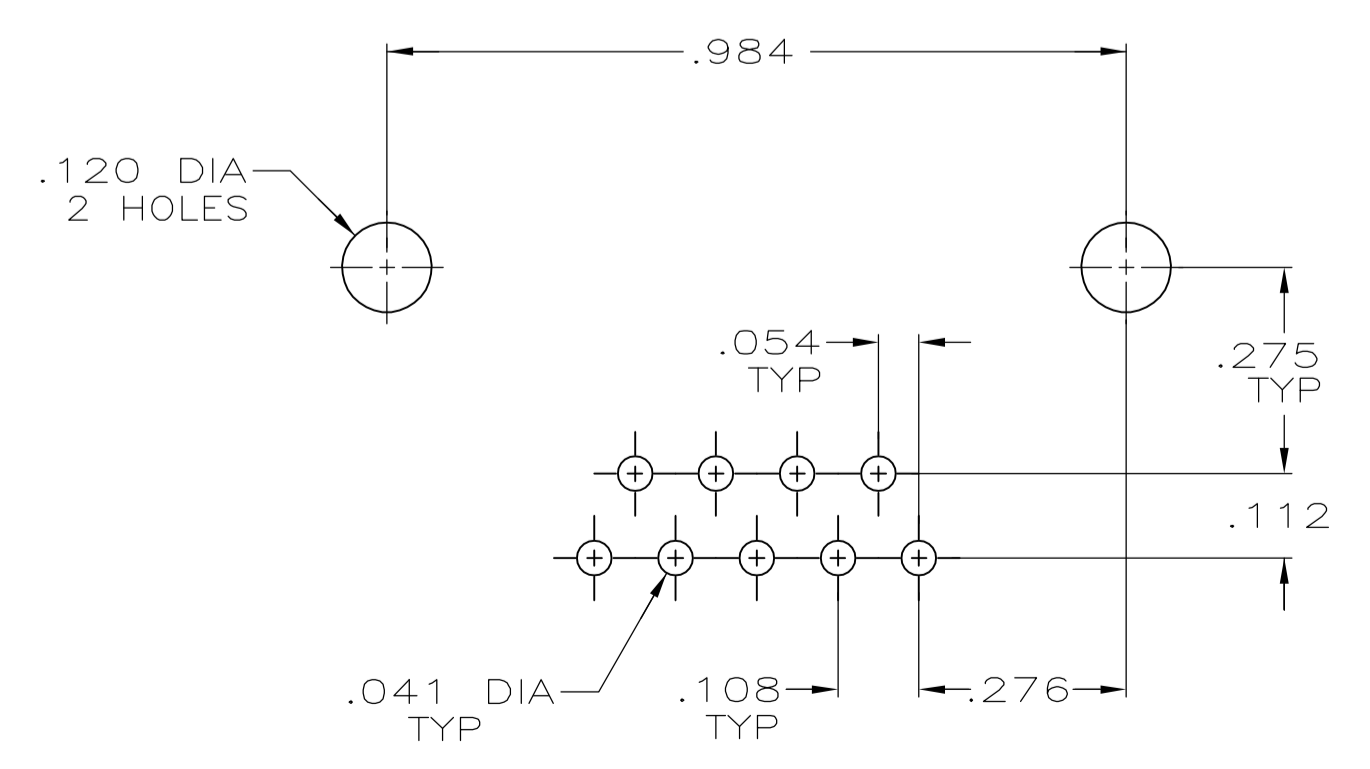
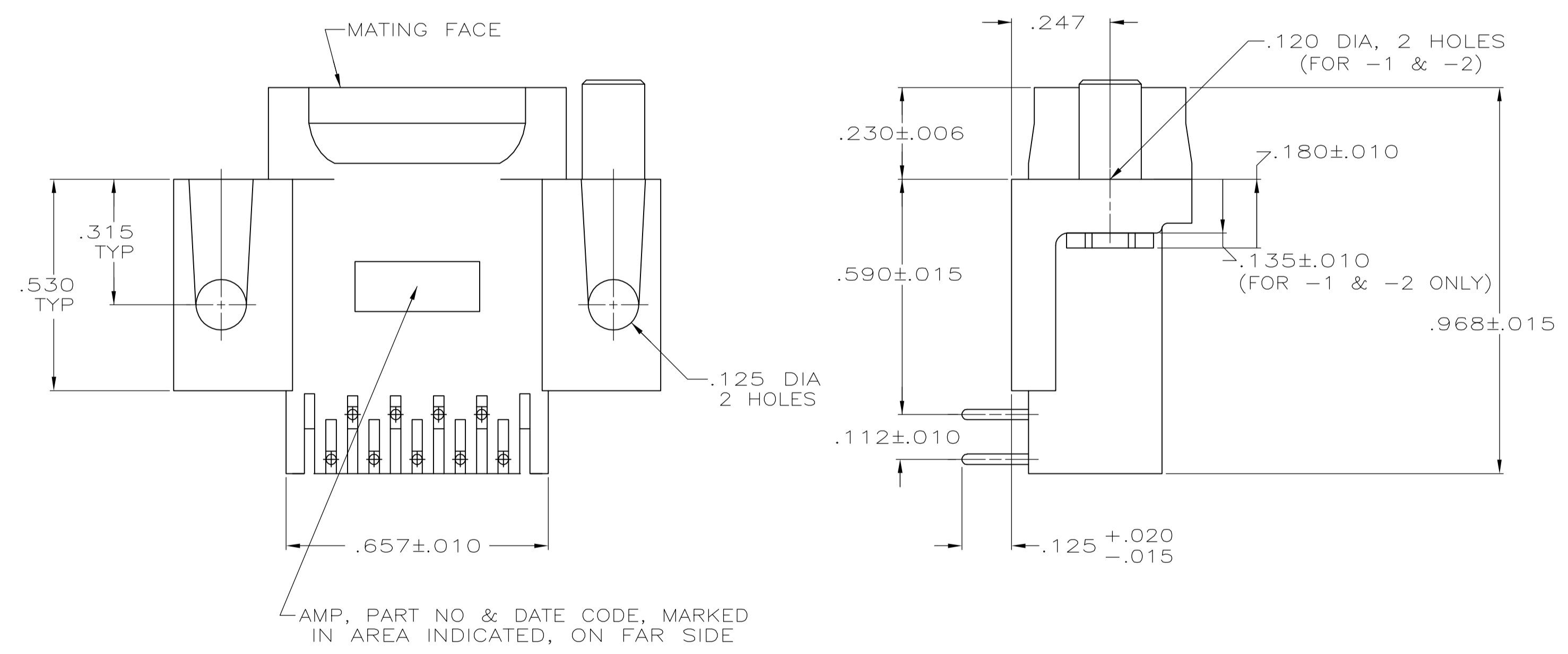


- ⚠️ MOLDED PARTS: FLAME RETARDANT, 94V-0 RATED, GLASS FILLED NYLON OR POLYESTER, BLACK
 CONTACTS: BRASS
 HARDWARE: ZINC
- ⚠️ CONTACTS: SEE TABLE
 HARDWARE: CLEAR CHROMATE
- ⚠️ GOLD PLATED FOR A LENGTH OF .150 MIN FROM MATING END, GOLD FLASH IN MATED AREA, WITH POINT OF MEASUREMENT .075 FROM MATING END OF CONTACT, .000100-.000200 TIN OR TIN-LEAD ON SOLDER END, ALL OVER .000050 MIN NICKEL ON ENTIRE CONTACT.
- ⚠️ GOLD PLATED FOR LENGTH OF .150 MIN FROM MATING END, .000030 MIN GOLD IN MATED AREA, WITH POINT OF MEASUREMENT .075 FROM MATING END OF CONTACT, .000100-.000200 TIN OR TIN-LEAD ON SOLDER END, ALL OVER .000050 MIN NICKEL.
 -OR-
 GOLD FLASH OVER PALLADIUM NICKEL PLATED FOR A LENGTH OF .150 MIN FROM MATING END, .000030 MIN GOLD IN MATED AREA, WITH POINT OF MEASUREMENT .075 FROM MATING END OF CONTACT, .000100-.000200 TIN OR TIN-LEAD ON SOLDER END, ALL OVER .000050 MIN NICKEL.
- ⚠️ REFER TO APPLICATION SPEC FOR RECOMMENDED P.C. BOARD MOUNTING DIMENSIONS FOR AUTOMATIC INSERTION.



SUPSD BY 747467-4	WITH SCREWLOCKS	⚠️	747467-6
OBSOLETE	WITH SCREWLOCKS	⚠️	747467-5
	WITH INSERTS	⚠️	747467-4
SUPSD BY 747467-4	WITH INSERTS	⚠️	747467-3
	WITH .120 DIA HOLE	⚠️	747467-2
	WITH .120 DIA HOLE	⚠️	747467-1
REMARKS		FINISH	PART NUMBER

THIS DRAWING IS A CONTROLLED DOCUMENT.		DWN C RICHARD 7-29-87	Tyco Electronics Corporation Harrisburg, PA 17105-3608	
DIMENSIONS: INCHES		DWG S WELDON 8-3-87	Tyco Electronics	
TOLERANCES UNLESS OTHERWISE SPECIFIED:		APVD B TAYLOR 8-3-87	NAME	
0 PLC ± -	1 PLC ± -	PRODUCT SPEC		
2 PLC ± -	3 PLC ± .005	108-40005		
4 PLC ± -	ANGLES ± ± z	APPLICATION SPEC		
MATERIAL		SIZE 114-40015	SCALE A1	RESTRICTED TO
FINISH		WEIGHT -	CAGE CODE 00779	DRAWING NO 747467
⚠️		CUSTOMER DRAWING		SCALE 4:1 SHEET 1 OF 1 REV G