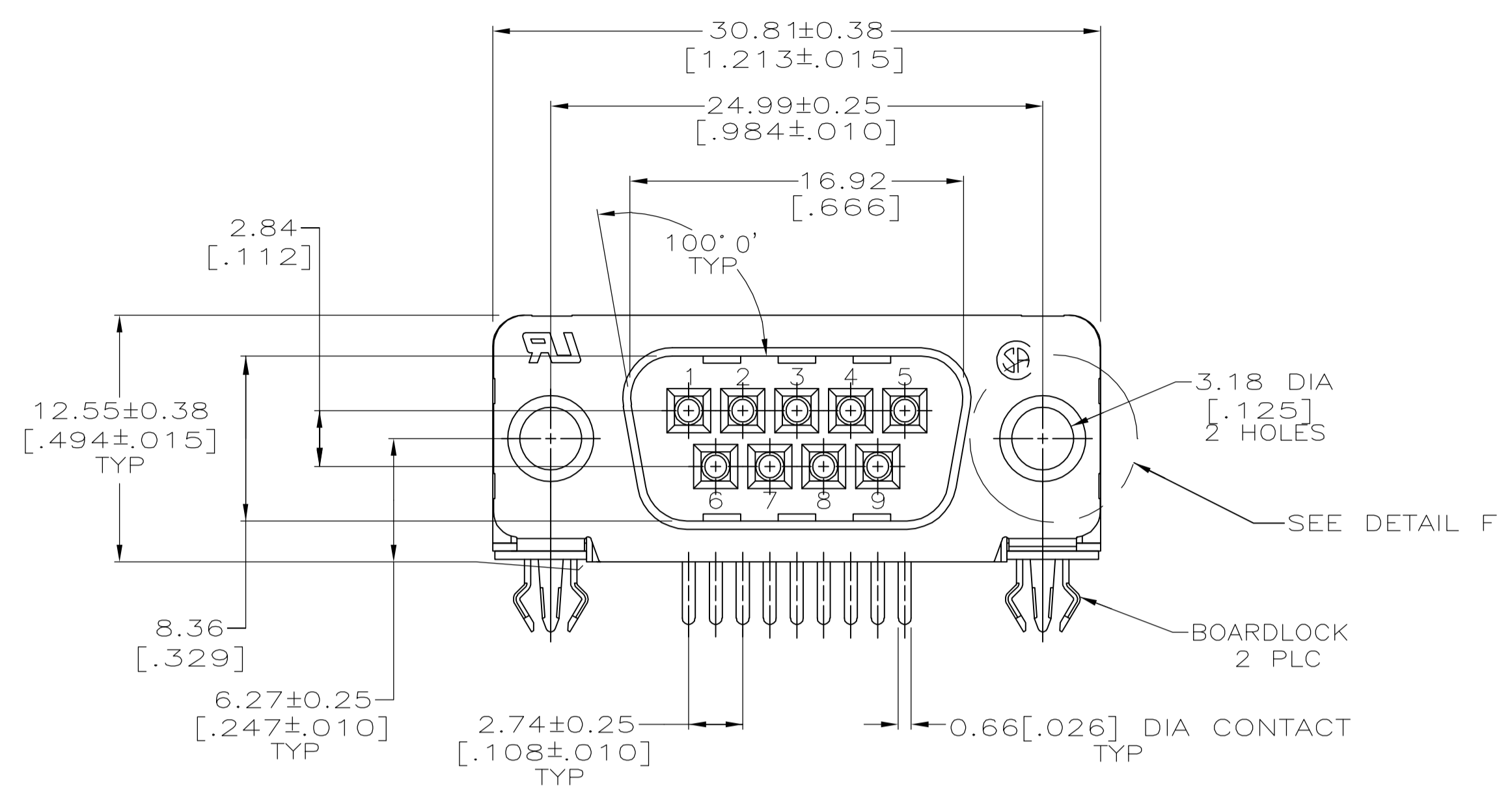


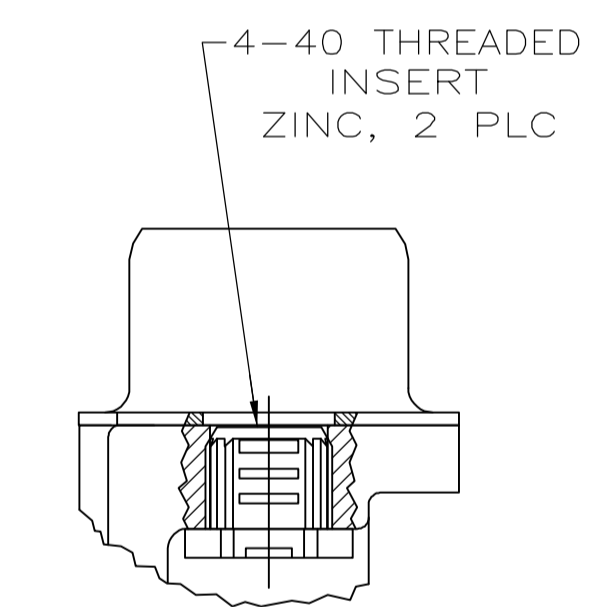
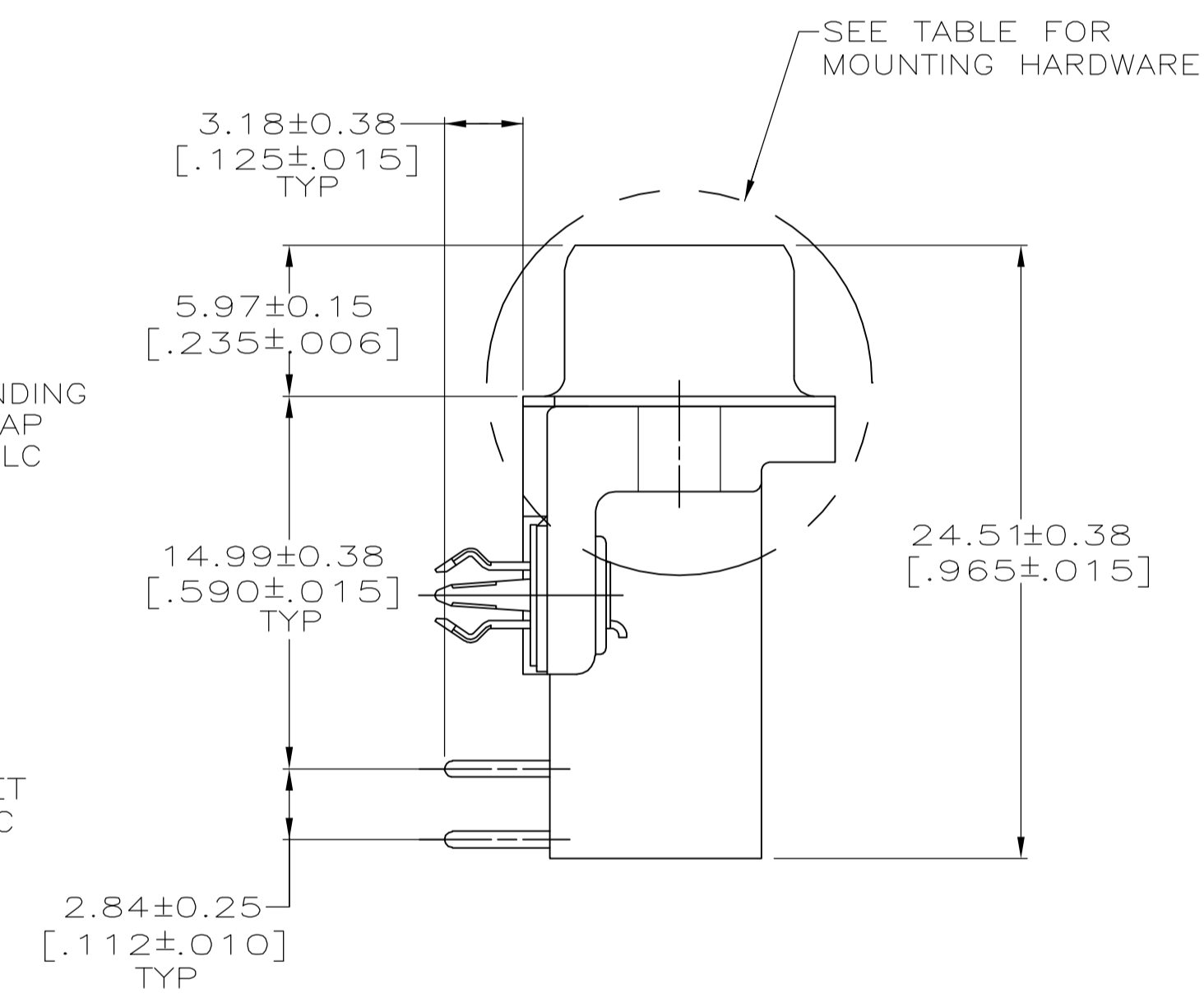
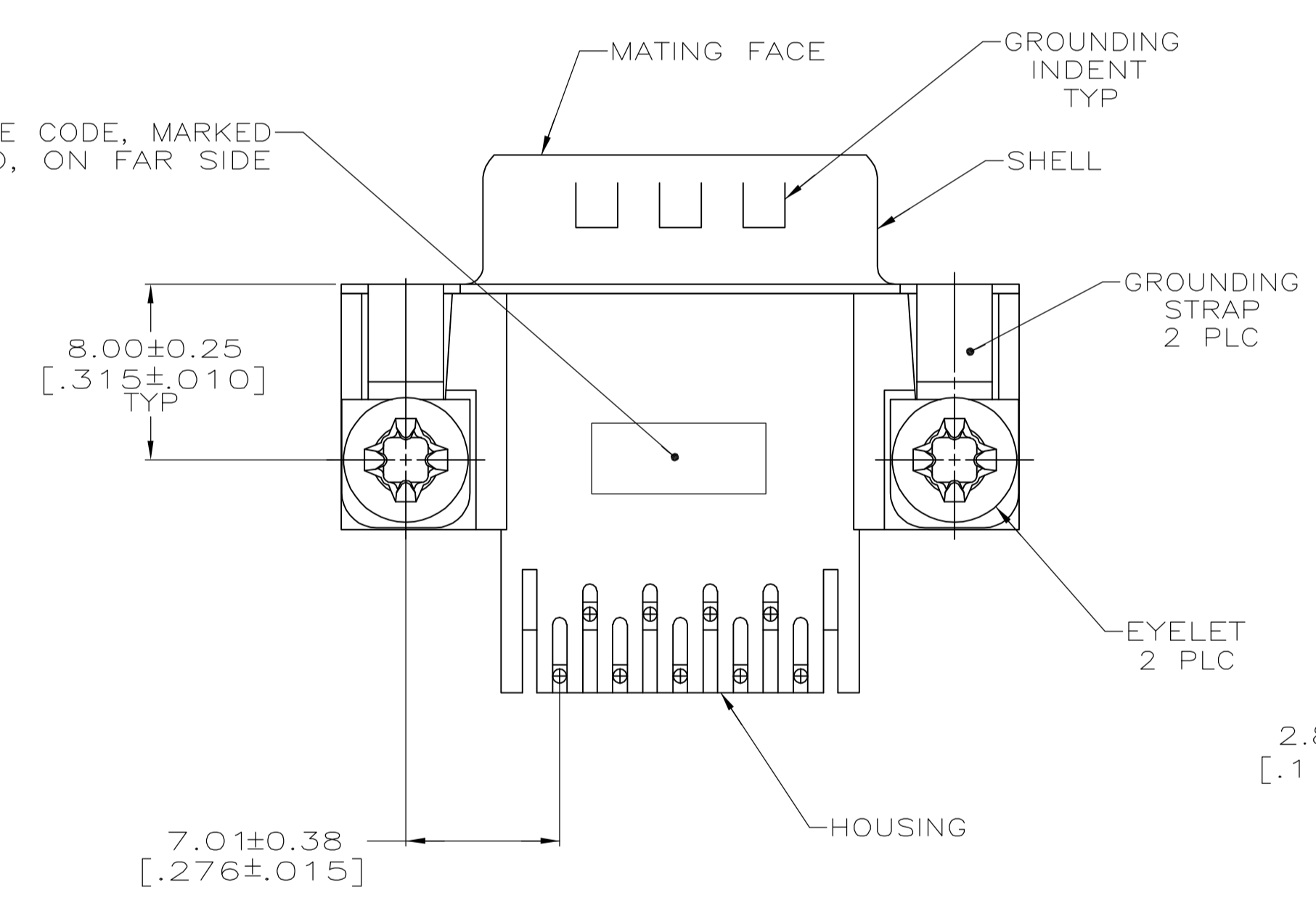
FOR -5 AND -6 ONLY

DETAIL F  
2 PLC

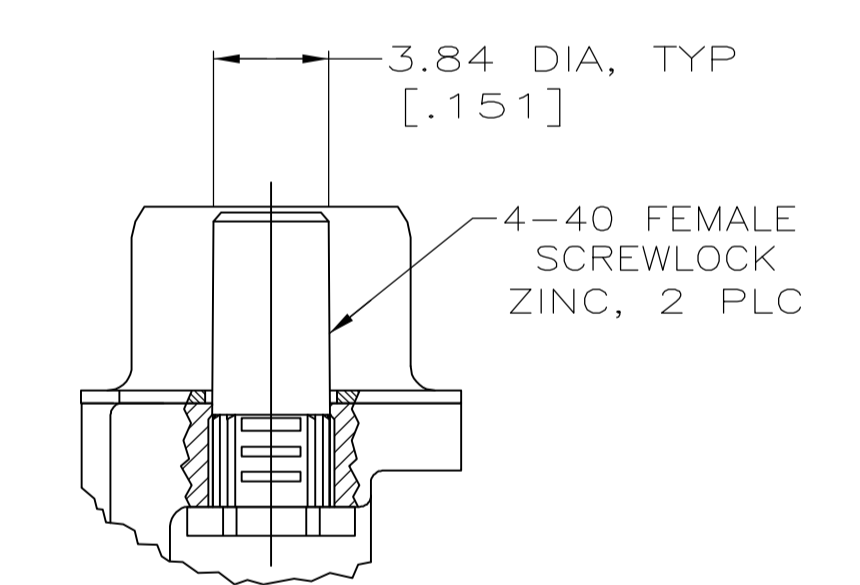


- ① HOUSING: NYLON OR POLYESTER, FLAME RETARDANT 94V-0 RATED, GLASS FILLED, BLACK  
SHELLS: STEEL  
CONTACTS: BRASS  
BOARDLOCKS: COPPER ALLOY  
EYELETS: BRASS
- ② SHELLS: 2.54μm [.000100] MIN TIN OVER 1.27μm [.000050] MIN COPPER.  
EYELETS: 5.08μm [.000200] MIN TIN OVER COPPER FLASH.  
INSERTS AND SCREWLOCKS: CLEAR CHROMATE.  
CONTACTS AND BOARDLOCKS: SEE TABLE.
- ③ GOLD PLATED FOR A LENGTH OF 3.81 [.150] MIN FROM MATING END, GOLD FLASH IN MATED AREA, 2.54μm [.000100] MIN TIN OR TIN-LEAD FOR A LENGTH OF 3.56 [.140] MIN FROM OPPOSITE END, BOTH OVER 1.27μm [.000050] MIN NICKEL.
- ④ GOLD PLATED FOR A LENGTH OF 3.81 [.150] MIN FROM MATING END, 0.76μm [.000030] MIN GOLD IN MATED AREA, 2.54μm [.000100] MIN TIN OR TIN-LEAD FOR A LENGTH OF 3.56 [.140] MIN FROM OPPOSITE END, BOTH OVER 1.27μm [.000050] MIN NICKEL.  
-OR-  
GOLD FLASH OVER PALLADIUM NICKEL PLATED FOR LENGTH OF 3.81 [.150] MIN FROM MATING END, 2.54μm [.000100] MIN TIN OR TIN-LEAD FOR A LENGTH OF 3.56 [.140] MIN FROM OPPOSITE END, BOTH OVER 1.27μm [.000050] MIN NICKEL.
- ⑤ 5.08μm [.000200] MIN TIN-LEAD OVER 1.27μm [.000050] MIN NICKEL.
- ⑥ 5.08μm [.000200] MIN TIN OVER 1.27μm [.000050] MIN NICKEL.
- ⑦ SUPERSEDED BY 747832-2.
- ⑧ SUPERSEDED BY 747832-6.
- ⑨ SUPERSEDED BY 747832-4.
- ⑩ OBSOLETE PART NUMBER.

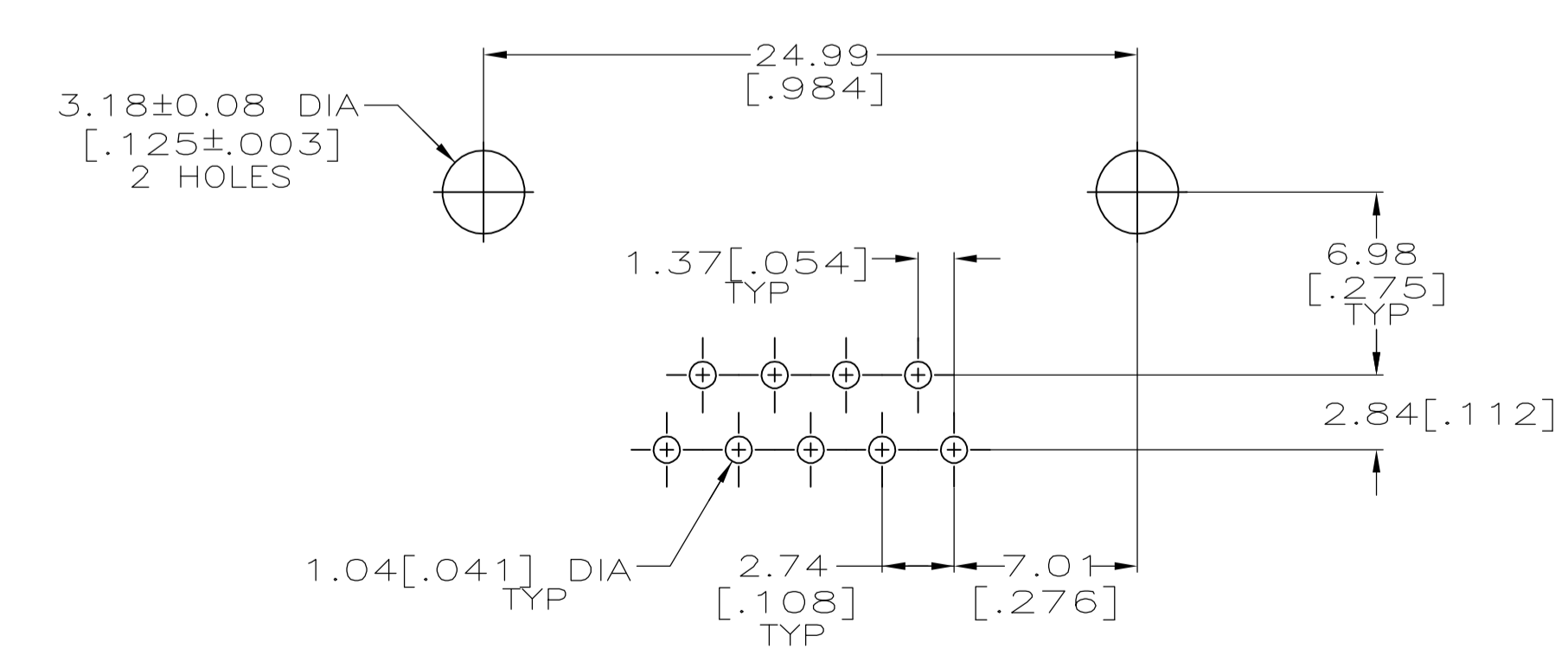
AMP, PART NO & DATE CODE, MARKED IN AREA INDICATED, ON FAR SIDE



DETAIL D



DETAIL E



P.C. BOARD MOUNTING DIMENSIONS  
P.C. BOARD THICKNESS: 1.57 [.062]

SEE DETAIL D	⑥	④	6-747832-7
SEE DETAIL E	③	④	747832-6
SEE DETAIL D	⑤	⑧	747832-5
-	⑤	⑩	747832-4
-	⑤	⑩	747832-3
-	⑤	⑨	747832-2
-	⑤	⑦	747832-1
MOUNTING HARDWARE	BOARDLOCK FINISH	CONTACT FINISH	PART NUMBER

THIS DRAWING IS A CONTROLLED DOCUMENT.

DIMENSIONS: mm [INCHES]	TOLERANCES UNLESS OTHERWISE SPECIFIED:	0 PLC ± -	1 PLC ± -	2 PLC ± 0.13 [.005]	3 PLC ± -	4 PLC ± -	ANGLES ± 2	FINISH
-------------------------	--	-----------	-----------	---------------------	-----------	-----------	------------	--------

APVD: W.G. LENKER 16 OCT 89	CHK: R. STONE 05 FEB 90	DATE: 06 FEB 90	NAME: M.D. GALLOWAY
Tyco Electronics Corporation		Harrisburg, PA 17105-3608	
PLUG ASSEMBLY, SIZE 1, 9 POSITION, RIGHT ANGLE, FRONT METAL SHELL, .590 SERIES, BOARDLOCKS, AMPLIMITE HD-20			
SIZE: 114-40010	CAGE CODE: 114-40010	DRAWING NO: 00779	REV: 747832
CUSTOMER DRAWING		SCALE: 4:1	SHEET 1 OF 1