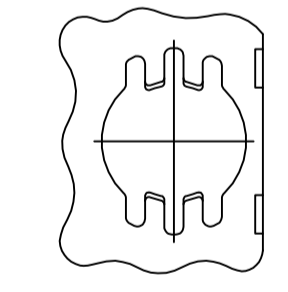
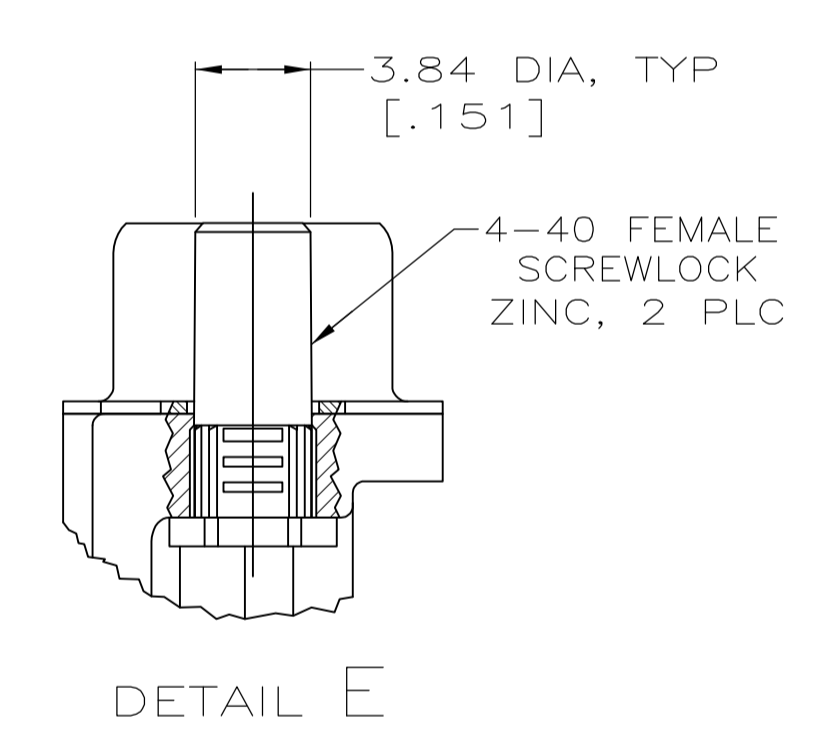
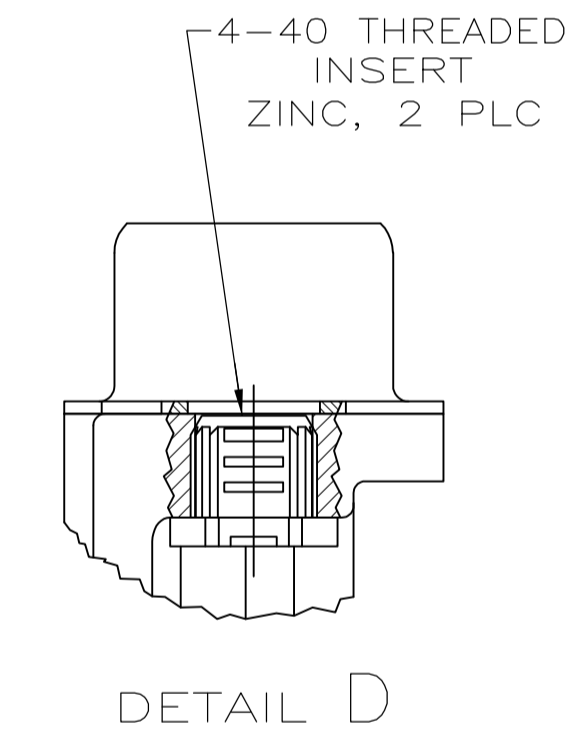
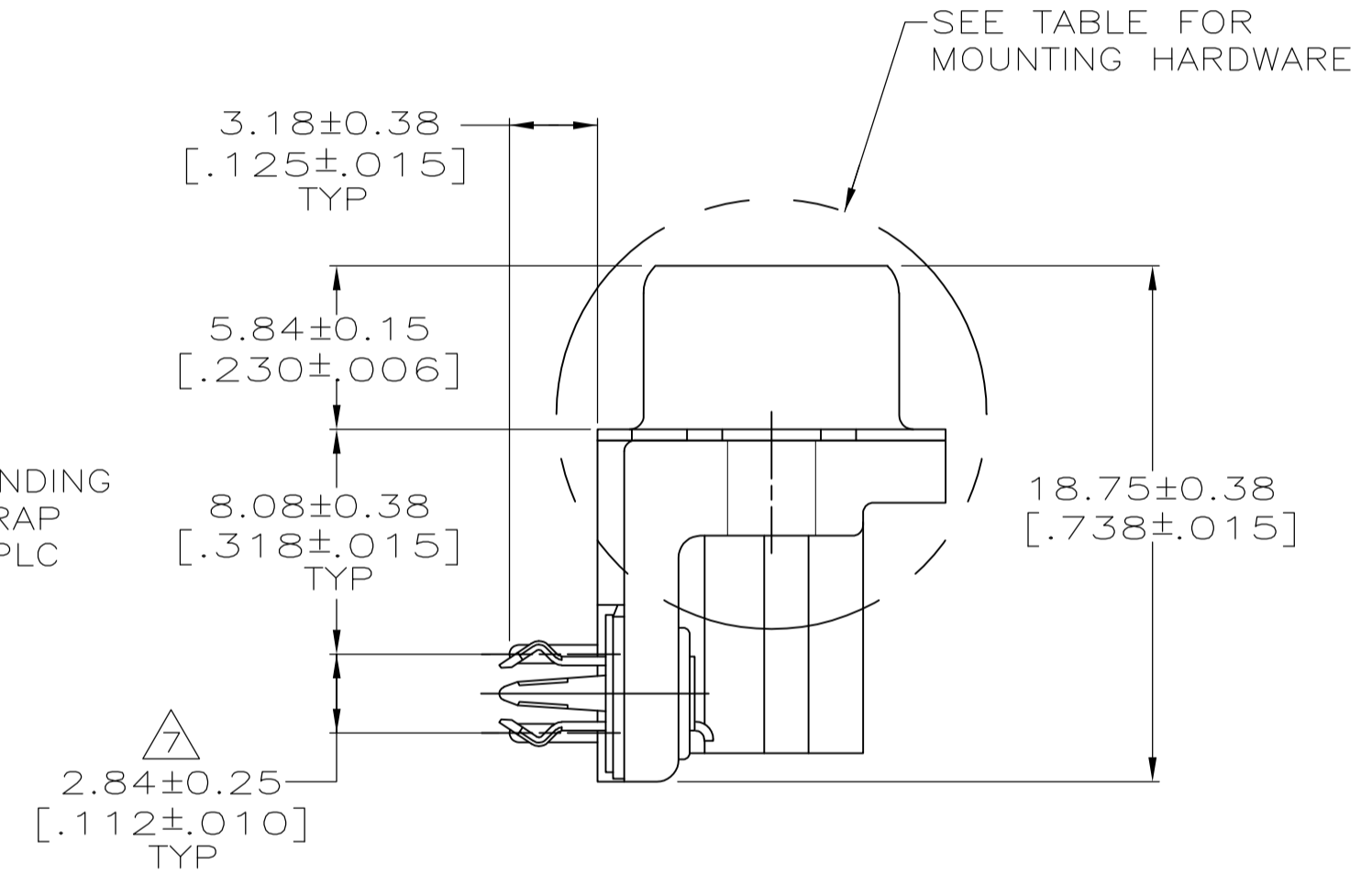
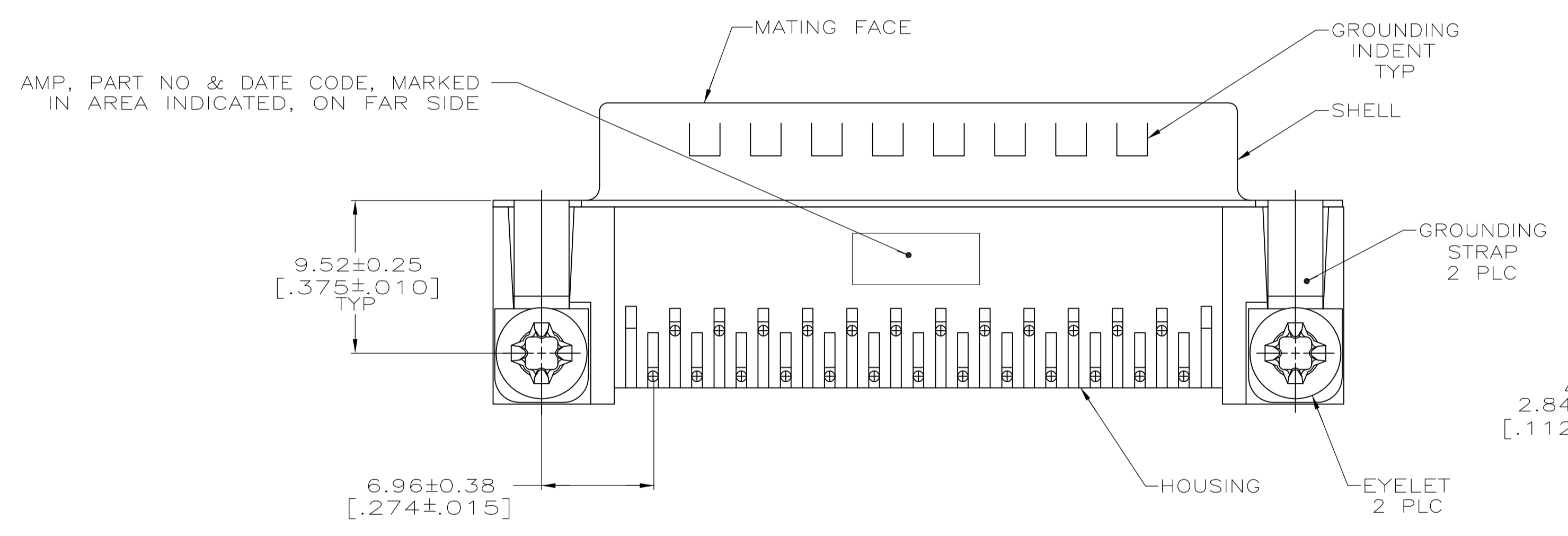
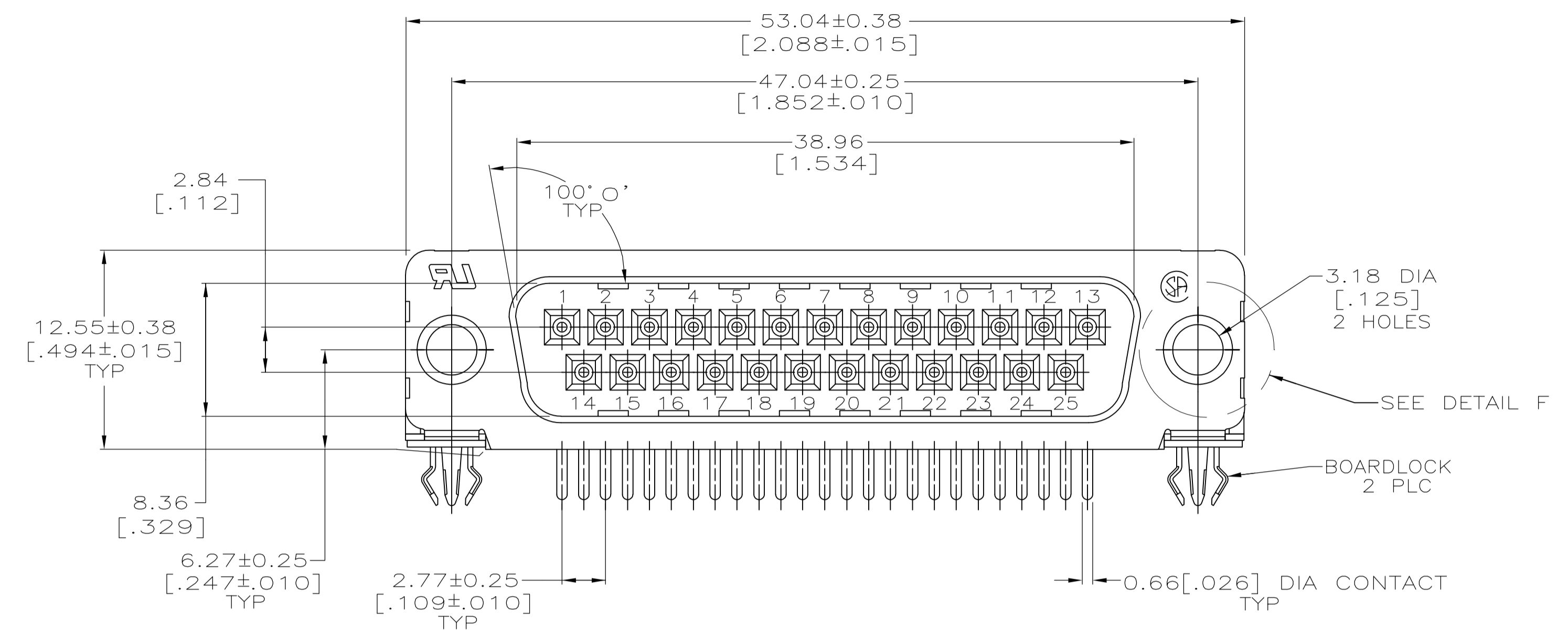
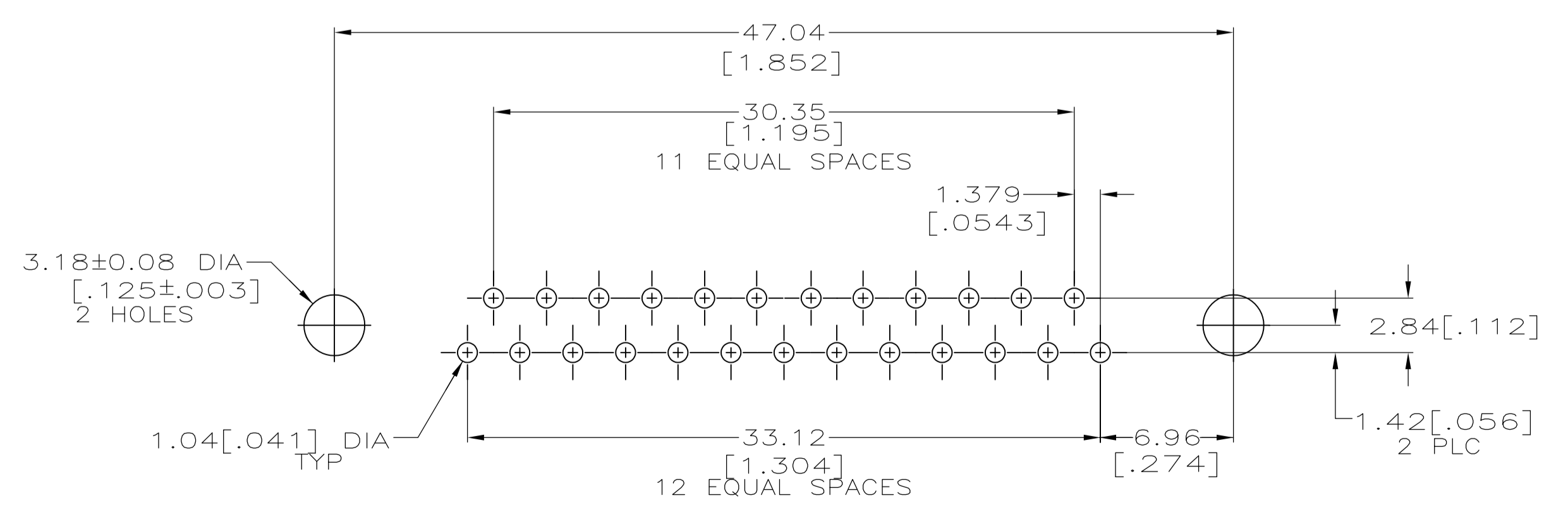


LOC		DIST		REVISIONS			
GP	00	F	LTR	DESCRIPTION	DATE	DMN	APVD
		S		REVISED PER ECO-07-000077	13FEB07	CJV	SB
		S1		REVISED PER ECO-10-000443	15JAN10	KK	AEG

- ① HOUSING: NYLON OR POLYESTER, FLAME RETARDANT 94V-0 RATED, GLASS FILLED, BLACK  
 SHELLS: CARBON STEEL  
 CONTACTS: BRASS  
 BOARDLOCKS: COPPER ALLOY  
 EYELETS: BRASS
- ② SHELLS: 2.54µm [.000100] MIN TIN OVER 1.27µm [.000050] MIN COPPER.  
 EYELETS: 5.08µm [.000200] MIN TIN OVER 1.27µm [.000050] MIN COPPER.  
 CONTACTS: SEE TABLE.  
 BOARDLOCKS: SEE TABLE.  
 INSERTS: CLEAR CHROMATE.  
 SCREWLOCKS: CLEAR CHROMATE.
- ③ GOLD PLATED FOR A LENGTH OF 3.81 [.150] MIN FROM MATING END, GOLD FLASH IN MATED AREA, 2.54µm [.000100] MIN TIN OR TIN-LEAD FOR A LENGTH OF 3.56 [.140] MIN FROM OPPOSITE END, BOTH OVER 1.27µm [.000050] MIN NICKEL.
- ④ GOLD PLATED FOR A LENGTH OF 3.81 [.150] MIN FROM MATING END, 0.76µm [.000030] MIN GOLD IN MATED AREA, 2.54µm [.000100] MIN TIN OR TIN-LEAD FOR A LENGTH OF 3.56 [.140] MIN FROM OPPOSITE END, BOTH OVER 1.27µm [.000050] MIN NICKEL.  
 -OR-  
 GOLD FLASH OVER PALLADIUM NICKEL PLATED FOR LENGTH OF 3.81 [.150] MIN FROM MATING END, 0.76µm [.000030] MIN PALLADIUM NICKEL IN MATED AREA, 2.54µm [.000100] MIN TIN OR TIN-LEAD FOR A LENGTH OF 3.56 [.140] MIN FROM OPPOSITE END, BOTH OVER 1.27µm [.000050] MIN NICKEL.
- ⑤ 5.08µm [.000200] MIN TIN-LEAD OVER 1.27µm [.000050] MIN NICKEL.
- ⑥ 5.08µm [.000200] MIN TIN OVER 1.27µm [.000050] MIN NICKEL.
- ⑦ DIMENSION APPLIES FROM CENTER OF CONTACTS.
- ⑧ SUPERSEDED BY 747842-2.
- ⑨ OBSOLETE PARTS: OBSOLETE CIS STREAMLINING PER D.RENAUD/D.SINISI



FOR -5 AND -6 ONLY  
 DETAIL F  
 2 PLC



RECOMMENDED P.C. BOARD MOUNTING DIMENSIONS  
 P.C. BOARD THICKNESS: 1.57 [0.062]

SEE DETAIL	①	②	③	④	⑤	⑥	⑦	⑧	⑨
SEE DETAIL E	⑥	④	③	④	③	④	③	④	③
SEE DETAIL D	⑥	④	③	④	③	④	③	④	③
SEE DETAIL E	⑥	④	③	④	③	④	③	④	③
SEE DETAIL D	⑥	④	③	④	③	④	③	④	③
-	⑥	④	③	④	③	④	③	④	③
MOUNTING HARDWARE	⑥	④	③	④	③	④	③	④	③
BOARDLOCK FINISH	⑥	④	③	④	③	④	③	④	③
CONTACT FINISH	⑥	④	③	④	③	④	③	④	③
PART STATUS	⑥	④	③	④	③	④	③	④	③
PART NO	⑥	④	③	④	③	④	③	④	③

THIS DRAWING IS A CONTROLLED DOCUMENT.		DWG: W.G.LENKER 10-5-89		Tyco Electronics Corporation	
DIMENSIONS: mm [INCHES]		CHK: R. STONE 2-5-90		Harrisburg, PA 17105-3608	
TOLERANCES UNLESS OTHERWISE SPECIFIED:		APVD: -		NAME: -	
0 PLC ± -		PRODUCT SPEC: 108-40025		PLUG ASSEMBLY, SIZE 3, 25 POSITION, RIGHT ANGLE, FRONT METAL SHELL, .318 SERIES, BOARDLOCKS, AMPLIMITE HD-20	
1 PLC ± -		APPLICATION SPEC: 114-40010		SIZE: A1	
2 PLC ± 0.13[.005]		WEIGHT: -		CAGE CODE: 00779	
3 PLC ± -		MATERIAL: ①		DRAWING NO: 747842	
4 PLC ± -		FINISH: ②		RESTRICTED TO: -	
ANGLES ± 2°		CUSTOMER DRAWING		SCALE: 4:1	
				SHEET 1 OF 1	
				REV: S1	