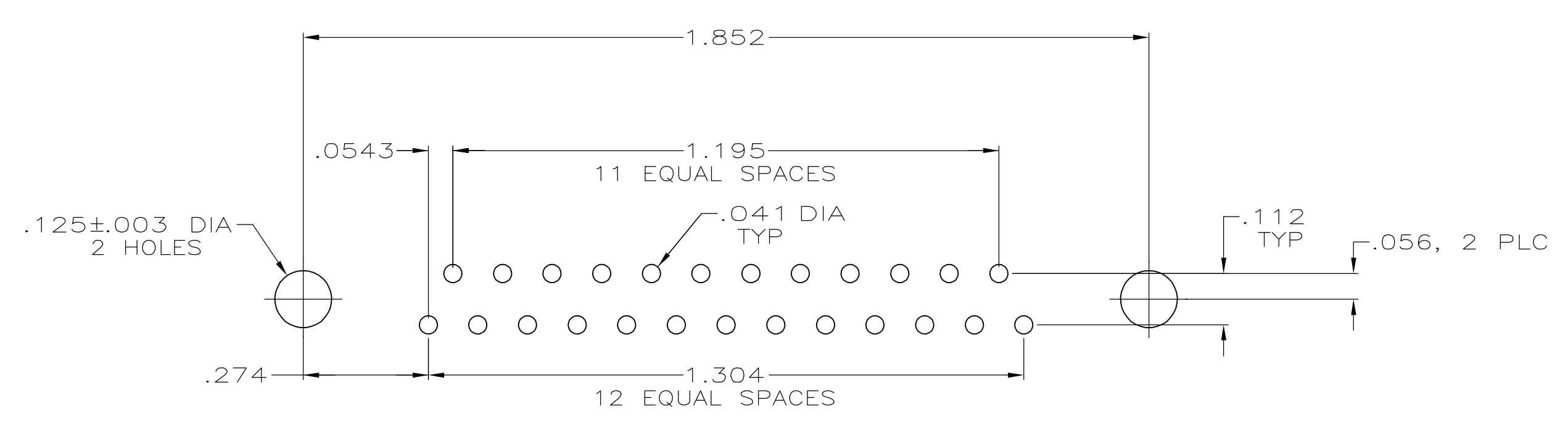
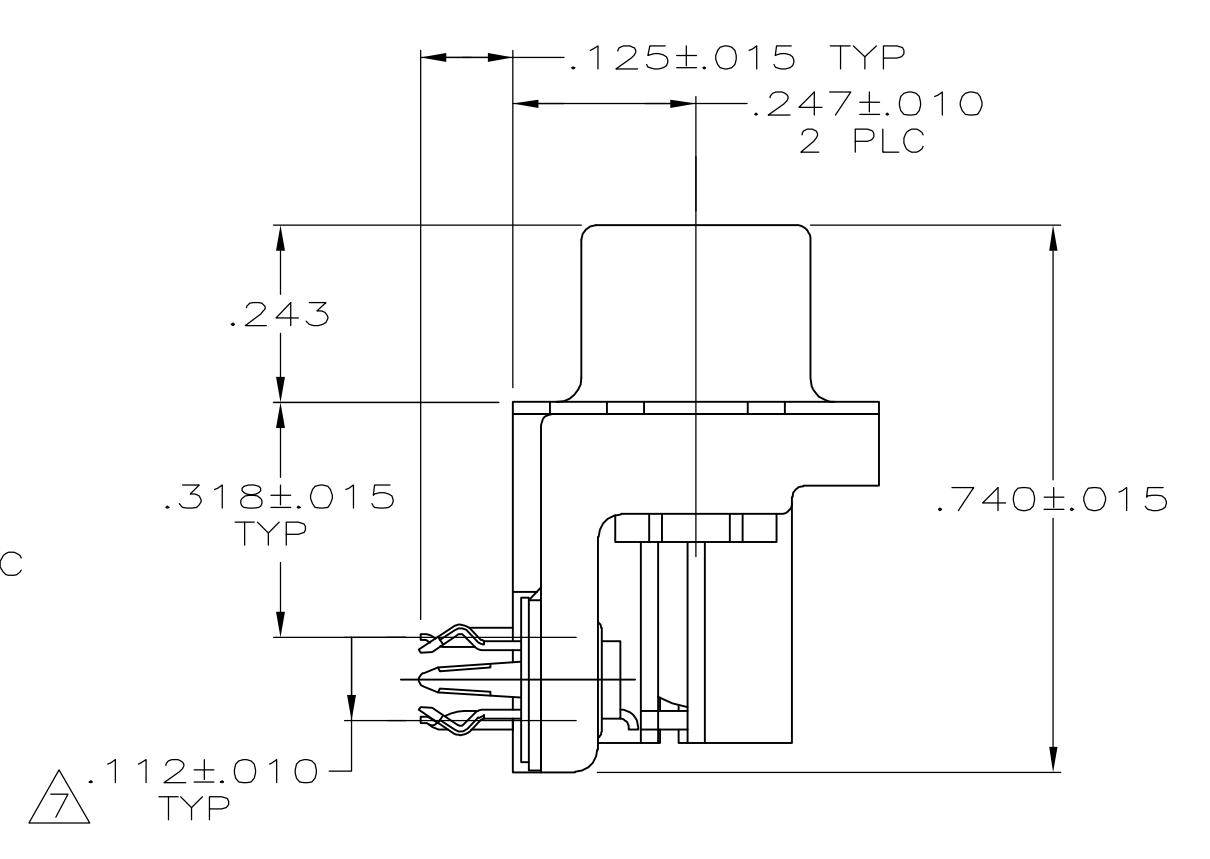
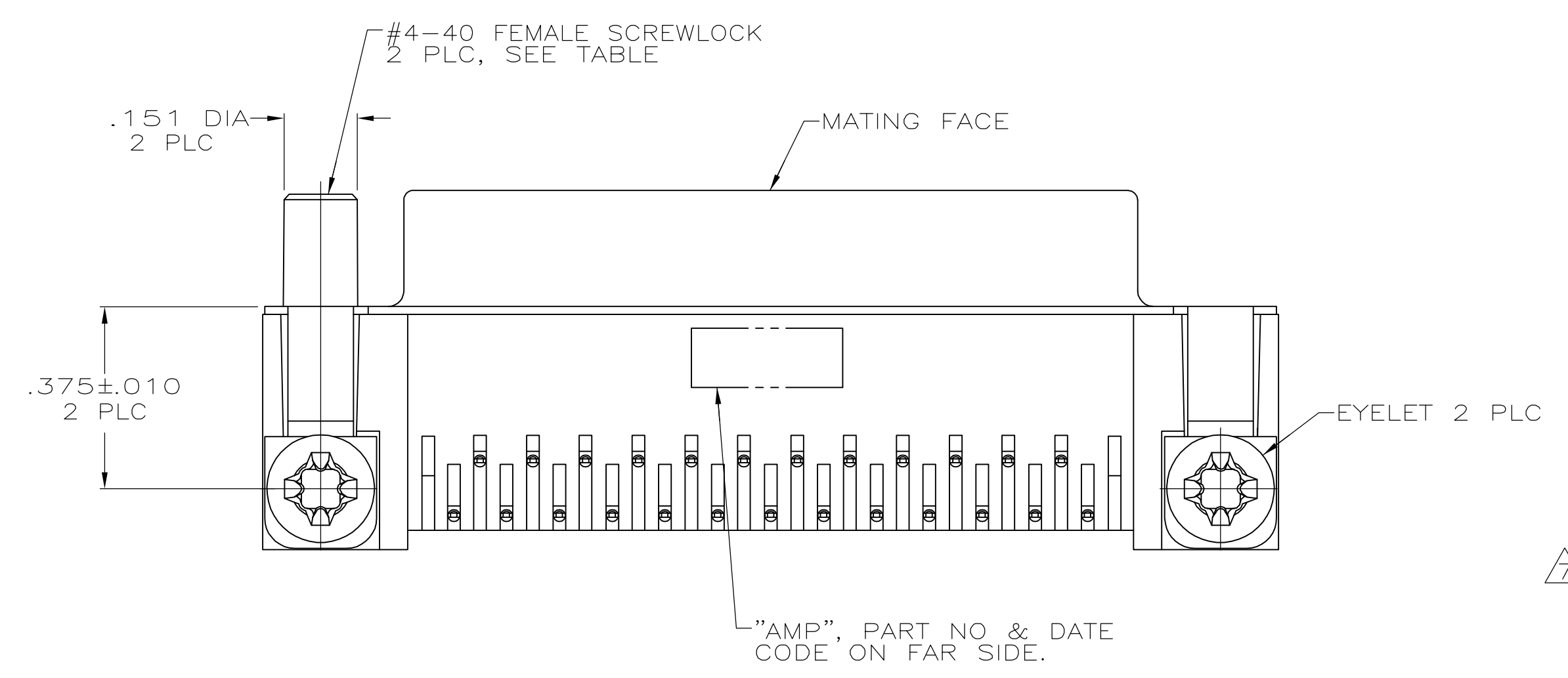
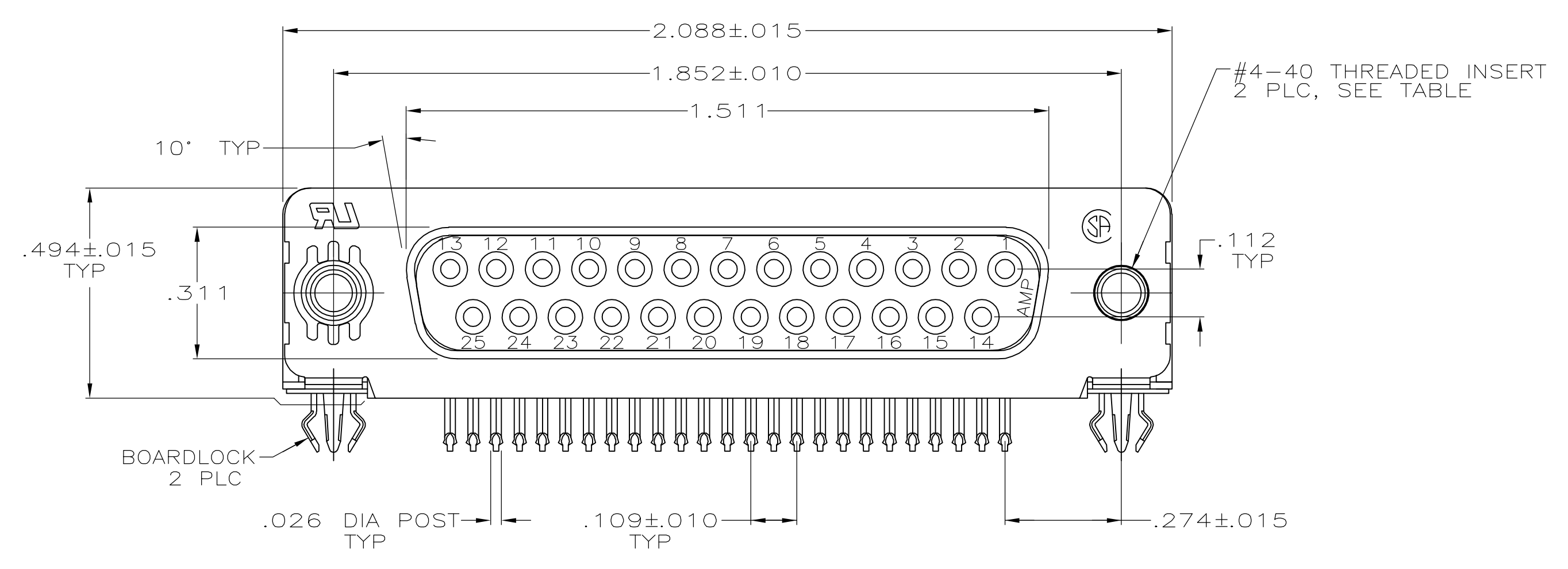


LOC		DIST		REVISIONS			
#	LT/R	DESCRIPTION	DATE	DWN	APVD		
Z		REVISED PER ECO-07-000077	13FEB07	CJW	SB		

1. CONNECTOR MATES WITH ANY 25 POSN PLUG IN AMPLIMITE™ SERIES.
2. MOLDED PARTS: FLAME RETARDANT 94V-0 RATED THERMOPLASTIC, BLACK; POLYESTER PET, UL 94V-0 RATED, BLACK, -7 ONLY.
SHELL: STEEL PER ASTM A109
CONTACTS: PHOSPHOR BRONZE PER QQ-B-750
EYELETS: BRASS
SCREWLOCKS: ZINC
INSERTS: ZINC
BOARDLOCKS: COPPER ALLOY
3. SHELL: .000100 MIN TIN OR TIN-LEAD
CONTACTS: SEE TABLE
EYELETS: TIN
BOARDLOCKS: SEE TABLE
INSERTS AND SCREWLOCKS: CLEAR CHROMATE
4. GOLD PLATING PER MIL-C-45204, NICKEL PLATING PER QQ-N-290, TIN PLATING PER MIL-T-10727.
5. GOLD FLASH FOR A DISTANCE OF .100 MIN FROM MATING END, .000100-.000200 BRIGHT TIN OR BRIGHT TIN-LEAD ON TERMINATION END, ALL OVER .000050 NICKEL ON ENTIRE CONTACT.
6. .000030 GOLD FOR A DISTANCE OF .100 MIN FROM MATING END, .000100-.000200 BRIGHT TIN OR BRIGHT TIN-LEAD ON TERMINATION END, ALL OVER .000050 NICKEL ON ENTIRE CONTACT.
7. DIMENSION APPLIES FROM CENTER OF CONTACTS.
8. CIRCUIT IDENTIFICATION NUMBERS ON POSITIONS 1 AND 14 ONLY.



	-	ZINC	FEMALE SCREWLOCKS	TIN	6-747846-9
	TRAY	ZINC	THREADED INSERTS	TIN	6-747846-8
	-	ZINC	THREADED INSERTS	TIN	6-747846-7
SUPSD BY 747846-4	TUBE	ZINC	THREADED INSERTS	TIN-LEAD	747846-9
OBSELETE	-	BRASS	ULTRASONIC THREADED INSERTS	TIN-LEAD	747846-7
	-	ZINC	FEMALE SCREWLOCKS	TIN-LEAD	747846-6
	-	ZINC	FEMALE SCREWLOCKS	TIN-LEAD	747846-5
	TRAY	ZINC	THREADED INSERTS	TIN-LEAD	747846-4
	-	ZINC	THREADED INSERTS	TIN-LEAD	747846-3
OBSELETE	-	-	.125 DIA HOLES	TIN-LEAD	747846-2
SUPSD BY 747846-2	-	-	.125 DIA HOLES		747846-1

PACKAGING	INSERT MATERIAL	MOUNTING HARDWARE	BOARDLOCK FINISH	CONTACT FINISH	PART NUMBER

THIS DRAWING IS A CONTROLLED DOCUMENT.		DWN J. GALLUCCI/BG 28-JAN-91		AMP Incorporated Harrisburg, PA 17105-3608	
DIMENSIONS: INCHES		CHK W.G. LENKER 15-APR-91		APVD J. YOUNG 15-APR-91	
TOLERANCES UNLESS OTHERWISE SPECIFIED:		PRODUCT SPEC: 108-40025		NAME RECEPTACLE ASSEMBLY, SIZE 3, 25 POSITION, RIGHT ANGLE, FRONT METAL SHELL, .318 SERIES.	
0 PLC ±		APPLICATION SPEC: 114-40010		SIZE CAGE CODE DRAWING NO	
1 PLC ±		WEIGHT		RESTRICTED TO	
2 PLC ±		CUSTOMER DRAWING		SCALE 4:1 SHEET 1 OF 1 REV 7	
3 PLC ±.005					
4 PLC ±					
ANGLES ±					
FINISH					