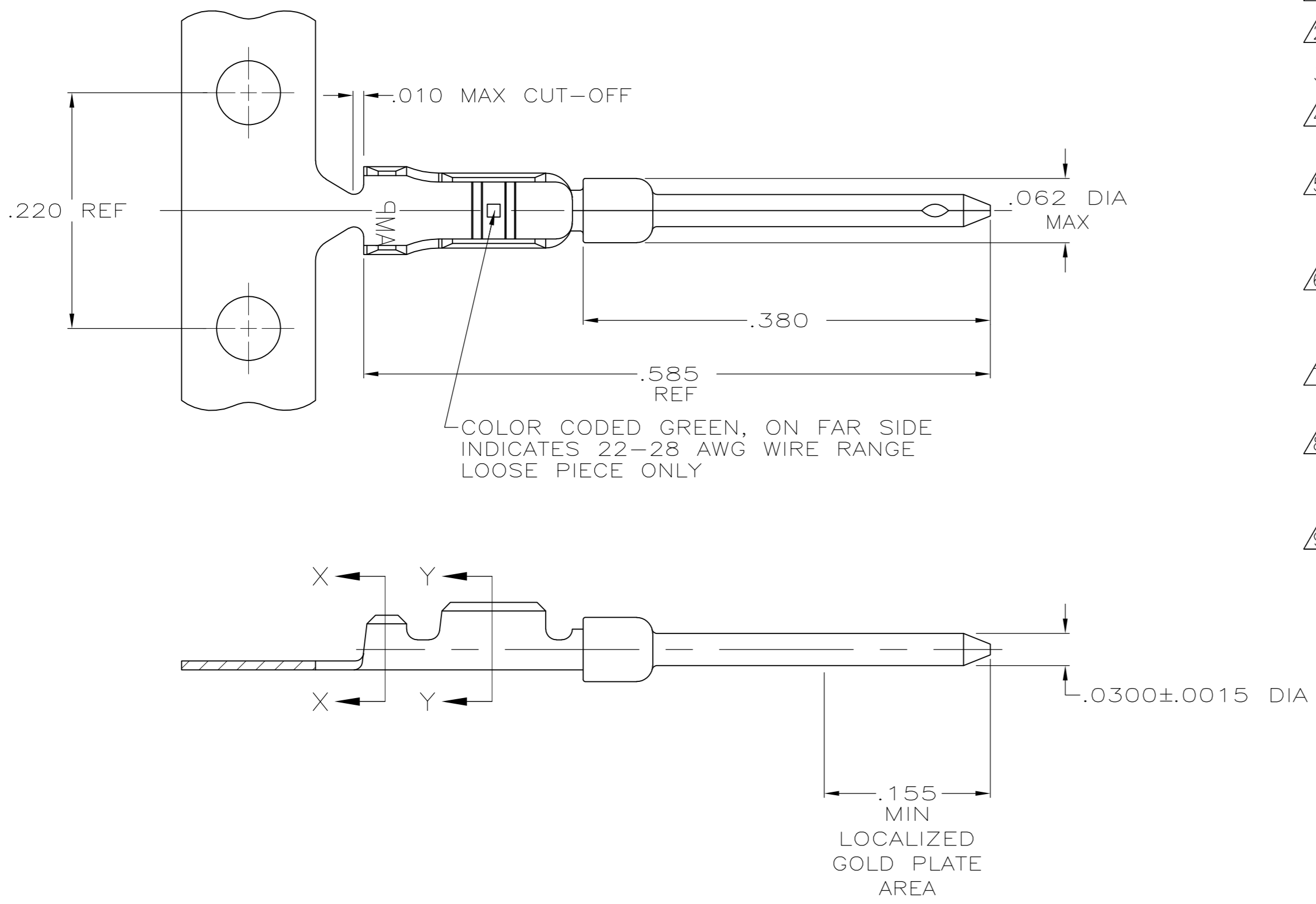
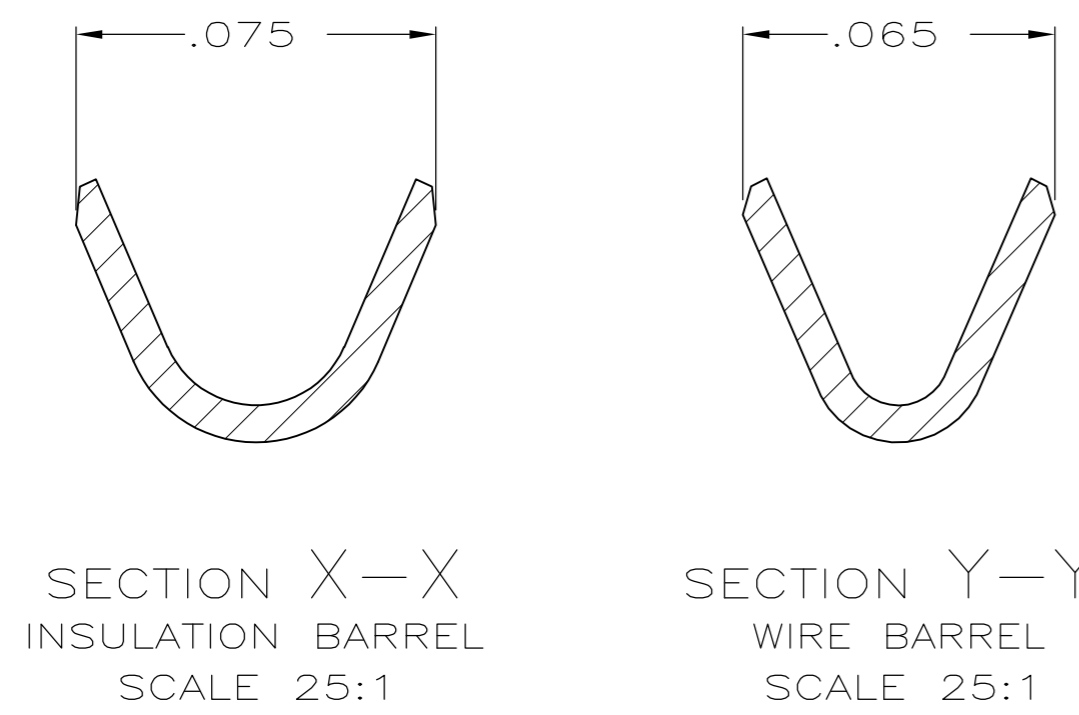


THIS DRAWING IS UNPUBLISHED. RELEASED FOR PUBLICATION
 © COPYRIGHT BY TYCO ELECTRONICS CORPORATION. ALL RIGHTS RESERVED.

LOC	DIST	REVISIONS			
P	LTR	DESCRIPTION	DATE	DWN	APVD
GP	00	J3	REVISED PER ECO-07-008164	15AUG07	JDP/CWR



- ① FOR MINI APPLICATOR.
- ② FOR HAND TOOL USE ONLY.
- 3. WIRE RANGE OF 22-28, INSULATION RANGE OF .030-.040.
- ④ GOLD PLATING PER MIL-G-45204, NICKEL PLATING PER QQ-N-290, TIN PLATING PER MIL-T-10727.
- ⑤ GOLD PLATED IN LOCALIZED GOLD PLATED AREA, 000030 MIN GOLD IN MATED AREA, .000100 MIN TIN IN WIRE & INSULATION BARRELS, BOTH OVER .000050 MIN NICKEL.
- ⑥ GOLD FLASH IN LOCALIZED GOLD PLATE AREA, .000100 MIN TIN IN WIRE & INSULATION BARRELS, BOTH OVER .000030 MIN NICKEL.
- ⑦ .000050 MIN GOLD OVER .000050 MIN NICKEL ON ENTIRE CONTACT.
- ⑧ GOLD PLATED IN LOCALIZED GOLD PLATED AREA, 000015 MIN GOLD IN MATED AREA, .000100 MIN TIN IN WIRE & INSULATION BARRELS, BOTH OVER .000050 MIN NICKEL.
- ⑨ GOLD PLATING ON THE CARRIER STRIP IS NOT REQUIRED.



PACKAGING TYPE	FINISH	USE	TYPE	PART NUMBER
SUPERSEDED BY 748333-2	STANDARD	⑧ ⑨	①	STRIP 1-748333-5
OBSOLETE	SMALL PACK	⑤	②	LOOSE PIECE 1-748333-4
	STANDARD	⑦ ⑨	①	STRIP 748333-9
OBSOLETE AMP BRAZIL USE ONLY	STANDARD	-	①	STRIP 748333-8
OBSOLETE	STANDARD	⑥	②	LOOSE PIECE 748333-7
OBSOLETE	STANDARD	⑥	①	STRIP 748333-5
OBSOLETE	STANDARD	⑤	②	LOOSE PIECE 748333-4
OBSOLETE	STANDARD	⑤	①	STRIP 748333-2

THIS DRAWING IS A CONTROLLED DOCUMENT.		DWN C.RICHARD 09/25/86	Tyco Electronics Corporation Harrisburg, PA 17105-3608	
DIMENSIONS: INCHES		CHK S.WELDON 09/26/86	NAME	
TOLERANCES UNLESS OTHERWISE SPECIFIED:		APVD -	PRODUCT SPEC	
0 PLC ± -		APVD -	APPLICATION SPEC	
1 PLC ± -		APVD -	SIZE CAGE CODE DRAWING NO	
2 PLC ± -		APVD -	RESTRICTED TO	
3 PLC ± .005		APVD -	A2 00779 C=748333	
4 PLC ± -		APVD -	SCALE 10:1 SHEET 1 of 1 REV J3	
ANGLES ± -		APVD -	CUSTOMER DRAWING	
MATERIAL BRASS PER MIL-C-50	FINISH SEE TABLE, NOTE 4	WEIGHT -		

748333