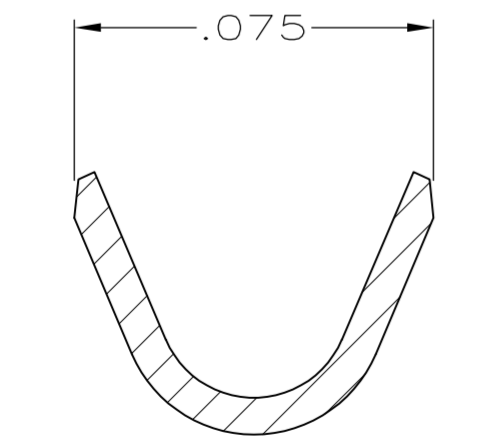
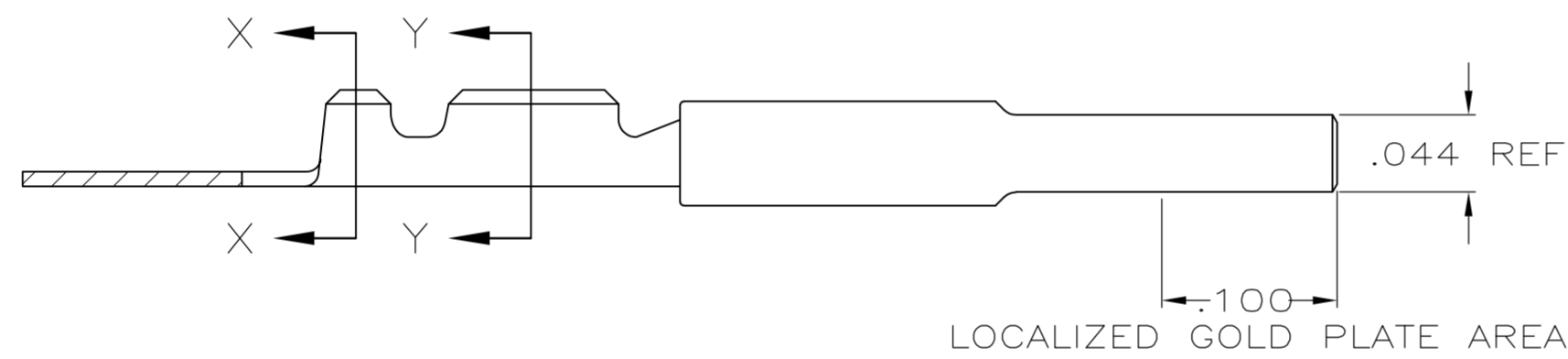
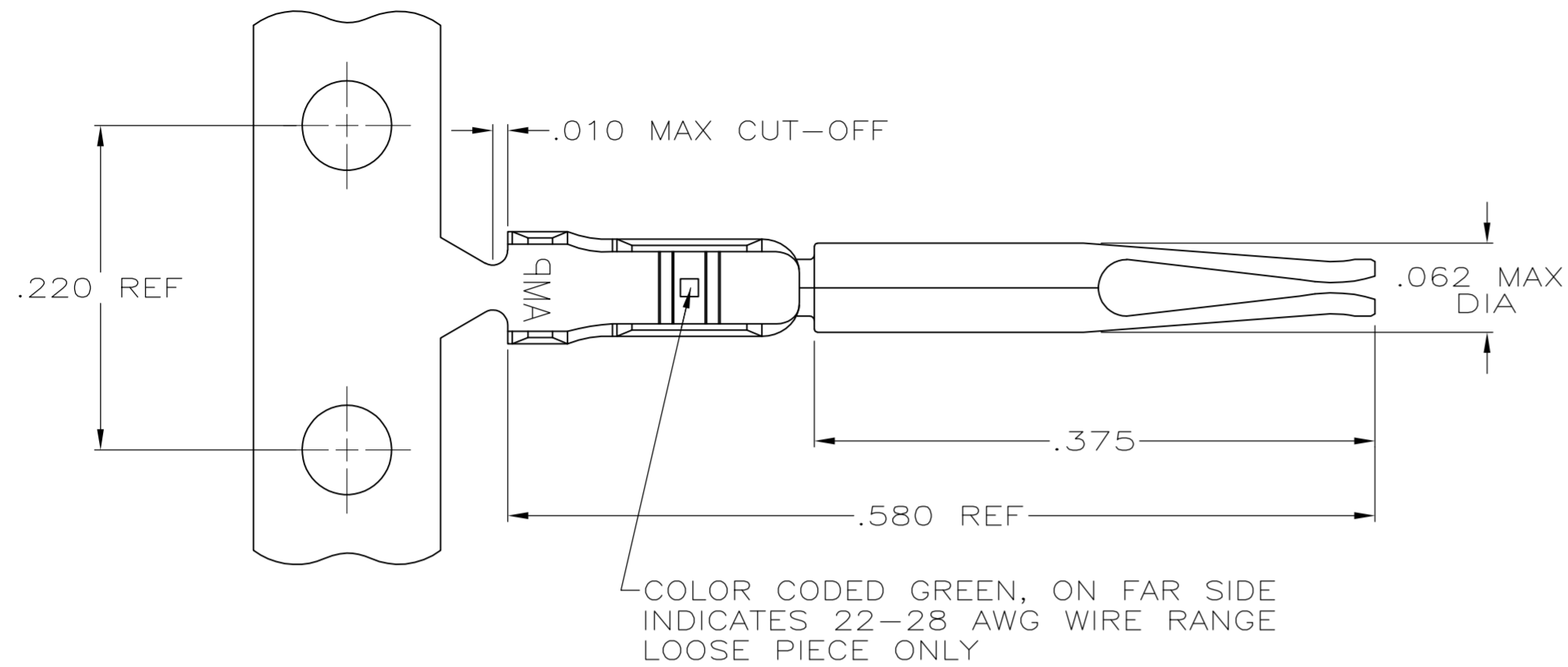
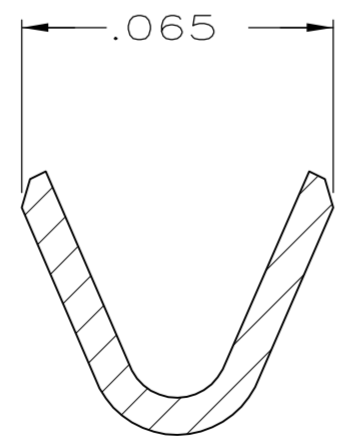


THIS DRAWING IS UNPUBLISHED. RELEASED FOR PUBLICATION
 © COPYRIGHT BY TYCO ELECTRONICS CORPORATION. ALL RIGHTS RESERVED.

LOC	DIST	REVISIONS			
P	LTR	DESCRIPTION	DATE	DWN	APVD
GP	00	H	REVISED PER ECO-08-019103	19AUG2008	ZMRCWR



SECTION X-X
INSULATION BARREL



SECTION Y-Y
WIRE BARREL

- 1 FOR MINI APPLICATOR.
- 2 FOR HAND TOOL USE ONLY.
- 3. WIRE RANGE OF 22-28, INSULATION RANGE OF .030-.040.
- 4 GOLD PLATING PER MIL-G-45204, NICKEL PLATING PER QQ-N-290, TIN PLATING PER MIL-T-10727.
- 5 PLATED WITH .000030 GOLD IN LOCALIZED GOLD PLATE AREA, TIN PLATED WIRE BARRELS, OVER .000050 NICKEL.
- 6 PLATED WITH GOLD FLASH IN LOCALIZED GOLD PLATE AREA, TIN PLATED WIRE BARRELS, OVER .000030 NICKEL.
- 7 PLATED WITH .000050 GOLD ON INSIDE OF LOCALIZED GOLD PLATE AREA, .000050 GOLD ON REMAINDER, ALL OVER .000050 NICKEL UNDERPLATE.
- 8 GOLD PLATING ON THE CARRIER STRIP IS NOT REQUIRED.
- 9 OBSOLETE.

SMALL PACK	6	9	748610-7	9	1-748610-1
-	7	8	748610-9	9	748610-8
STANDARD	6	9	748610-7	9	748610-5
-	5	9	748610-4	9	748610-2
PACKAGING	FINISH 4	LOOSE PIECE 2	PART NUMBER 1		

DIMENSIONS: INCHES		TOLERANCES UNLESS OTHERWISE SPECIFIED:		MATERIAL		FINISH	
0 PLC	± -	1 PLC	± -	PHOS BRONZE PER	SEE TABLE	WEIGHT	-
1 PLC	± -	2 PLC	± -	QQ-B-750		CUSTOMER DRAWING	
2 PLC	± -	3 PLC	± .005			SCALE	10:1
3 PLC	± -	4 PLC	± -			SHEET	1 of 1
4 PLC	± -	ANGLES	± 0' 30"			REV	H

THIS DRAWING IS A CONTROLLED DOCUMENT.		DWN		TycO Electronics		Tyco Electronics Corporation	
CHK	W.LENKER	1-14-88		Harrisburg, PA 17105-3608		SOCKET CONTACT, SIZE 22 DF, 22-28 AWG, W/.030-.040 DIA INSULATION SUPPORT	
APVD	V.KUMAR	1-19-88		SIZE	A2	CAGE CODE	00779
PRODUCT SPEC				DRAWING NO	C=748610	RESTRICTED TO	-
APPLICATION SPEC							