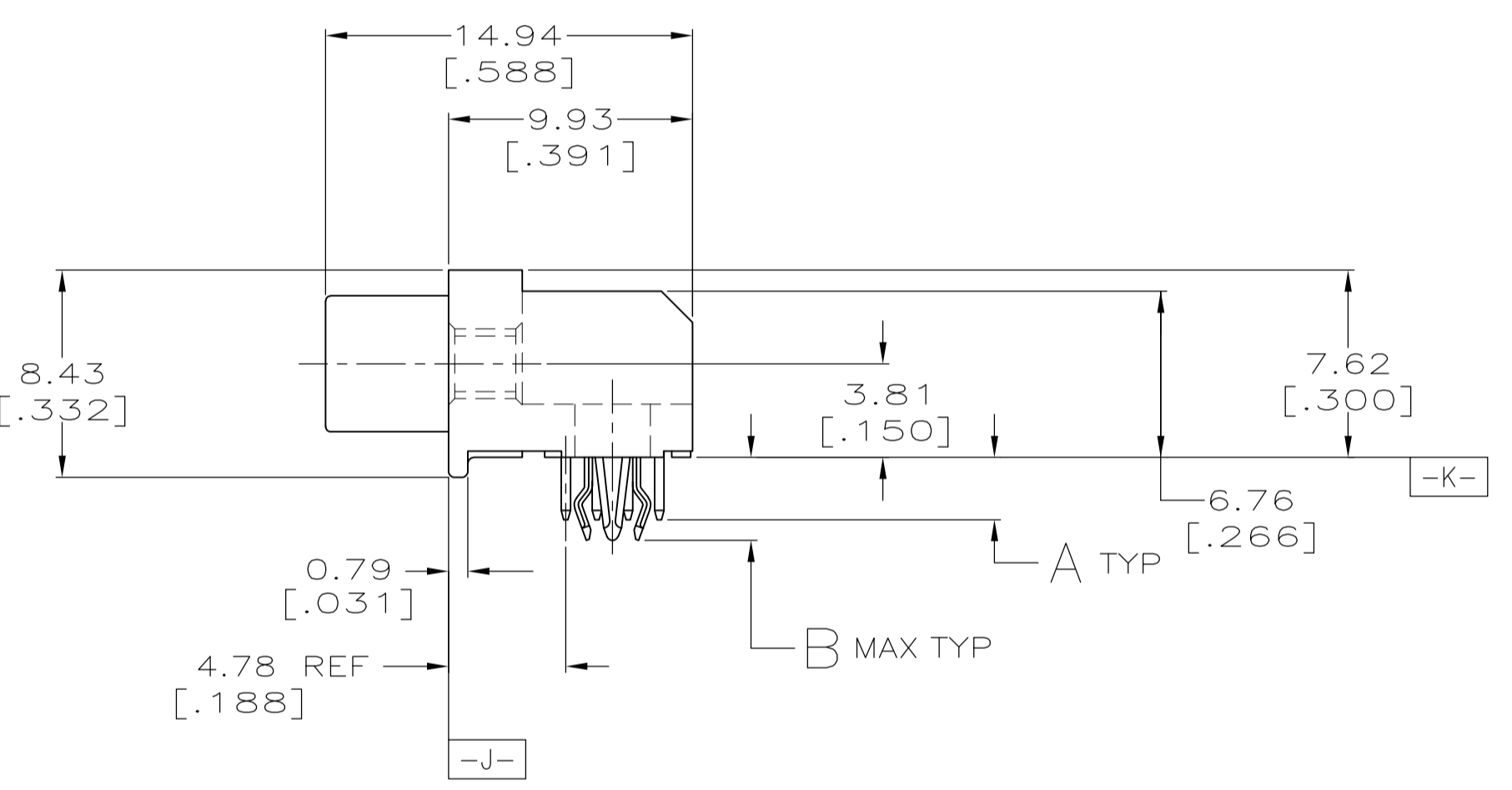
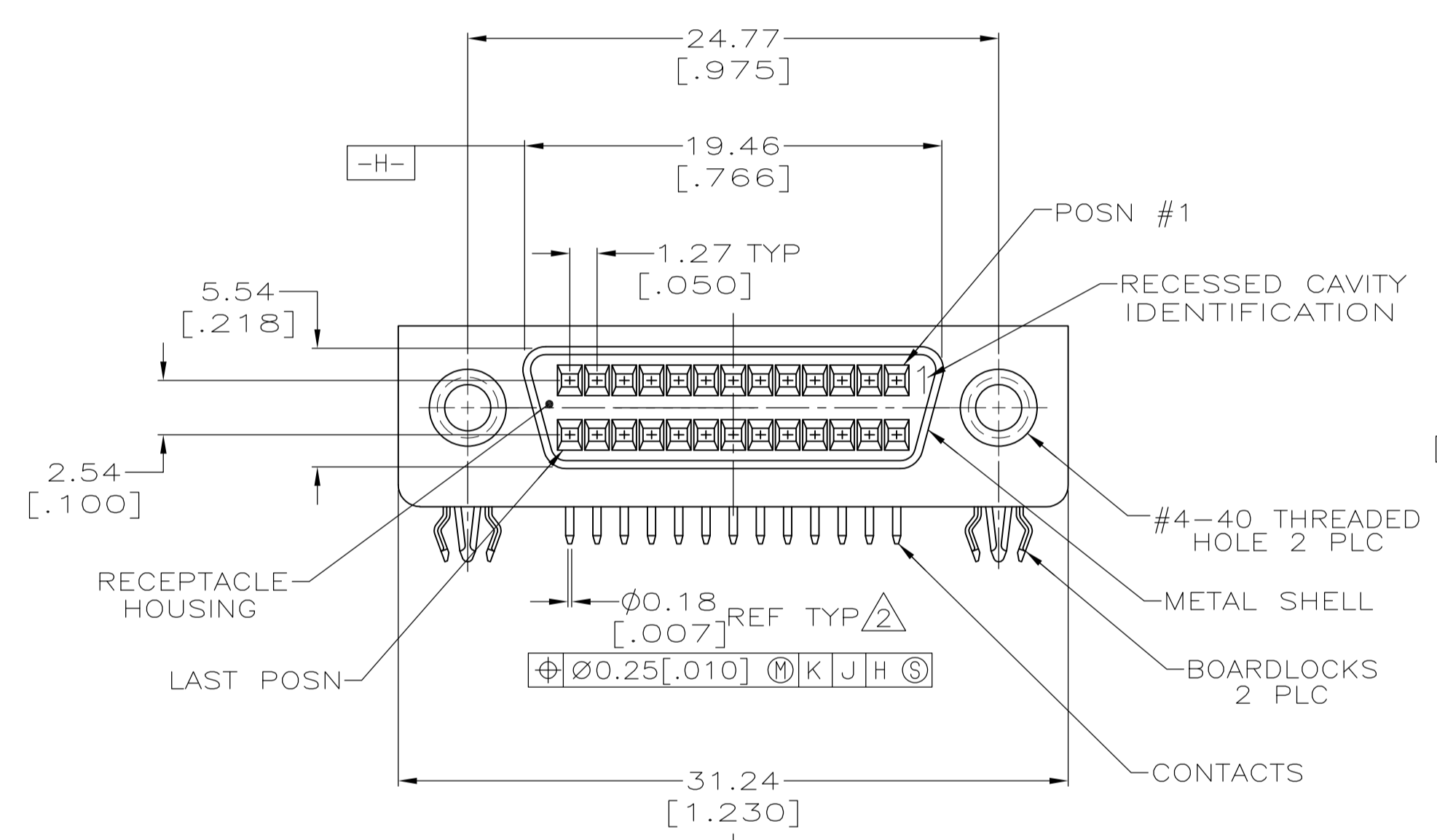
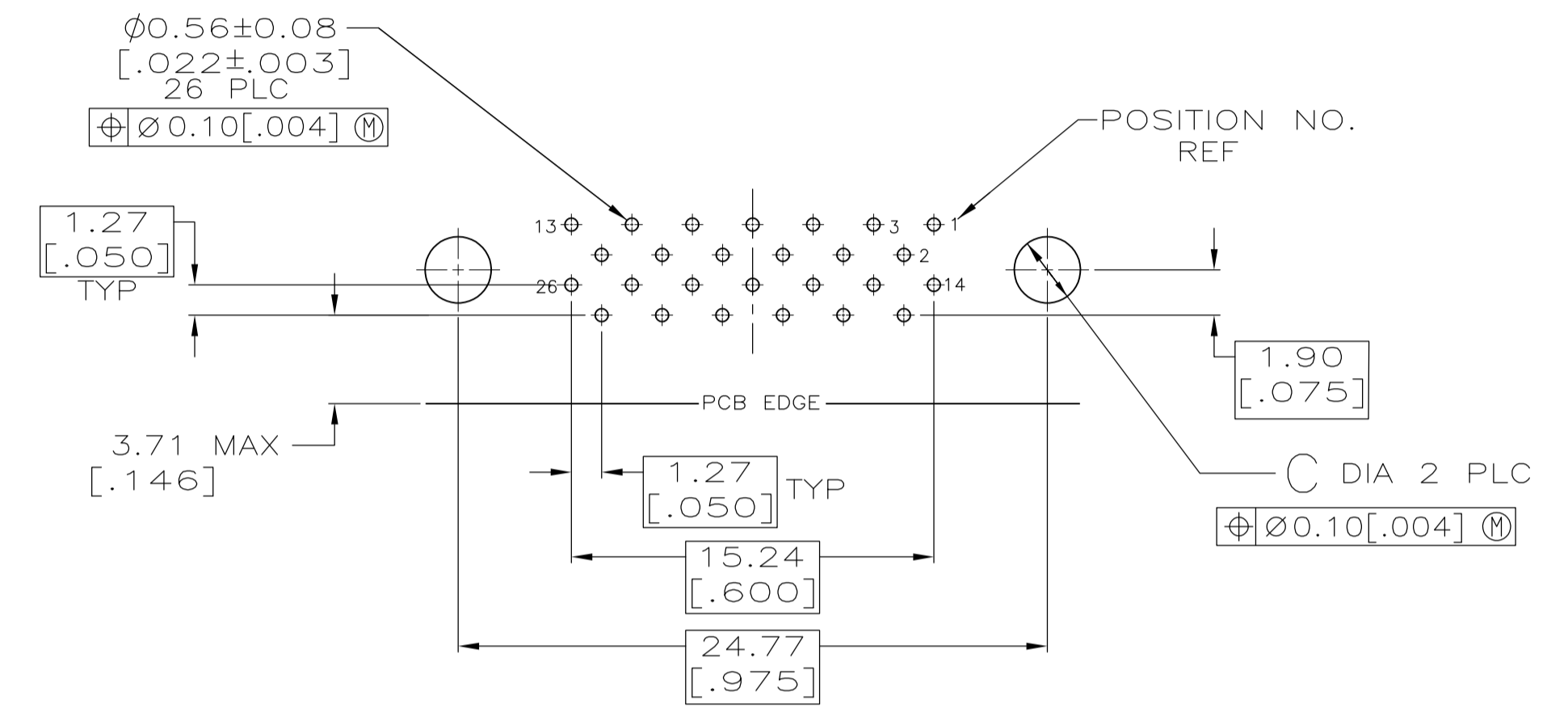
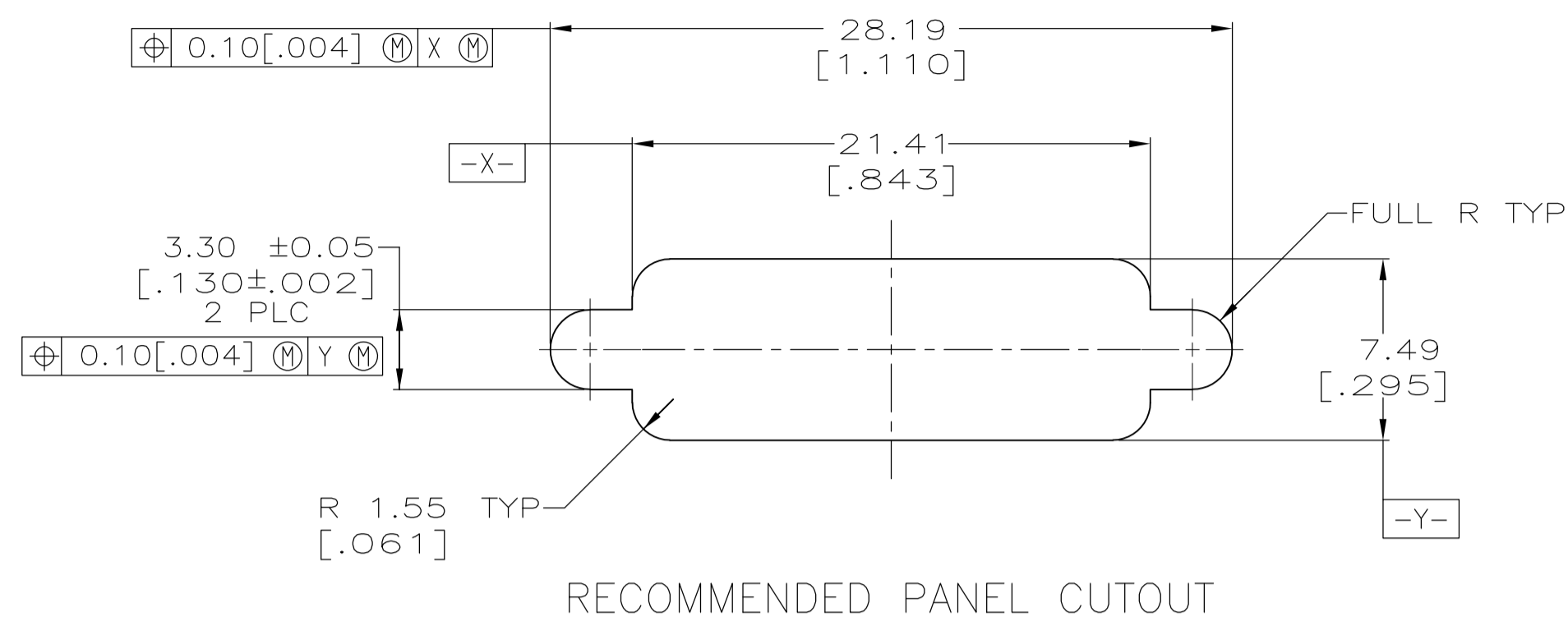
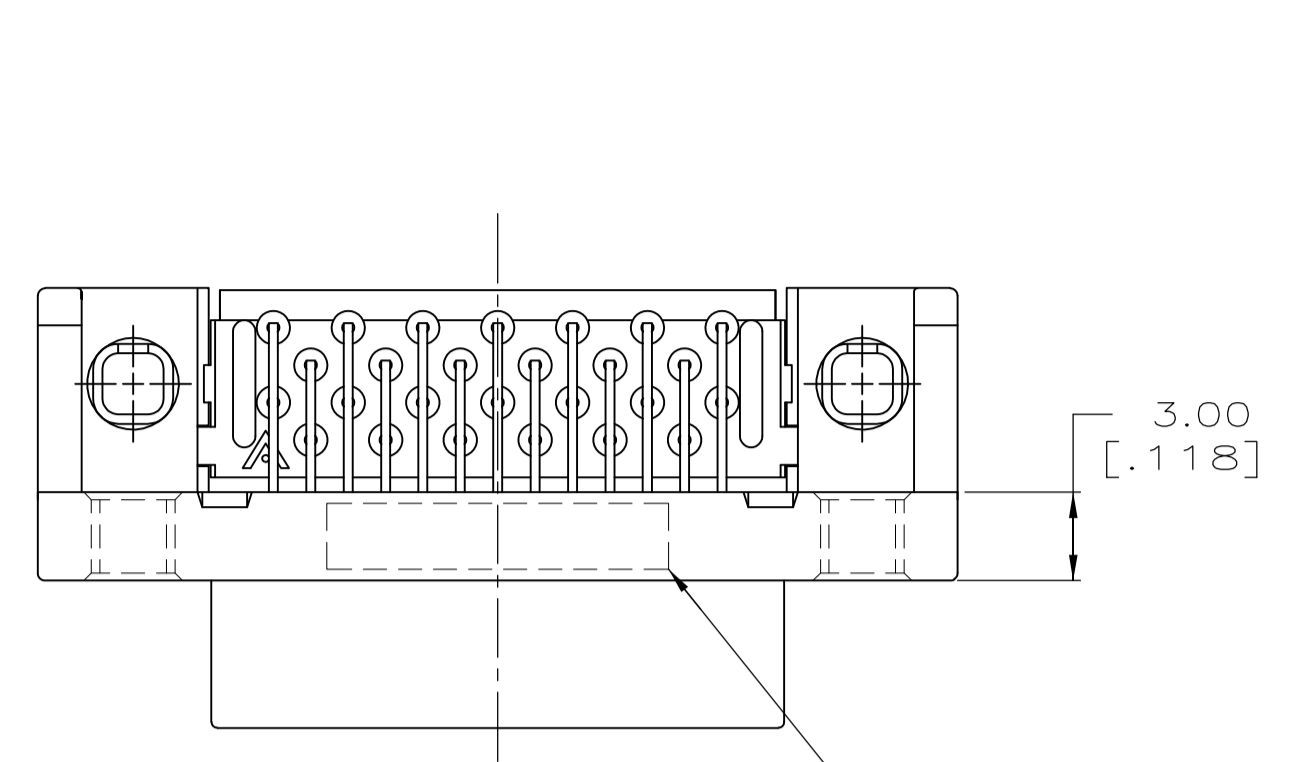
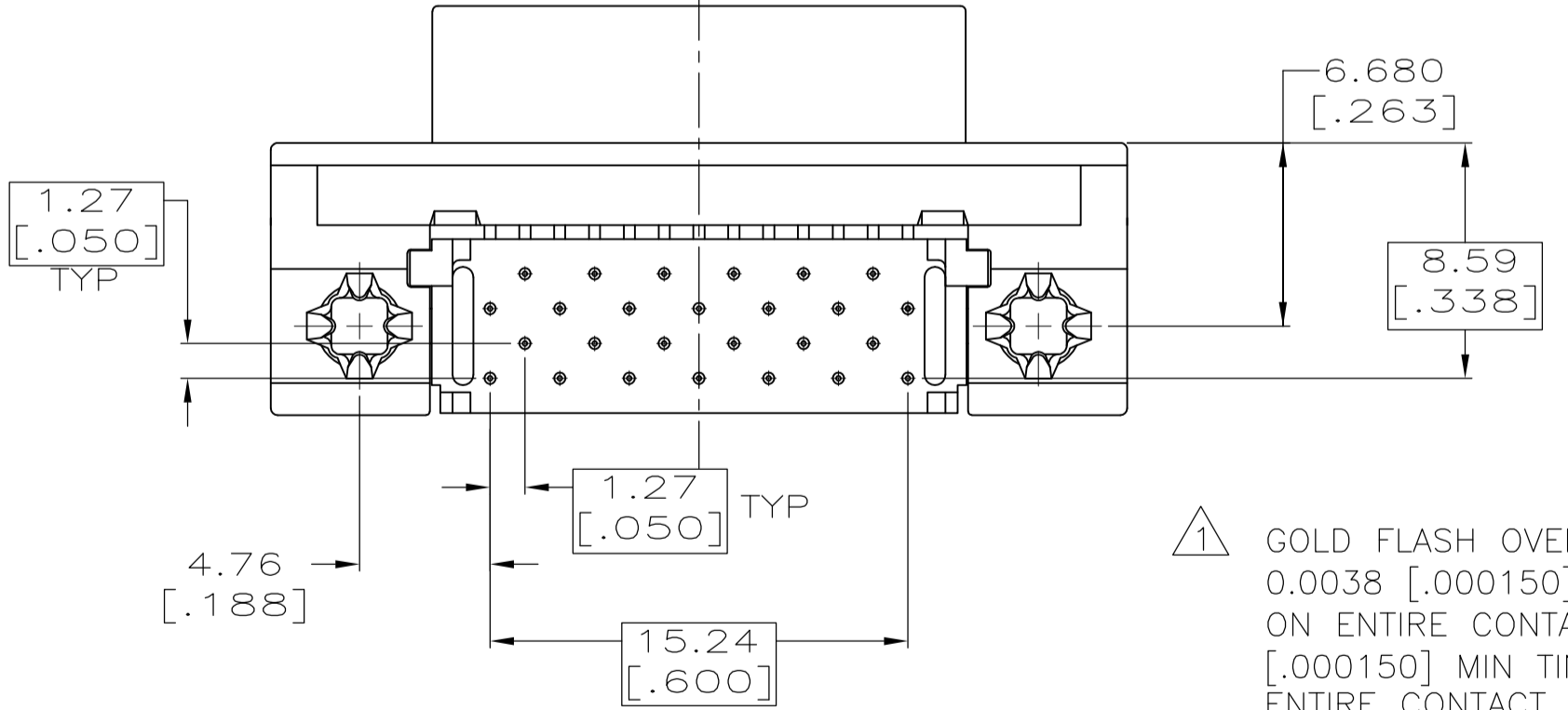


LOC		DIST		P		F		ZONE		LTR		REVISIONS		
GP	00											DESCRIPTION	DATE	APPD
												REVISED PER ECO-10-013809	20JUL10	SB



P.C. BOARD MOUNTING DIMENSIONS
CONNECTOR SIDE
P.C. BOARD THICKNESS = D



- 1 GOLD FLASH OVER PALLADIUM-NICKEL PLATE, 0.00076 [.000030] MIN TOTAL ON MATING SURFACES, 0.0038 [.000150] MIN TIN-LEAD PLATE ON SOLDER-TAILS, 0.00127 [.000050] MIN NICKEL UNDERPLATE ON ENTIRE CONTACT. -OR- 0.00076 [.000030] MIN GOLD FLASH ON MATING SURFACES, 0.0038 [.000150] MIN TIN-LEAD PLATE ON SOLDER-TAILS, 0.00127 [.000050] MIN NICKEL UNDERPLATE ON ENTIRE CONTACT.
- 2 POSITION TOLERANCE APPLIES AT TIP ONLY.
- 3 MATERIAL: CONTACTS-PHOSPHOR BRONZE, RECEPTACLE HOUSING-UL 94V-0 RATED LCP, COLOR BLACK, BRACKET-ZINC, METAL SHELL-CARBON STEEL, BOARDLOCKS-COPPER ALLOY.
- 4 0.00508-0.01016 [.000200-.000400] TIN OVER 0.00127-0.00254 [.000050-.000100] COPPER.
- 5 0.00508-0.01016 [.000200-.000400] TIN-LEAD OVER 0.00508-0.00762 [.000200-.000300] COPPER.
- 6 0.00508-0.01016 [.000200-.000400] TIN-LEAD OVER 0.00127-0.00254 [.000050-.000100] NICKEL.
- 7 GOLD FLASH OVER 1.02µm [.000040] MIN PALLADIUM NICKEL ON MATING END, 1.27µm [.000050] MIN TIN-LEAD ON SOLDER END, ALL OVER 1.27µm [.000050] MIN NICKEL.
- 8 OBSOLETE PARTS: OBSOLETE CIS STREAMLINING PER D.RENAUD/D.SINISI

8	OBSOLETE	1.57±0.20 [.062±.008]	2.77±0.05 [.109±.002]	3.81 [.150]	2.54 [.100]	△	750823-3
	OBSOLETE	2.36±0.23 [.093±.009]	3.18±0.08 [.125±.003]	4.52 [.178]	3.30 [.130]	△	750823-2
		1.57±0.20 [.062±.008]	2.77±0.05 [.109±.002]	3.81 [.150]	2.54 [.100]	△	750823-1
						D	C
						B	A
						CONTACT FINISH	PART NUMBER

DO NOT SCALE PRINT. UNLESS SPECIFIED DIMENSIONS IN mm [INCHES] TOLERANCES - ON : 2 PLC DEC ± 0.13 [.005] 3 PLC DEC ± - ANGLES ± 2'	DR 05-30-91 John A. Root CHK 05-30-91 J. BROSCARD APPD 05-30-91 J. BROSCARD	AMP Incorporated Harrisburg, PA 17105-3608
MATERIAL	APPD 07-02-91 R. Whiteman PRODUCT SPEC	
FINISH CONTACT: SEE TABLE METAL SHELL: 4 BOARDLOCKS: 6	APPLICATION SPEC	NAME RECEPTACLE ASSEMBLY, SHIELDED, 26 POSN, RIGHT ANGLE, AMPLIMITE®.050 Series SLIMLINE
	SIZE D CAGE CODE 00779 DRAWING NO 750823 SCALE 4:1	WEIGHT - SHEET 1 OF 1