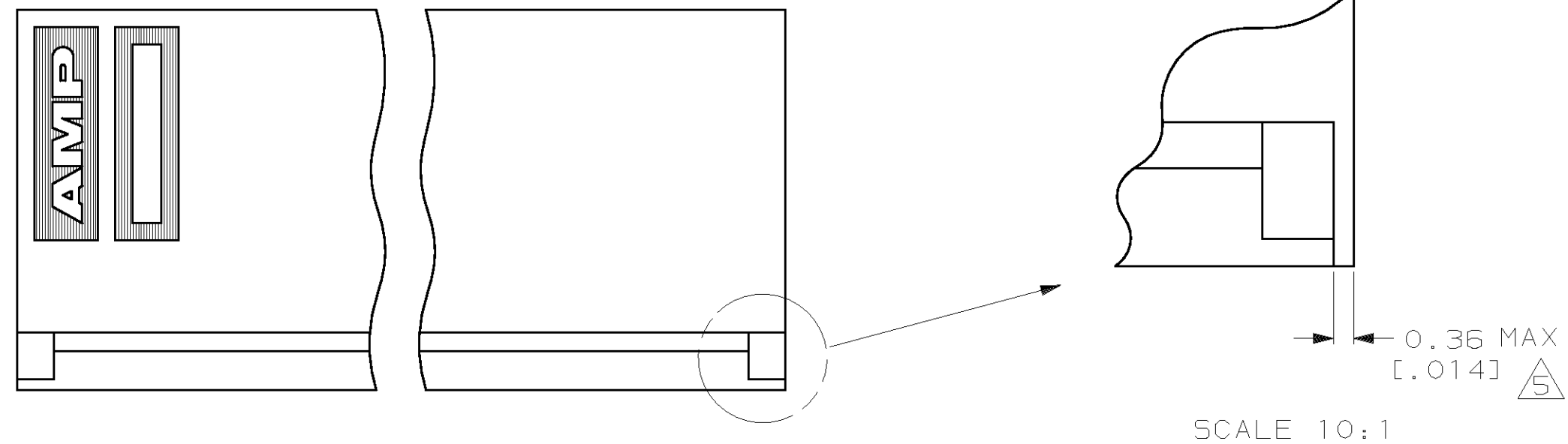
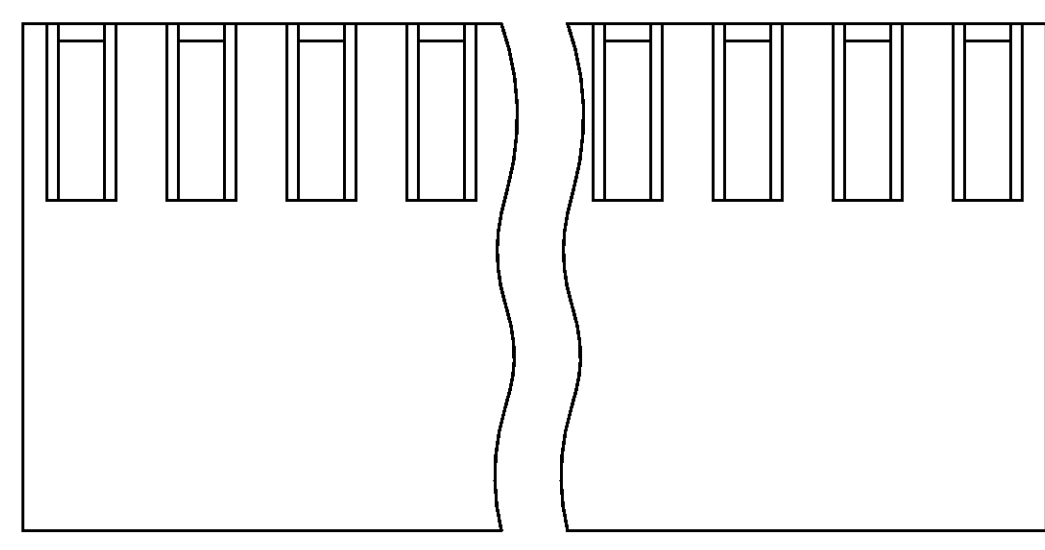
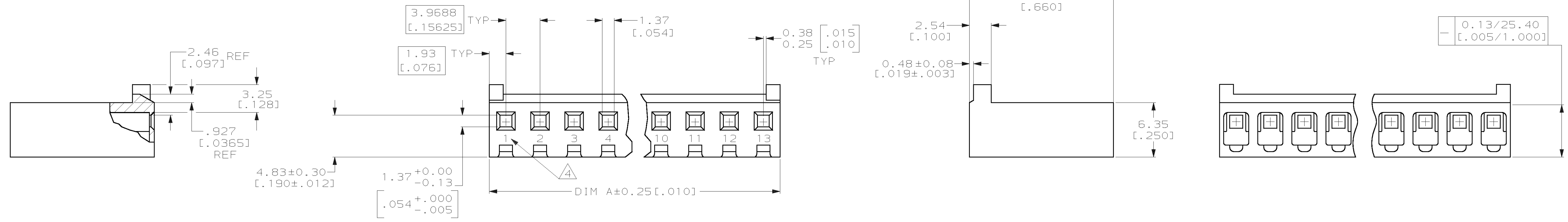


LOC				DIST				REVISIONS							
CM	P	F	ZONE	LTR	DESCRIPTION	DATE	APPD	CM	P	F	ZONE	LTR	DESCRIPTION	DATE	APPD
CM					RLSD -19, -20, -21, -23, -24	8-5-98	JH								
					PER EC 061B-0170-98		RS								

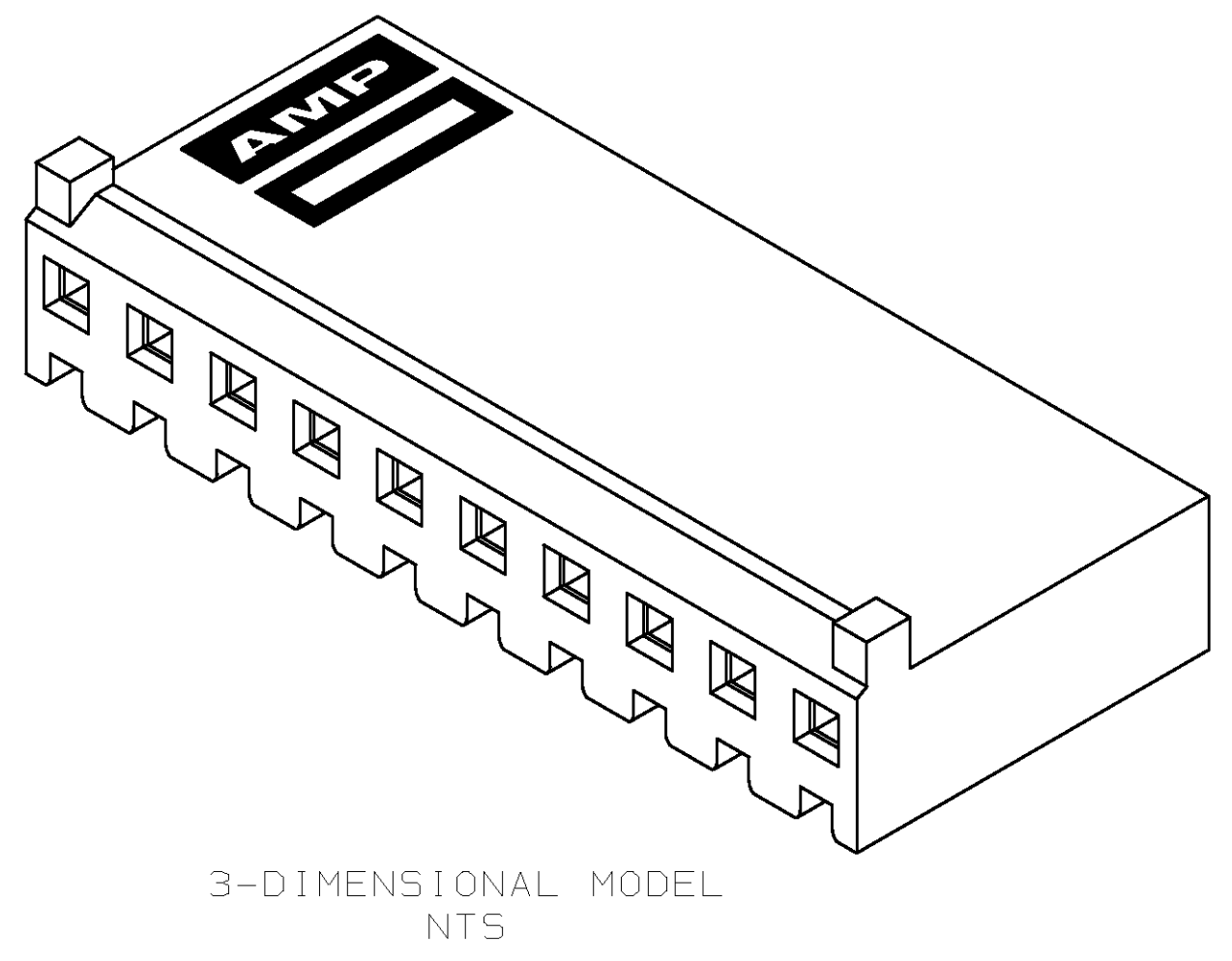


- UNIT ACCEPTS 1.14[.045] SQUARE OR ROUND POST.
- UNIT ACCEPTS STANDARD SL-156 CONTACTS.
- UNIT ACCEPTS KEYING PLUG 640254-1 AND KEYING PIN 640255-1.
- IDENTIFICATION NUMBER FOR ALL POSITIONS, OR FOR POSITION 1 ONLY, WILL BE LOCATED AS SHOWN.
- OPTIONAL CONSTRUCTION, BOTH ENDS.
- DIMENSIONS IN BRACKETS ARE IN INCHES.



95.15[3.746]	24	2-770849-4
91.19[3.590]	23	2-770849-3
87.20[3.433]	22	2-770849-2
83.24[3.277]	21	2-770849-1
79.27[3.121]	20	2-770849-0
75.31[2.965]	19	1-770849-9
71.30[2.807]	18	1-770849-8
67.34[2.651]	17	1-770849-7
63.40[2.496]	16	1-770849-6
59.44[2.340]	15	1-770849-5
55.45[2.183]	14	1-770849-4
51.49[2.027]	13	1-770849-3
47.52[1.871]	12	1-770849-2
43.56[1.715]	11	1-770849-1
39.57[1.558]	10	1-770849-0
35.61[1.402]	9	770849-9
31.65[1.246]	8	770849-8
27.69[1.090]	7	770849-7
23.70[.933]	6	770849-6
19.74[.777]	5	770849-5
15.77[.621]	4	770849-4
11.81[.465]	3	770849-3
7.82[.308]	2	770849-2
DIM A	NO OF POSN	PART NUMBER

1-770849-3 SHOWN



DO NOT SCALE PRINT. UNLESS SPECIFIED DIMENSIONS IN mm [INCHES] TOLERANCES ON:		DR 5-22-91 K. SALMON		PART NO	
2 PLC DEC ±		CHK 5-22-91 R. SWING		<b>AMP</b> AMP Incorporated Harrisburg, PA 17105-3608	
3 PLC DEC ± 0.13 [.005]		APPD 5-22-91 D. WORTHINGTON			
ANGLES ± -		APPD 5-22-91 D. WORTHINGTON			
MATERIAL	NYLON, UL 94V-0 NATURAL	PRODUCT SPEC	-	NAME HOUSING WITH LOCKING RAMP AND POLARIZING TABS, SL-156	
FINISH	-	APPLICATION SPEC	-	SIZE	D 00779
WEIGHT	-			CAGE CODE	770849
				DRAWING NO	770849
				SCALE	4:1
				SHEET	1 OF 1