

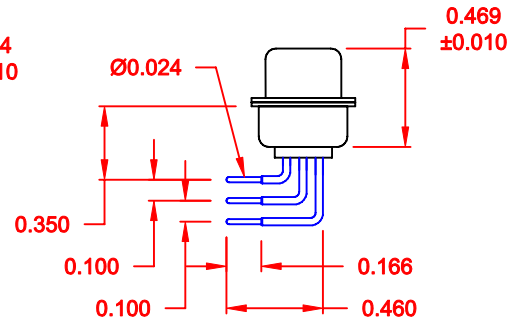
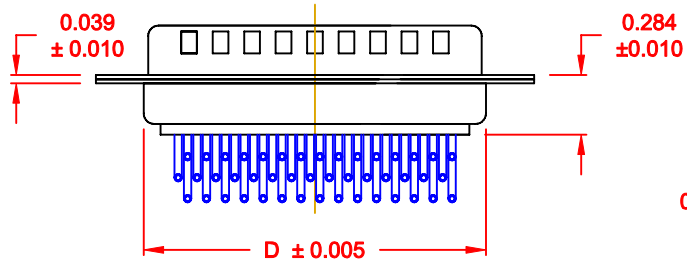
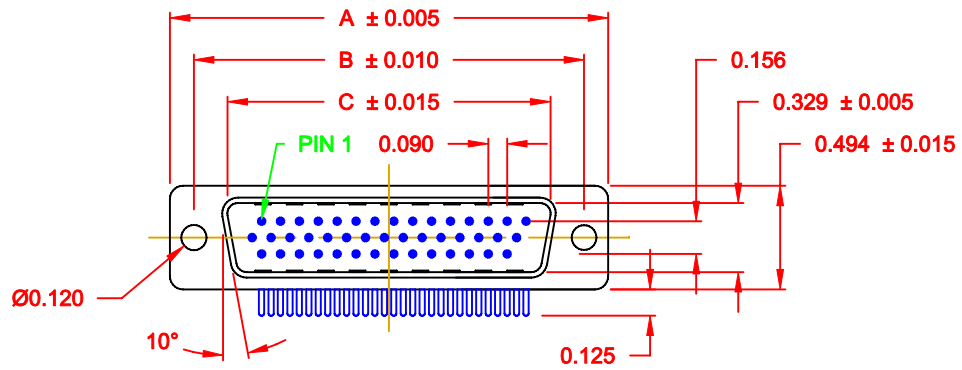
DESCRIPTION: MALE - HIGH DENSITY - MACHINED CONTACTS - RIGHT ANGLE

MATERIAL:

SHELL: STEEL MATERIAL, NICKEL FINISH
 INSULATOR: PA6T=260°C, UL 94V-0 RATED, BLACK
 CONTACT MATERIAL: BRASS
 CONTACT FINISH: SELECTIVE GOLD FINISHED
 SEALING MATERIAL: F08 FLEXIBLE ADHESIVE

ELECTRICAL:

CONTACT CURRENT RATING: 5 AMPS
 CONTACT RESISTANCE: 30 Milliohms Max.
 DIELECTRIC WITHSTANDING VOLTAGE: 1,00VAC Min.
 INSULATION RESISTANCE: 5,000 MegOHMS Min.
 TEMPERATURE RATING: -55° ~ +105° C



781-M YY-1 1 3 R YY 1

SERIES _____
 MACHINED CONTACTS _____
 POSITIONS _____
 15 _____
 26 _____
 44 _____
 GENDER _____
 1 = MALE _____
 TERMINATION _____
 1 = RIGHT ANGLE _____
 SHELL PLATING _____
 3 = NICKEL _____
 RoHS COMPLIANT _____
 HARDWARE OPTIONS _____
 00 = NO HARDWARE _____
 14 = BRACKET WITH #4-40 INSERT,
 BOARD LOCK & LOCATOR PLATE _____
 PLATING OPTIONS _____
 1 = GOLD FLASH, ENTIRE CONTACT _____

DIMENSIONS (IN.)				
No. OF PINS	A	B	C	D
15	1.213	0.984	0.666	0.759
26	1.541	1.312	0.994	1.083
44	2.088	1.852	1.534	1.625

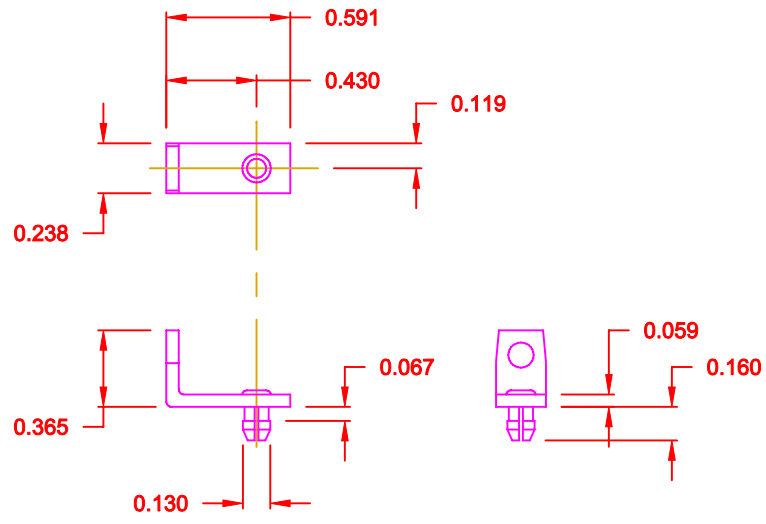
MEETS IP67 STANDARDS

(SEE PAGE 4 FOR SEALING DETAILS)

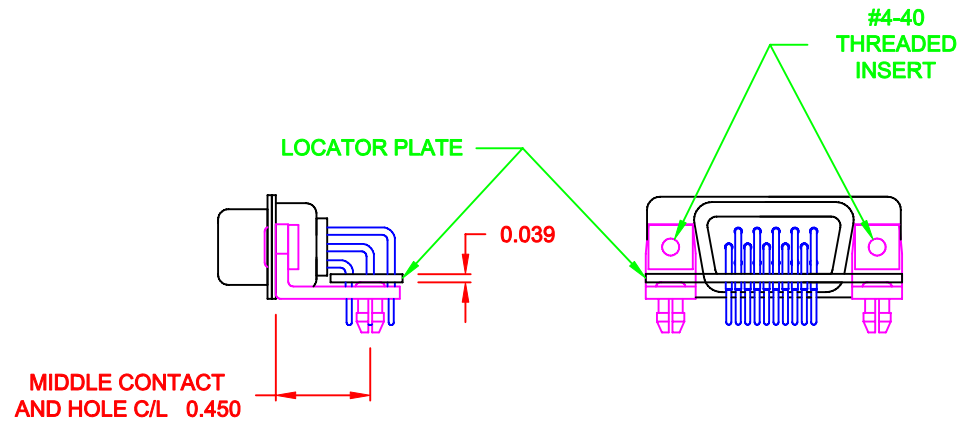
DO NOT SCALE FROM DRAWING

RoHS COMPLIANT

	THESE DRAWINGS AND SPECIFICATIONS ARE THE PROPERTY OF NorComp AND SHALL NOT BE REPRODUCED, COPIED OR USED AS THE BASIS FOR THE MANUFACTURE OF SALE OF APPARATUS WITHOUT WRITTEN PERMISSION.		DRAWN: C. SMITH	DATE: 03-16-07
			CHECKED:	DATE:
NorComp	SCALE: 1 : 1	SHEET 1	OF 4	REV 1
	DWG NO. 781-MYY-113RYY1			



**MOUNTING BRACKET
WITH BOARD LOCK**
HARDWARE OPTION 14

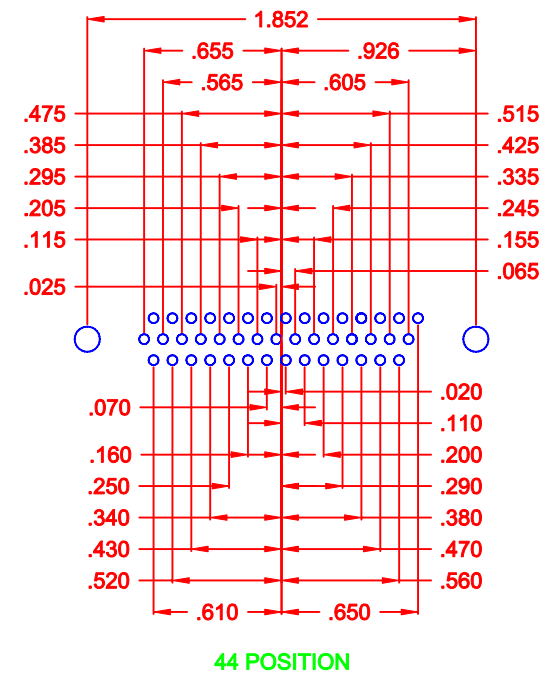
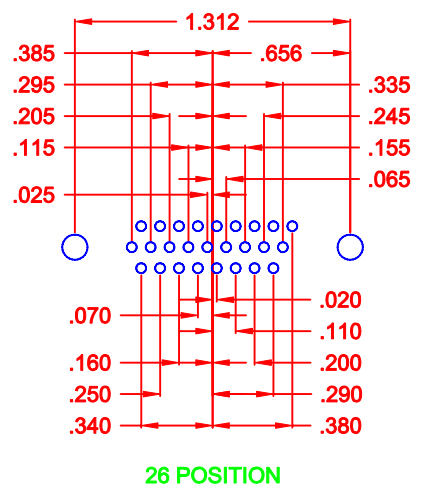
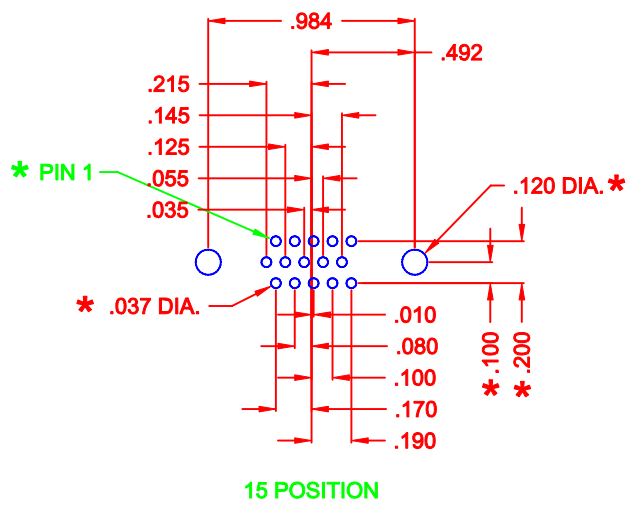


**BRACKETS MOUNTED ON CONNECTOR
WITH LOCATOR PLATE**
HARDWARE OPTION 14

FOR CLARITY
HIDDEN LINES
NOT SHOWN

MATERIAL: COLD ROLLED STEEL
PLATING: CLEAR ZINC

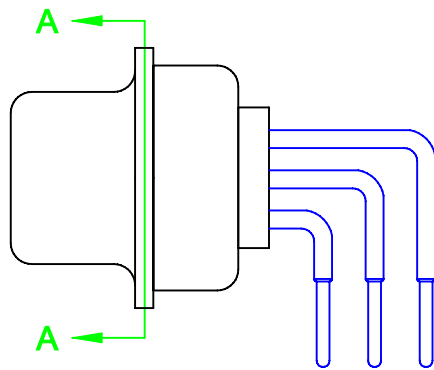
	THESE DRAWINGS AND SPECIFICATIONS ARE THE PROPERTY OF NorComp AND SHALL NOT BE REPRODUCED, COPIED OR USED AS THE BASIS FOR THE MANUFACTURE OF SALE OF APPARATUS WITHOUT WRITTEN PERMISSION.		DRAWN: PAM JENKINS	DATE: 11-28-05
			CHECKED:	DATE:
NorComp		SCALE: 1 : 1	SHEET 2	OF 4
		DWG NO. 781-MYY-113RYY1		



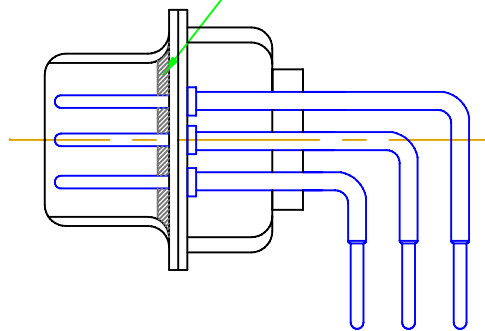
* TYP. ON ALL SIZES

DO NOT SCALE FROM DRAWING

	THESE DRAWINGS AND SPECIFICATIONS ARE THE PROPERTY OF NorComp AND SHALL NOT BE REPRODUCED, COPIED OR USED AS THE BASIS FOR THE MANUFACTURE OF SALE OF APPARATUS WITHOUT WRITTEN PERMISSION.		DRAWN: C. SMITH	DATE: 03-16-07
			CHECKED:	DATE:
NorComp		SCALE: 1 : 1	SHEET 3 OF 4	REV 1
		DWG NO. 781-MYY-113RYY1		




FRONT SEAL APPLIED OVER INSULATOR AND BETWEEN FRONT & REAR SHELLS



DETAIL A-A

DO NOT SCALE FROM DRAWING

	THESE DRAWINGS AND SPECIFICATIONS ARE THE PROPERTY OF NorComp AND SHALL NOT BE REPRODUCED, COPIED OR USED AS THE BASIS FOR THE MANUFACTURE OF SALE OF APPARATUS WITHOUT WRITTEN PERMISSION.		DRAWN: C. SMITH	DATE: 06-10-09
			CHECKED:	DATE:
NorComp		SCALE: 2.5 : 1	SHEET 4 OF 4	REV 1
		DWG NO. 781-MYY-113RYY1		