

CATALOGUE NUMBER	LEAD FREE VERSION
7832C0425X01	7832C0425X01LF

A

B

C

D

E

F

A

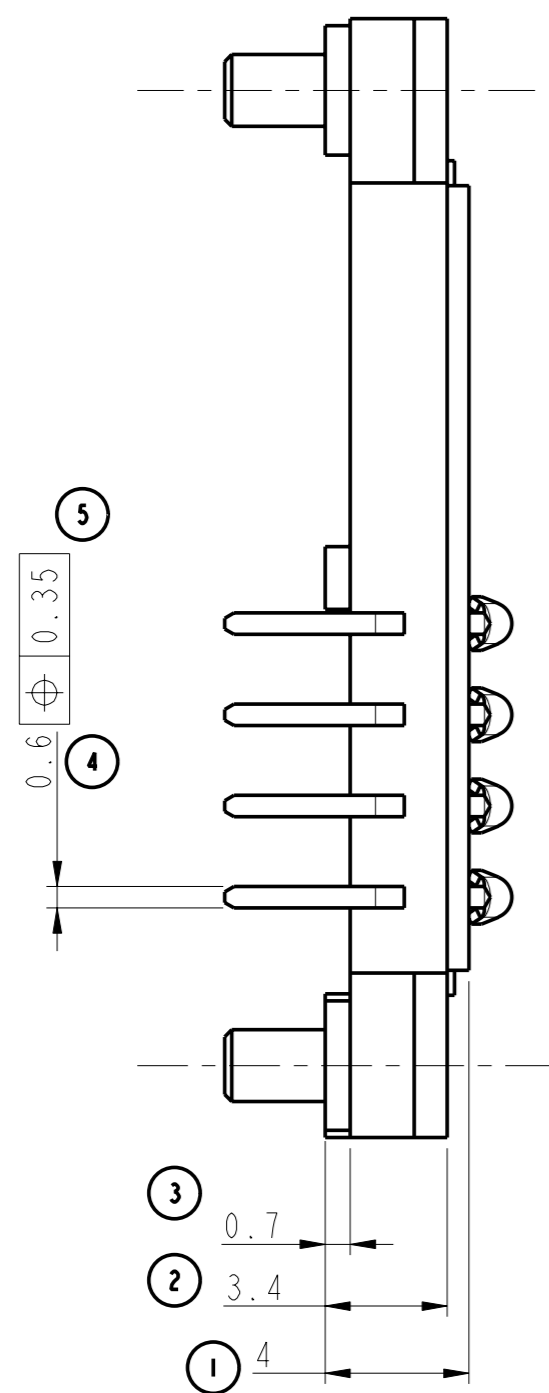
B

C

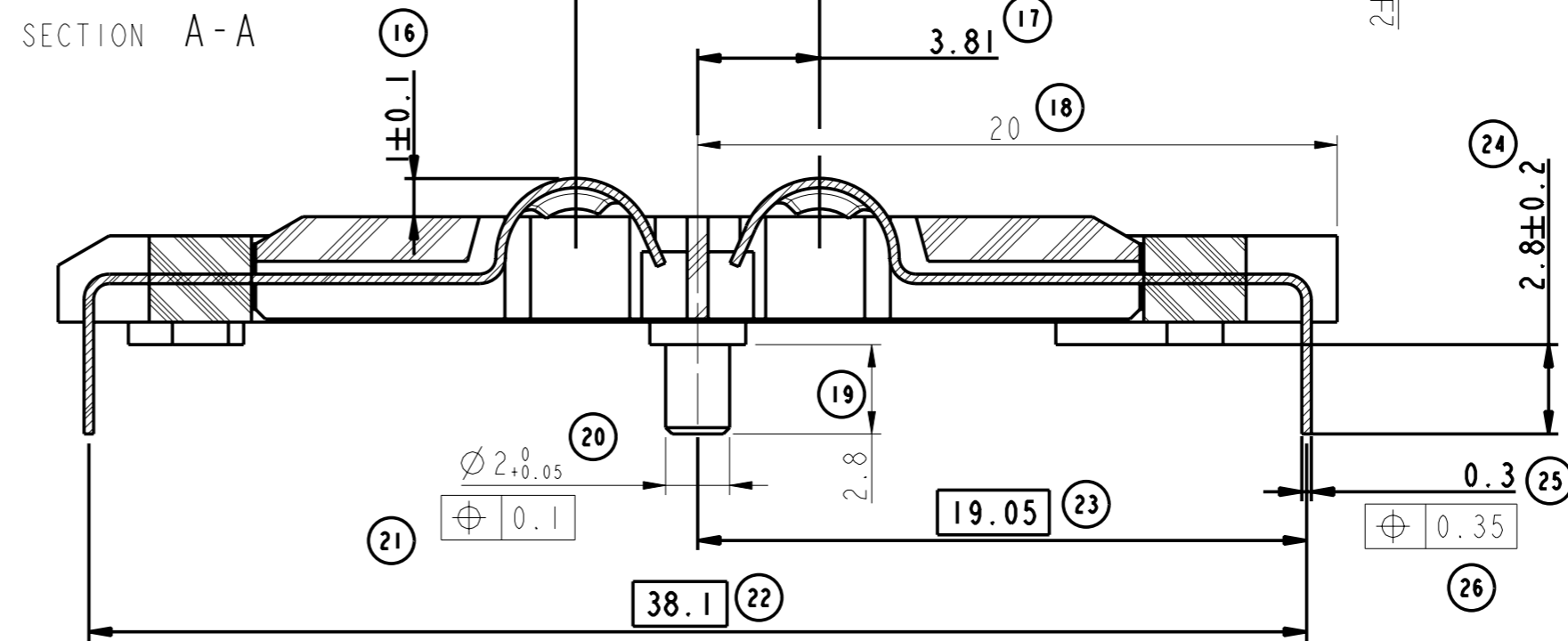
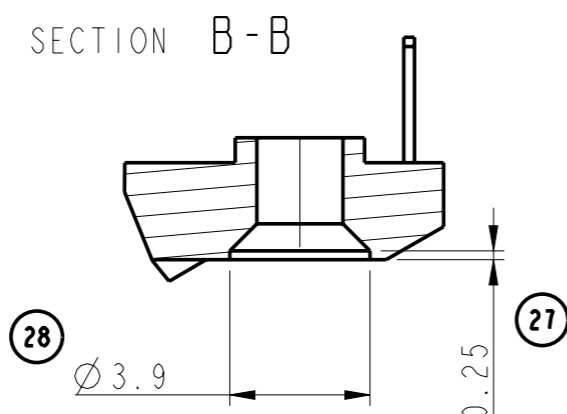
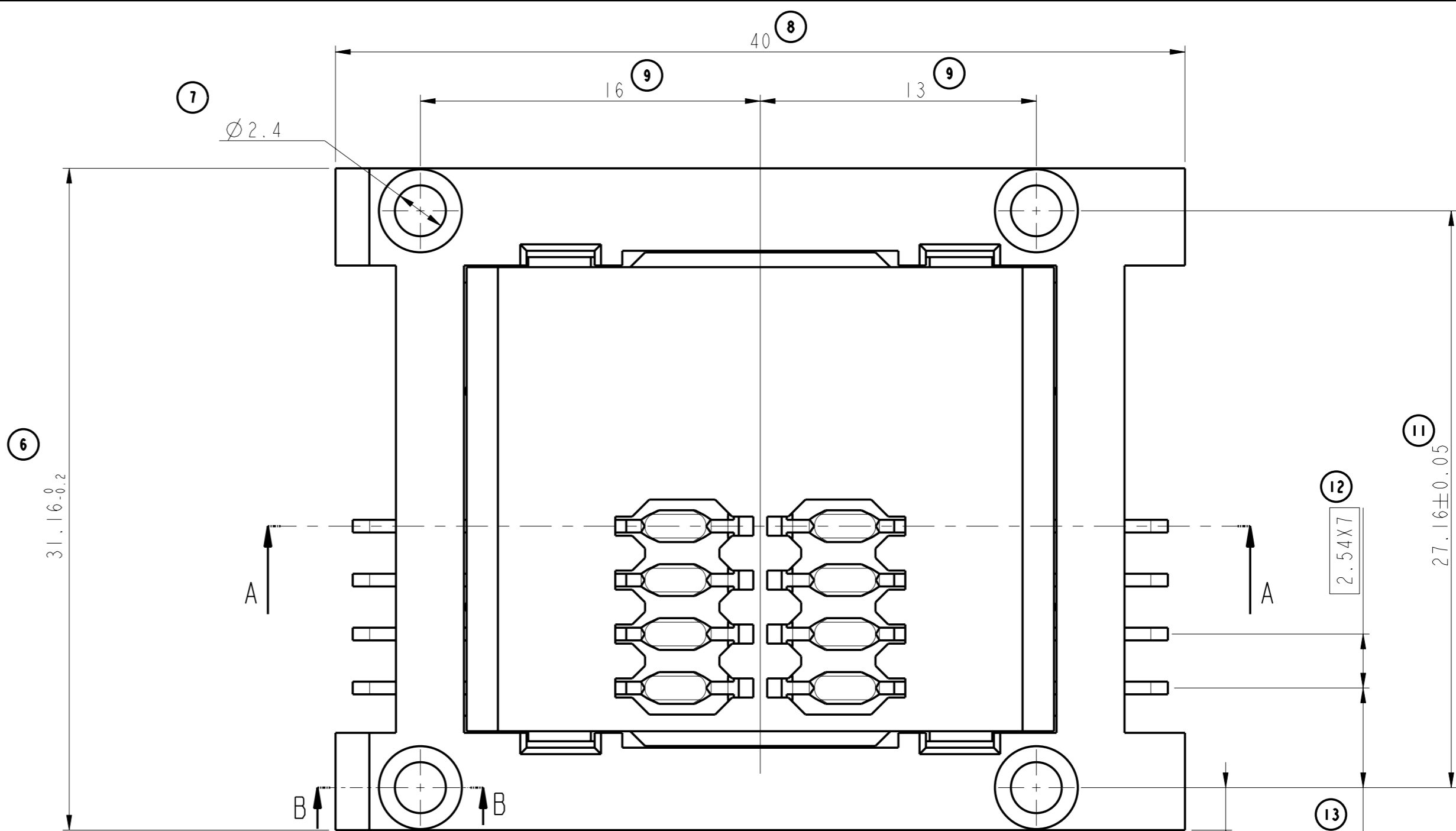
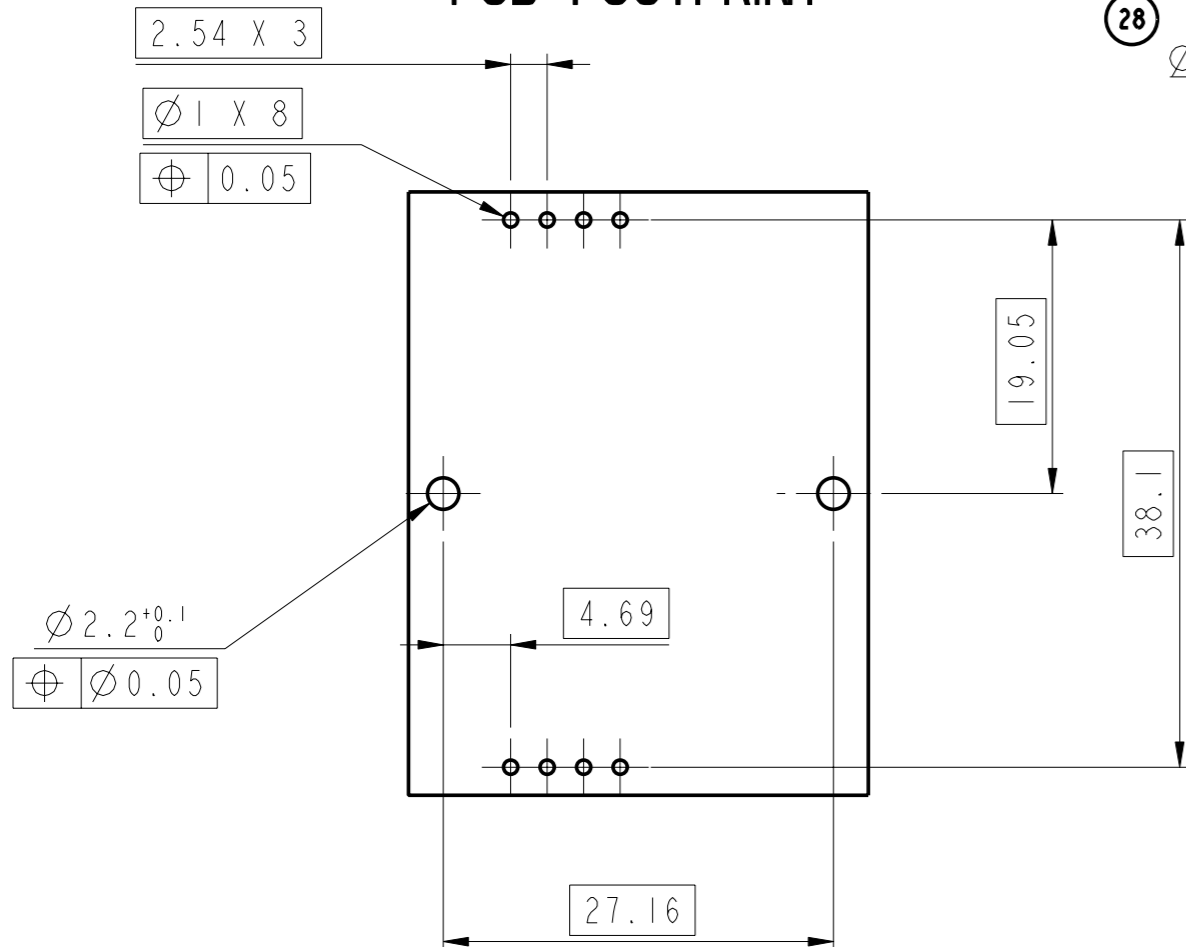
D

E

F



**IMPLANTATION C.I
PCB FOOTPRINT**



LEAD FREE VERSION:

"This product meets European Union Directives and other country regulations as described in GS-22-008"

The housing will withstand exposure to 260°C peak temperature for 3-5seconds in a wave solder application with a 1.6mm minimum thick circuit board.

Use protective adhesive tape (Kapton or Teflon) or protective metallic devices on the areas which are directly exposed to wave soldering as it is used in classical leaded wave soldering

Sn Matte plating on solder tail for Lead Free Versions

General Tolerances	
0 to 10mm:	±0.1mm
10 to 30mm:	±0.15mm
30 to 60mm:	±0.2mm
60 and more:	±0.3mm

rev	ecn no	dr	date
E	105-0167	NT	2005/09/24
F	106-0084	SSC	2006/06/21

www.fciconnect.com		surface -	tolerance std	projection	mm
		ISO 1302	ISO 406 ISO 1101	mm	
		TOLERANCES UNLESS OTHERWISE SPECIFIED			
Dr	D LEGRAND	2002/04/29	ANGULAR	0.x	±
Eng	F TISSERAND	2002/04/29	LINEAR	0.xx	±
Chr	DILIP THOMAS	2006/06/21	0° ±°	0.xxx	±
Appr	K.V.SIVADAS	2006/06/21	Product family		SMART CARD
FCI		MODULE 8 CONTACTS		size	A2
C04		catalog no		7832C0425X01	Scale
		CUSTOMER		VRW11376	5:1
				ECN	106-0084
				Spec ref	-
				Rev.	F
				sheet 1 of 1	

Copyright FCI.