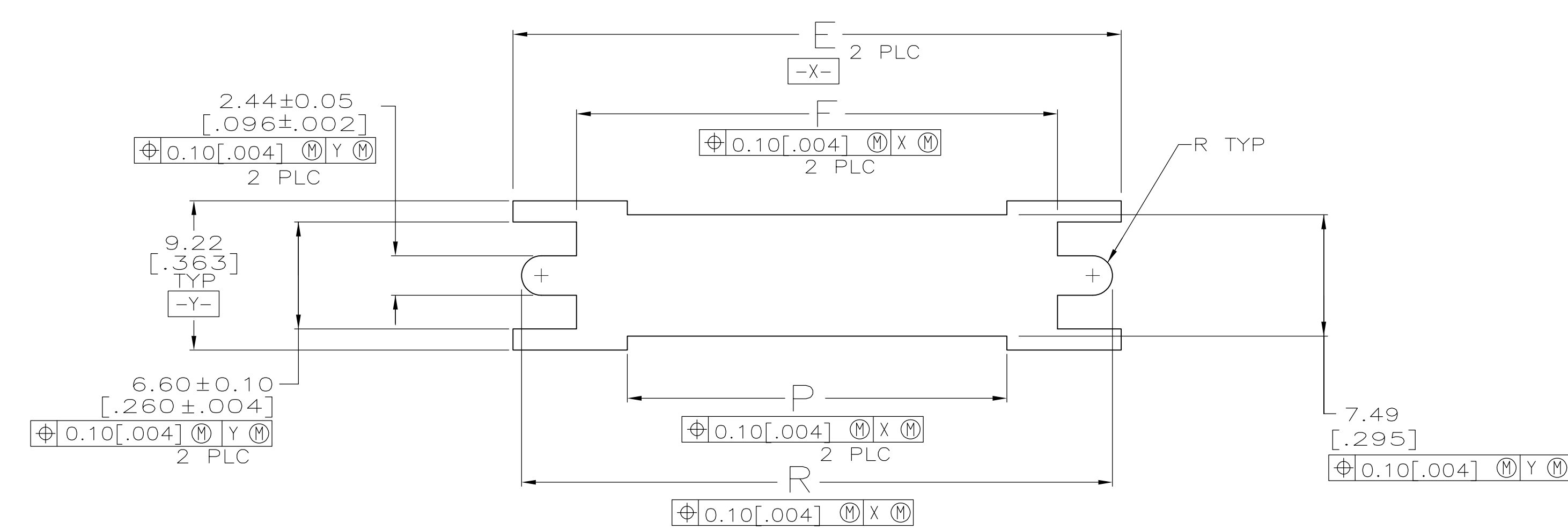
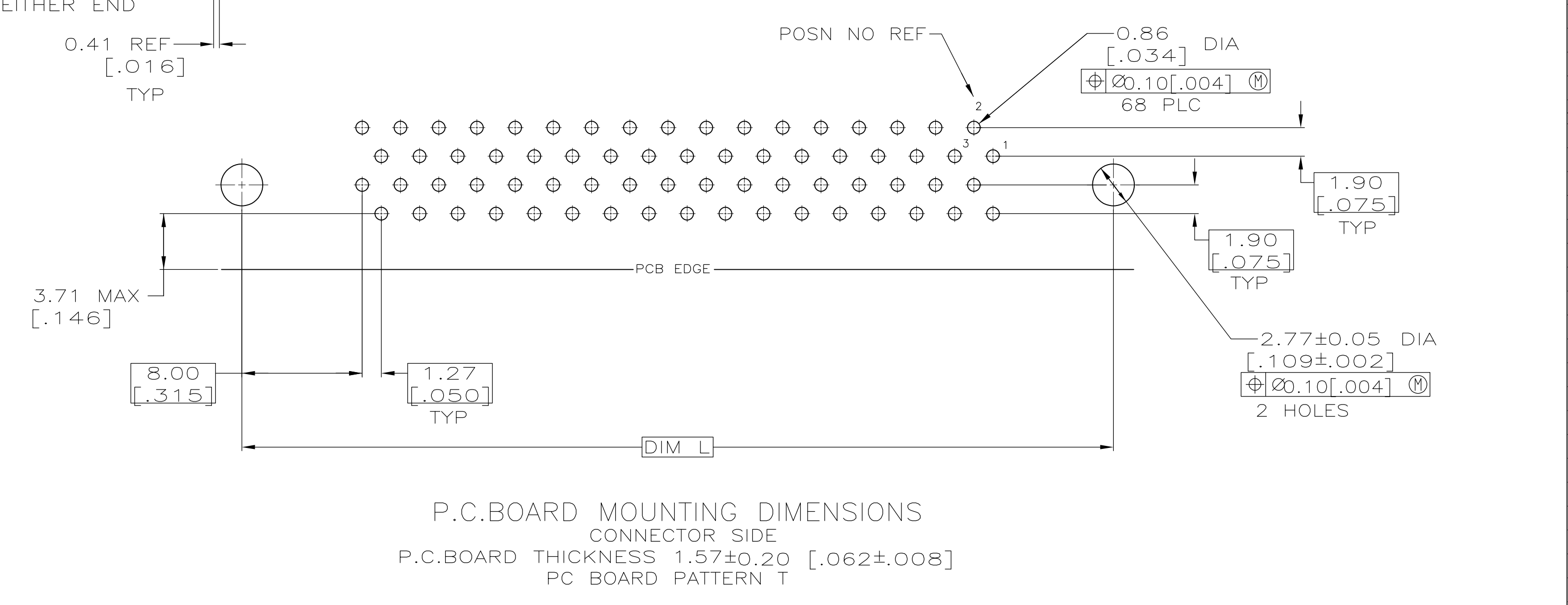
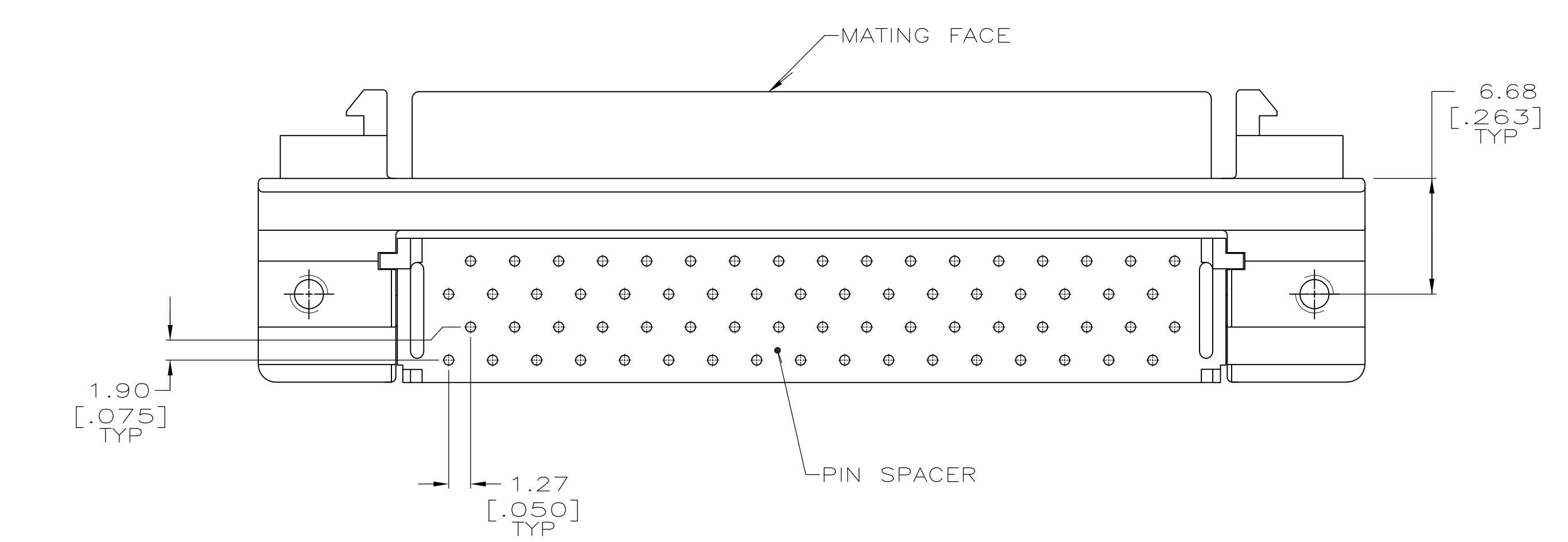
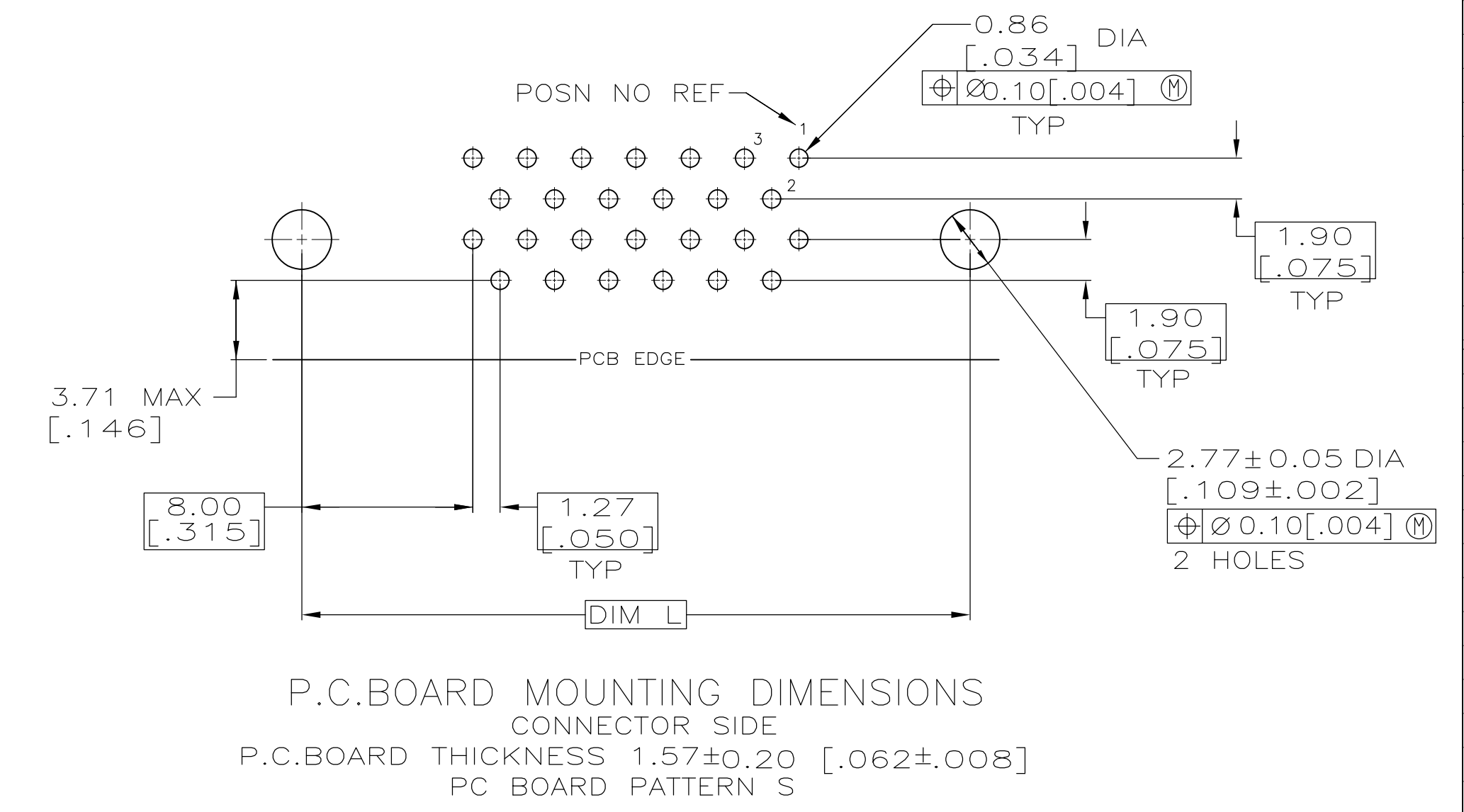
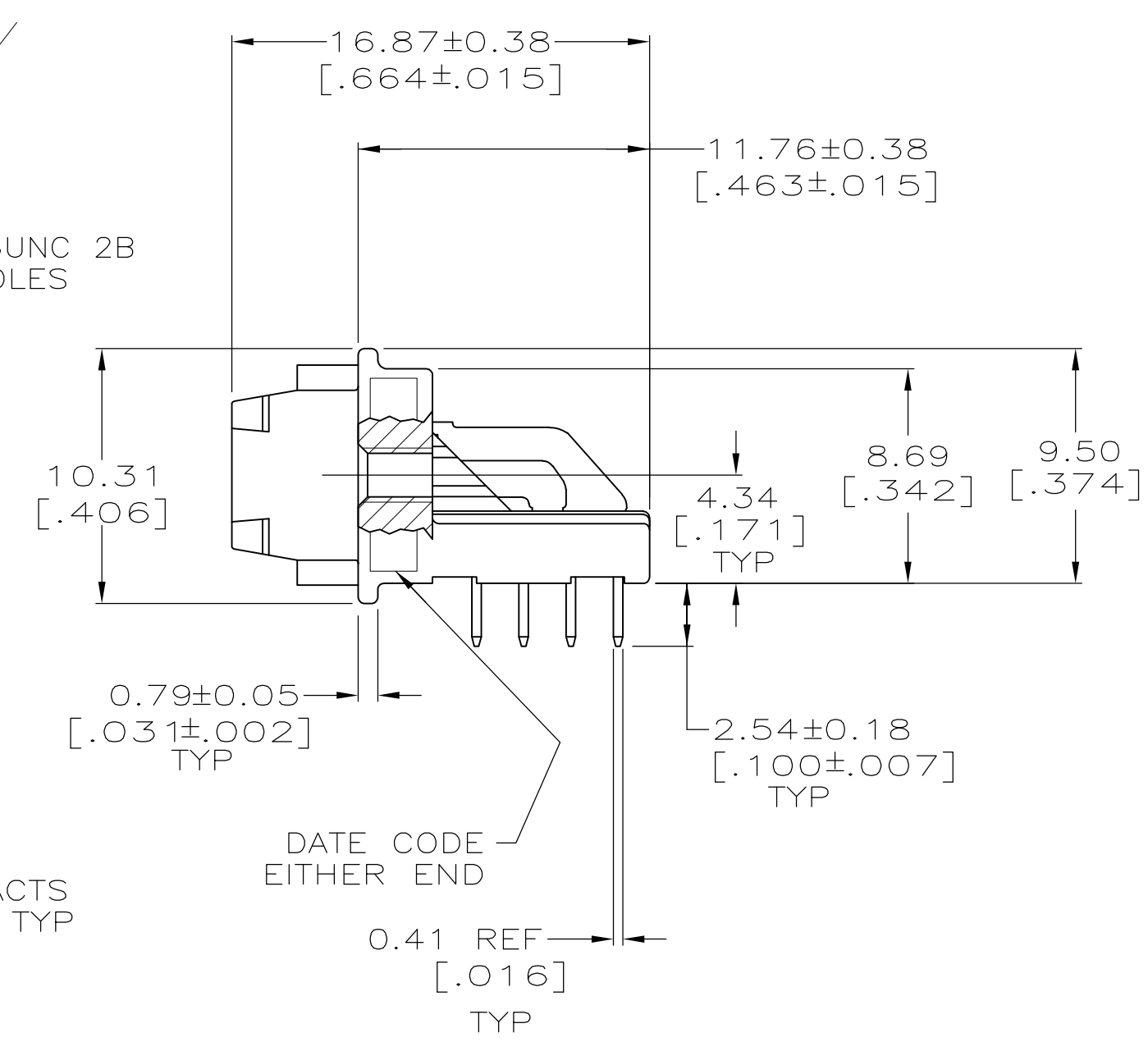
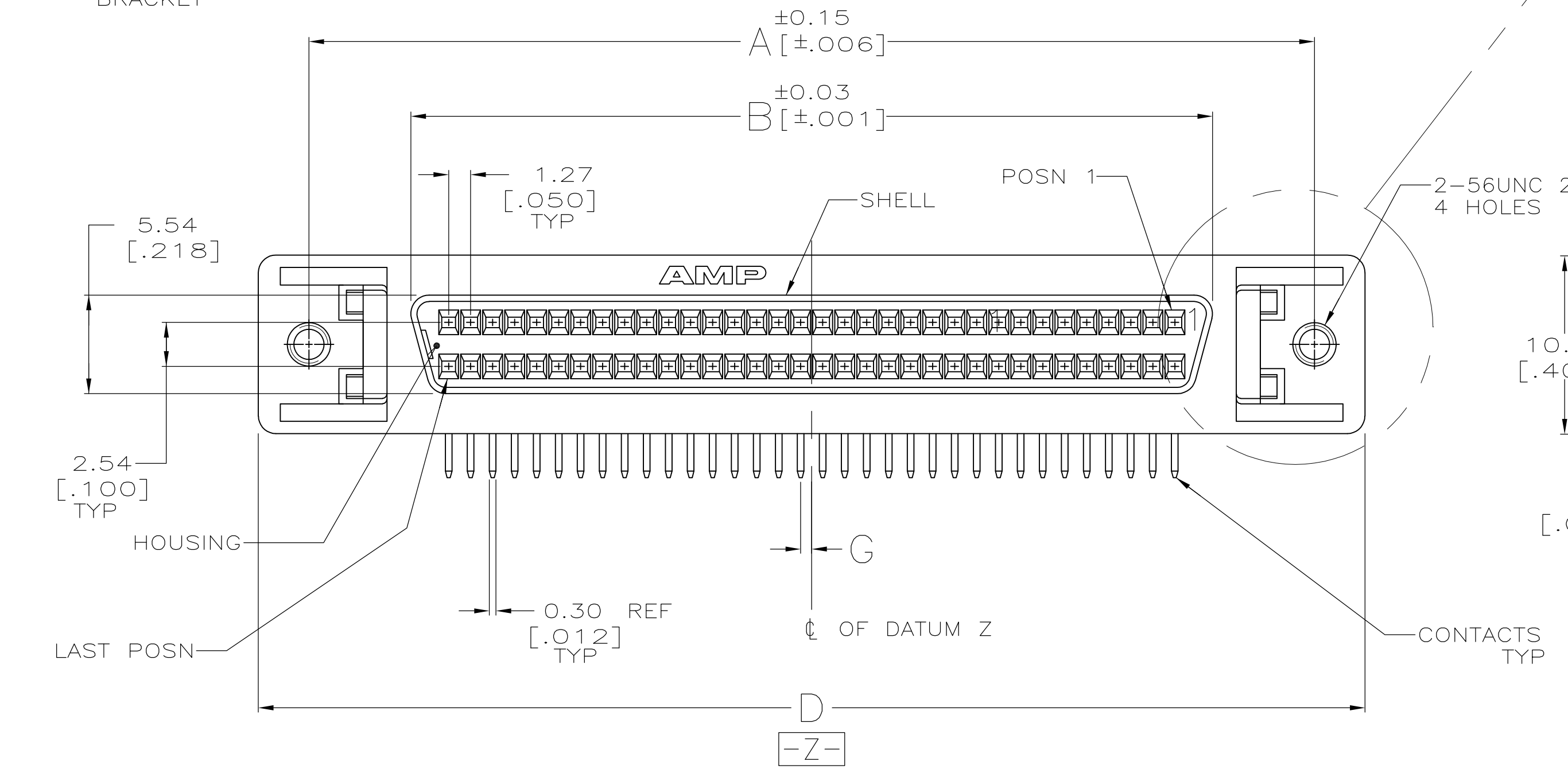


- 1 MATERIAL  
 CONTACTS: PHOSPHOR BRONZE  
 HOUSING & PIN SPACER: UL 94V-0 RATED, THERMOPLASTIC, BLACK  
 BRACKET: ZINC  
 SHELL: CARBON STEEL
- 2 FINISH  
 CONTACTS: EITHER 0.76µm [.000030] MIN GOLD PLATE FOR A LENGTH OF 0.64 [.025] MAX, 0.13 [.005] MIN FROM MATING END OR GOLD FLASH OVER PALLADIUM NICKEL PLATE, 0.76µm [.000030] MIN TOTAL FOR A LENGTH OF 0.64 [.025] MAX, 0.13 [.005] MIN FROM MATING END. 3.81µm [.000150] MIN TIN-LEAD ON OPPOSITE END FOR A LENGTH OF 2.72 [.107] MIN, BOTH OVER 1.27µm [.000050] MIN NICKEL.  
 SHELL: 5.08µm [.000200] MIN NICKEL OVER 1.27µm [.000050] MIN COPPER.  
 BRACKET: 2.54µm [.000100] MIN NICKEL OVER 5.08µm [.000200] COPPER.



	T	67.97 [2.676]	55.47 [2.184]	65.53 [2.580]	0.64 [.025]	61.85 [2.435]	69.60 [2.740]	71.50 [2.815]	53.75 [2.116]	65.53 [2.580]	80	787190-8
	T	60.35 [2.376]	47.85 [1.884]	57.91 [2.280]	0.64 [.025]	54.23 [2.135]	61.98 [2.440]	63.88 [2.515]	46.13 [1.816]	57.91 [2.280]	68	787190-7
	S	48.92 [1.926]	36.42 [1.434]	46.48 [1.830]	1.27 [.050]	42.80 [1.685]	50.55 [1.990]	52.45 [2.065]	34.70 [1.366]	46.48 [1.830]	50	787190-5
OBSOLETE	T	34.95 [1.376]	22.45 [.884]	32.51 [1.280]	0.64 [.025]	28.83 [1.135]	36.58 [1.440]	38.48 [1.515]	20.73 [.816]	32.51 [1.280]	28	787190-3
OBSOLETE	S	33.68 [1.326]	21.18 [.834]	31.24 [1.230]	1.27 [.050]	27.56 [1.085]	35.31 [1.390]	37.21 [1.465]	19.46 [.766]	31.24 [1.230]	26	787190-2
	T	29.87 [1.176]	17.37 [.684]	27.43 [1.080]	0.64 [.025]	23.75 [.935]	31.50 [1.240]	33.40 [1.315]	15.65 [.616]	27.43 [1.080]	20	787190-1
PC BOARD PATTERN	R	P	L	G	F	E	D	B	A	NO OF POSN		PART NUMBER

THIS DRAWING IS A CONTROLLED DOCUMENT. DWN D. BROCKWAY 5-26-94  
 CHK R. STONE 5-26-94  
 NAME Tyco Electronics  
 Tyco Electronics Corporation  
 Harrisburg, PA 17105-3608

DIMENSIONS: mm [INCHES]  
 TOLERANCES UNLESS OTHERWISE SPECIFIED:  
 0 PLC ± -  
 1 PLC ± .013 [.005]  
 2 PLC ± .013 [.005]  
 3 PLC ± .013 [.005]  
 4 PLC ± .013 [.005]  
 ANGLES ± -

PRODUCT SPEC 108-1228  
 APPLICATION SPEC 114-40029  
 WEIGHT -  
 CUSTOMER DRAWING

SIZE CAGE CODE DRAWING NO. A1 00779 ©=787190  
 RESTRICTED TO

SCALE 4:1 SHEET 1 OF 1 REV U