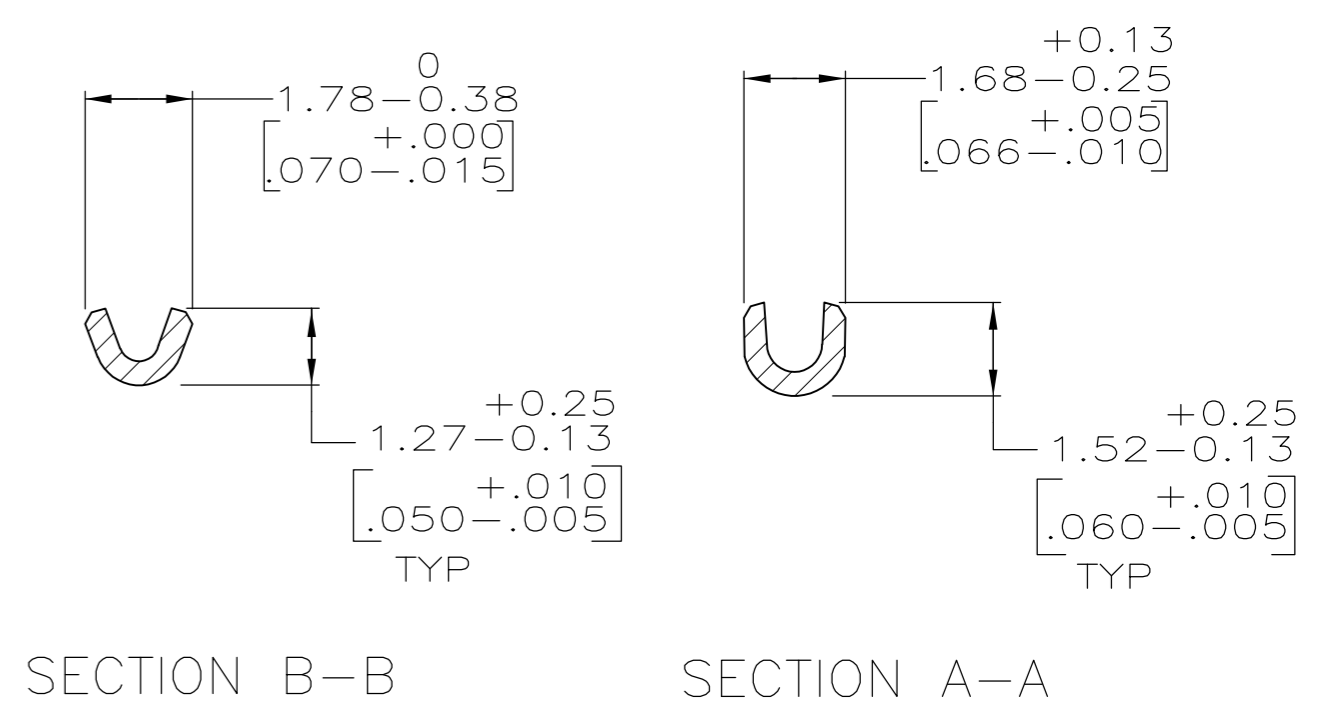
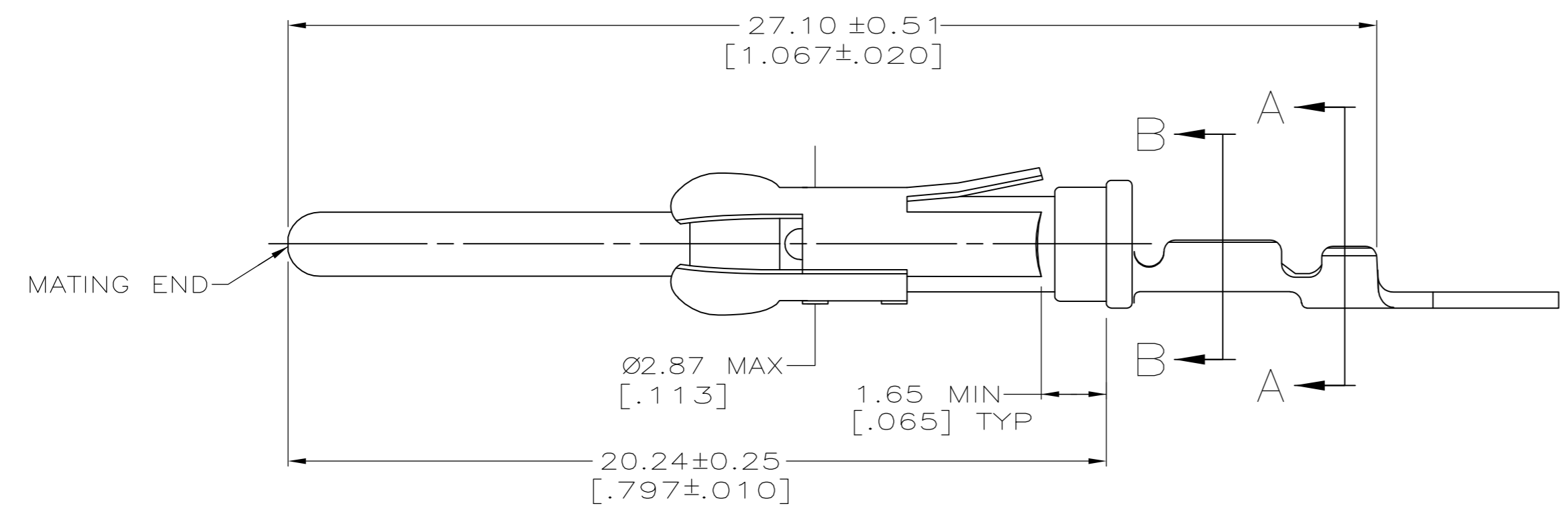
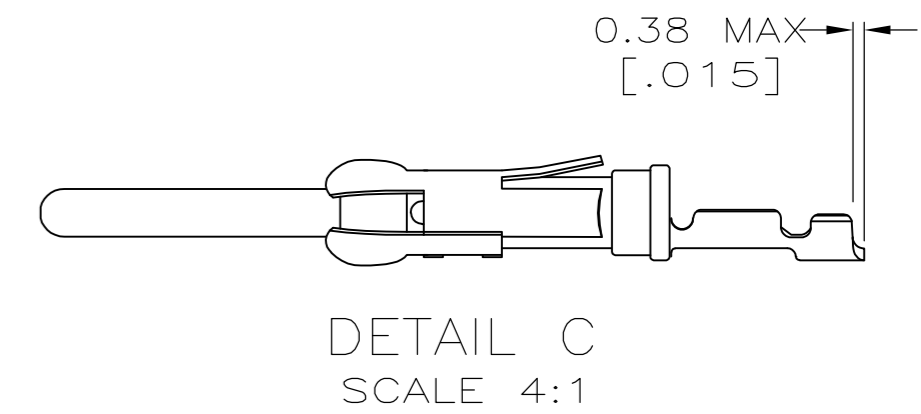
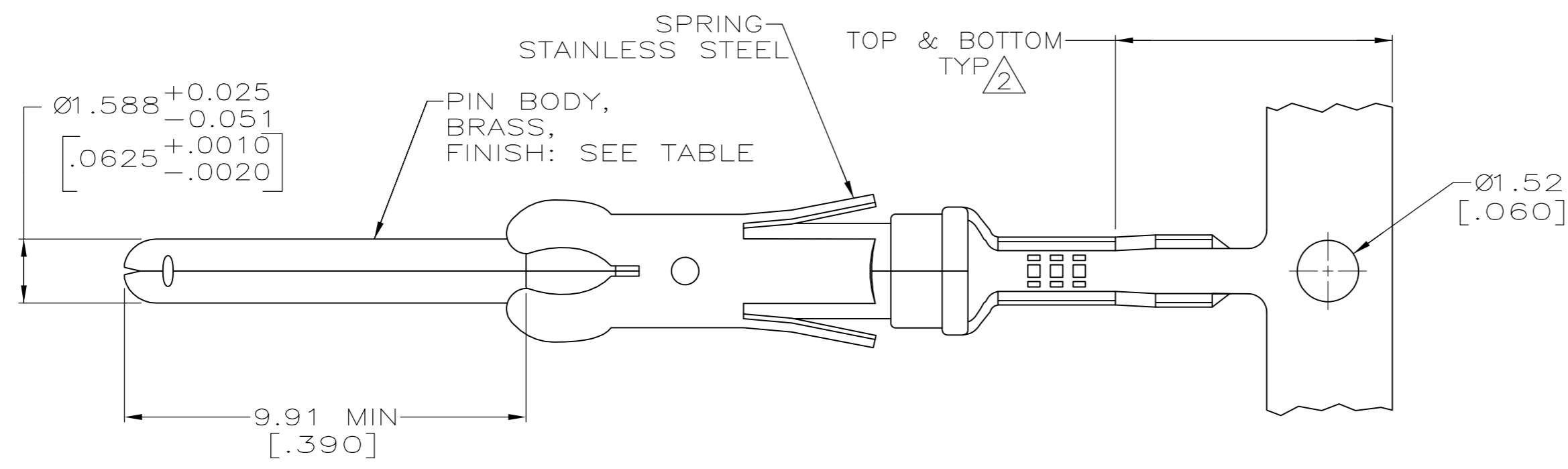


THIS DRAWING IS UNPUBLISHED. RELEASED FOR PUBLICATION
 © COPYRIGHT BY TYCO ELECTRONICS CORPORATION. ALL INTERNATIONAL RIGHTS RESERVED.

LOC	DIST	REVISIONS			
P	LTR	DESCRIPTION	DATE	DWN	APVD
FT	47	D	REV PER ECR 10-012675	13SEPT10	JR SH



- $\triangle 1$ 0.76 μm [.000030] MIN PRECIOUS METAL PLATE ON MATING END FOR A LENGTH OF 5.08 [.200] MIN OVER 1.27 μm [.000050] MIN NICKEL PLATE. GOLD FLASH ALL OVER. CONFORMS TO THE REQUIREMENTS OF TYCO ELECTRONICS PRODUCT SPEC 108-10042, BASED ON EIA/ECA-364-1000.01A (CONTROLLED ENVIRONMENT APPLICATIONS).
- $\triangle 2$ GOLD PLATING NEED NOT APPEAR IN THIS AREA .
- 3. REELED FOR MINI-APPLICATOR.
- 4. WIRE RANGE 28-30 AWG. INSULATION RANGE 3.81 [.015]-7.62 [.030] DIA.
- $\triangle 5$ 0.76 μm [.000030] MIN PRECIOUS METAL PLATE ON MATING END FOR A LENGTH OF 5.08 [.200] MIN WITH A UNIFORM GRADIENT TO 0.25 μm [.000010] ON REMAINDER, OVER 1.27 μm [.000050] MIN NICKEL PLATE. GOLD FLASH ALL OVER. CONFORMS TO THE REQUIREMENTS OF TYCO ELECTRONICS PRODUCT SPEC 108-10042, BASED ON EIA/ECA-364-1000.01A (CONTROLLED ENVIRONMENT APPLICATIONS).
- $\triangle 6$ 0.38 μm [.000015] MIN GOLD PER MIL-G-45204 ON MATING END FOR A LENGTH OF 5.08 [.200] MIN WITH GOLD FLASH ON THE REMAINDER OVER 1.27 μm [.000050] MIN NICKEL PER QQ-N-290.

PER DETAIL C	FINISH	PART NUMBER
	$\triangle 1$	788085-4
-	$\triangle 6$	788085-3
-	$\triangle 5$	788085-2
-	$\triangle 1$	788085-1
LOOSE PIECE	FINISH	PART NUMBER

THIS DRAWING IS A CONTROLLED DOCUMENT.		DWN C.OBERMAN 21 NOV 96	Tyco Electronics Corporation Harrisburg, PA 17105-3608	
DIMENSIONS: MM [INCHES]		CHK R.STONE 22 NOV 96	NAME	
TOLERANCES UNLESS OTHERWISE SPECIFIED:		APVD G.STEINHAUER 22 NOV 96	PRODUCT SPEC	
0 PLC ± -		108-10042		
1 PLC ± -		APPLICATION SPEC		
2 PLC ± 0.13 [.005]		114-10004		
3 PLC ± -		WEIGHT -		
4 PLC ± -		SIZE A2 CAGE CODE 00779 C=788085		
ANGLES ± -		DRAWING NO		
FINISH SEE CALLOUTS		RESTRICTED TO -		
MATERIAL SEE CALLOUTS		SCALE 8:1 SHEET 1 of 1 REV D		
CUSTOMER DRAWING				

788085085