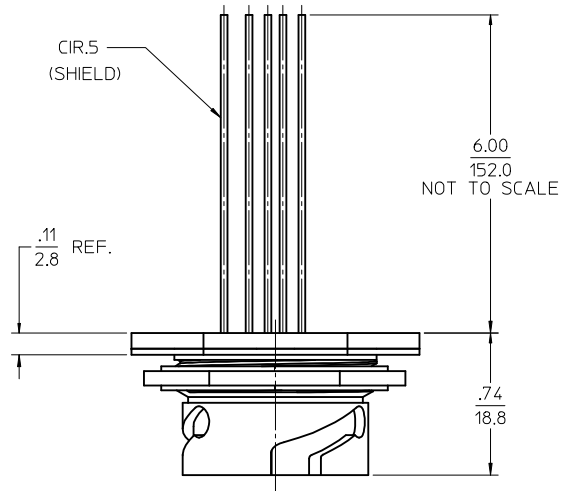
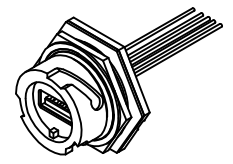


MATERIAL NO	ENGINEERING NO	WIRE AWG
847290001	84729-0001	28
847290002	84729-0002	20

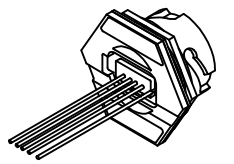
(B)



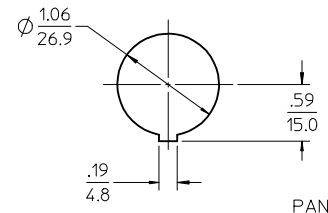
- NOTES:
 1. MATERIAL: SEE TABLE
 2. FINISHES: SEE TABLE
 3. MATES WITH: INDUSTRY STD. BAYONET LOCKING
 USB TYPE A
 4. MAX PANEL THICKNESS .10



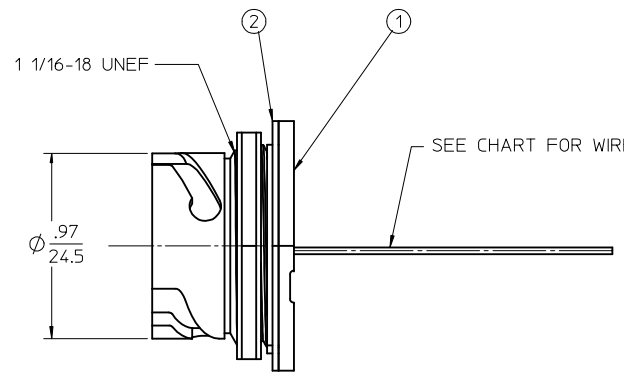
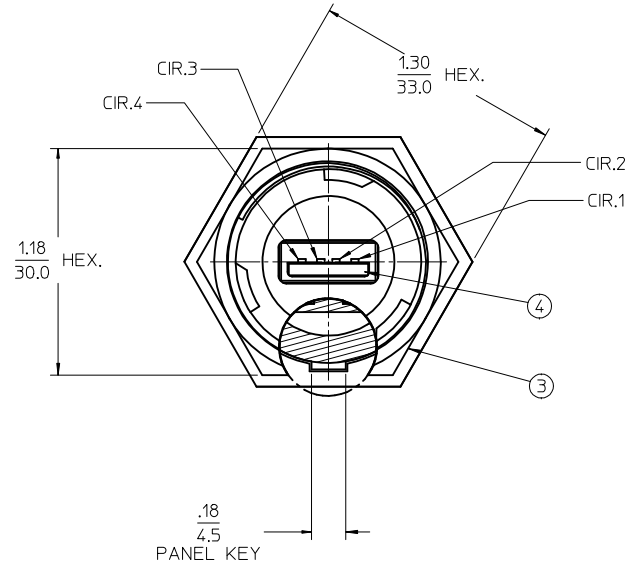
AUX.VIEW Y
SCALE: 1:1



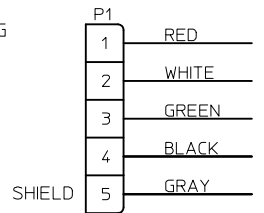
AUX.VIEW X
SCALE: 1:1



PANEL CUTOUT
SCALE: 1:1



SEE CHART FOR WIRE AWG



WIRING DIAGRAM

ITEM	QTY.	DESCRIPTION	MATERIAL	FINISH
4	1	USB RECEPTACLE, WITH WIRES	VENDOR SPEC.	NI PLATED CONTACTS
3	1	LOCK-NUT	PA	BLACK
2	1	GASKET SEAL	NEOPRENE	BLACK
1	1	USB RECEPTACLE, PANEL MOUNT	PBT	BLACK

ADD PART NO EC NO: WNA2009-0195	DRWNR:RUPERT 2008/09/23	CHKD:JURPHY	APPR:JFURPHY 2008/10/13
DESCRIPTION			

QUALITY SYMBOLS	GENERAL TOLERANCES (UNLESS SPECIFIED)
▽=0	mm INCH
▽=0	4 PLACES ± --- ± ---
	3 PLACES ± --- ±.005
	2 PLACES ± 0.13 ±.01
	1 PLACE ± 0.25 ± ---
	ANGULAR ± 1/2°
	DRAFT WHERE APPLICABLE MUST REMAIN WITHIN DIMENSIONS

DIMENSION STYLE		SCALE		DESIGN UNITS	
IN/MM		2:1		INCH	
DRAWN BY	DATE	TITLE			
R.STONE	05-12-06	USB-A RECEPTACLE WITH WIRES			
CHECKED BY	DATE	MATERIAL NO.			
R.DEROSS	06-01-05	847290001			
APPROVED BY	DATE	DOCUMENT NO.			
R.DEROSS	06-01-05	SD-84729-005			
SIZE		SHEET NO.			
C		1 OF 1			

MOLEX INCORPORATED	
THIS DRAWING CONTAINS INFORMATION THAT IS PROPRIETARY TO MOLEX INCORPORATED AND SHOULD NOT BE USED WITHOUT WRITTEN PERMISSION	