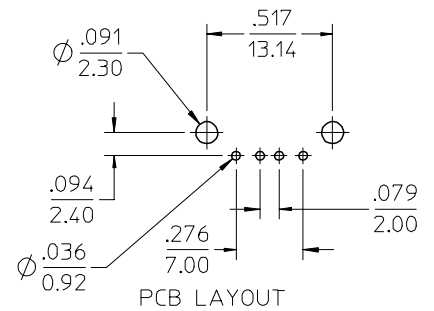
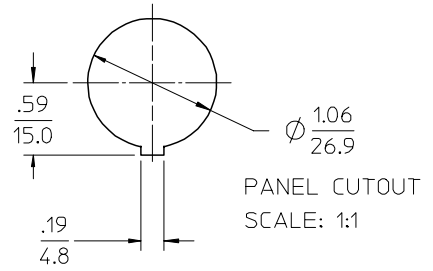
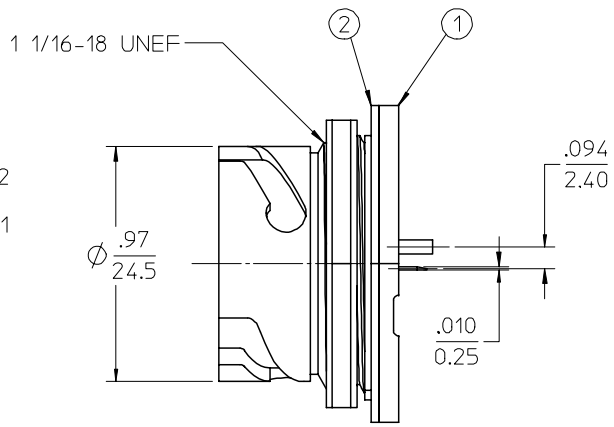
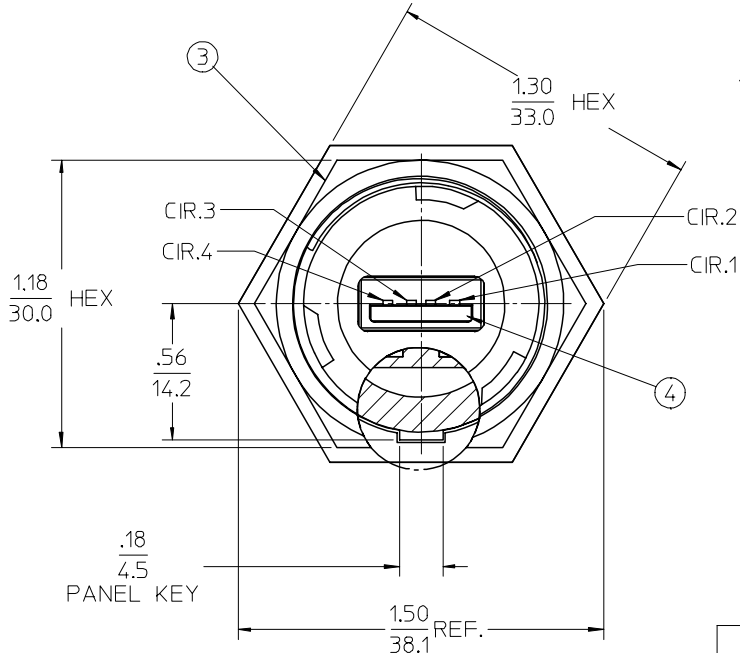
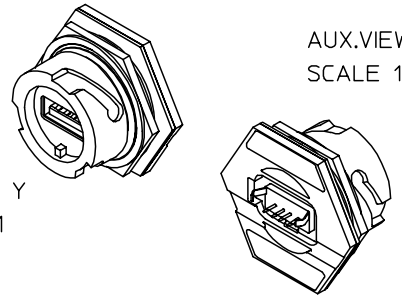


- NOTES:
 1. MATERIAL: SEE TABLE
 2. FINISHES: SEE TABLE
 3. MATES WITH: INDUSTRY STD. BAYONET LOCKING USB TYPE A
 4. MAX PANEL THICKNESS .10



ITEM	QTY	DESCRIPTION	MATERIAL	FINISH
4	1	USB-A RECEPTACLE, PCB TYPE	VENDOR SPEC.	NI PLATED CONTACTS
3	1	LOCK-NUT	PA	BLACK
2	1	GASKET SEAL	NEOPRENE	BLACK
1	1	USB RECEPTACLE, PANEL MOUNT	PBT	BLACK

RELEASE TO BUILD
 EC NO: ETC2006-0180
 DRWNR: STONE 2006/01/11
 CHKDR: DEROSS 2006/01/12
 APPR: DEROSS 2006/01/13

QUALITY SYMBOLS
 ▽=0
 ▽=0

GENERAL TOLERANCES (UNLESS SPECIFIED)	
	INCH
4 PLACES	± .005
3 PLACES	± .005
2 PLACES	± .01
1 PLACE	± .025
ANGULAR ±1/2°	

DIMENSION STYLE: IN/MM
 DRAWN BY: R. STONE
 CHECKED BY: R. DEROSS
 APPROVED BY: R. DEROSS
 MATERIAL NO.: 847290009

SCALE: 2:1
 DESIGN UNITS: INCH
 THIRD ANGLE PROJECTION
 TITLE: RECEPTACLE, PANEL MT. USB-A, PCB STYLE
 MOLEX INCORPORATED
 DOCUMENT NO.: SD-84729-004
 SHEET NO.: 1 OF 1