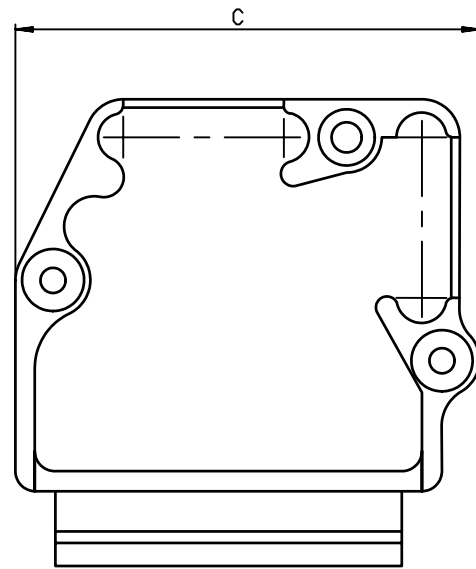
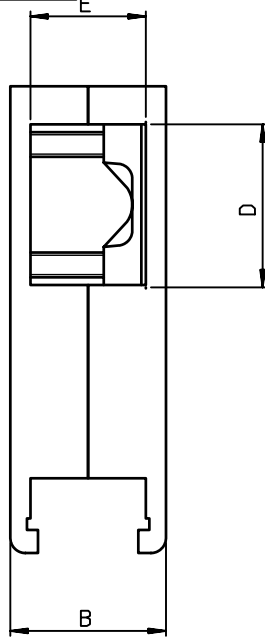
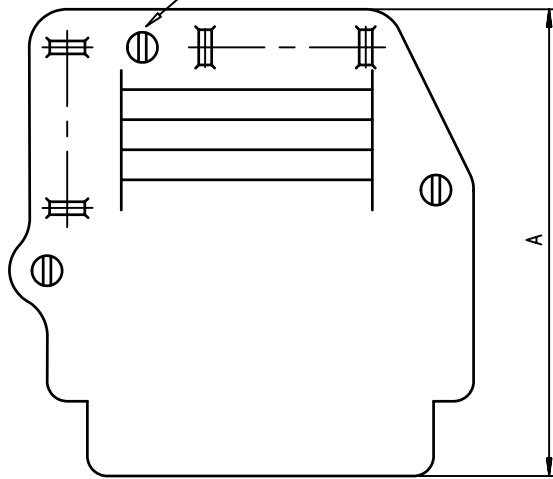


2 screws for sizes 9-15, 3 for other sizes



**MATERIAL:**  
metallised thermoplastic

**TEMPERATURE RANGE:**  
- Climatic category  
metallised hood 55° / +125°  
black hood 55° / +95°

**PACKAGING:**  
Box of 50 individual sets

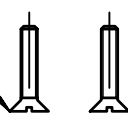
Tie-rop T&B



Clamp



Screw



Bill of material		
components	Hood kit	Kit for 2 exit use
1/2 Hood	2	0
Screw	2	2
Tie rap	1	1
Clamp	1	1

Dimensions are in millimeters

Shell size	Number of contacts	A	B	C	With clamp		Without clamp		PART NUMBER			
					D	E		D	E	Metallised hood	Kit for 2 exit use *	
						mini	maxi					
E	09	29.75	15.50	24.25	6.00	1.90	10.10	8.00	11.50	863093C09MLF	863093CEALF	
A	15	29.75	15.50	32.50	6.00	1.90	10.10	8.00	11.50	863093C15MLF		
B	25	46.50	15.50	46.00	13.50	2.60	10.10	16.00	11.50	863093C25MLF		863093CBCLF
C	37	46.50	15.50	60.50	13.50	2.60	10.10	16.00	11.50	863093C37MLF		
D	50	48.50	18.00	56.50	15.50	4.40	12.60	18.00	14.00	863093C50MLF	863093CDLF	

\* additional accessories to be ordered separately

European Views

www.fciconnect.com			surface ISO 1302 ✓	tolerance std ISO 406 ISO 1101	projection mm
TOLERANCES UNLESS OTHERWISE SPECIFIED					
Dr	PESSON	2005/10/12	ANGULAR	LINEAR	size A3
Eng	PESSON	2005/10/12	0.X	±0.1	Scale 2
Chr	LEGARE	2005/10/12	0.XX	±0.1	ECN LS07-0321
Appr	LEGARE	2005/10/12	0.XXX	±0.1	Product family D-SUB Spec ref -
FCJ			title UNIVERSAL PLASTIC HOOD		Rev. E
catalog no			dwg no C01-8655-1620		sheet 1 of 1

**NOTE: RoHS INFORMATIONS**

- The "LF" product meets European union Directives and other country regulations as described in GS-22-008.
- The product is not intended to be exposed to a manufacturing solder process.
- Packaging spec: see GS-14-920.

rev	ecn no	dr	date
A	LS05-0086	MPE	2005/10/12
B	LS06-0095	LGO	2006/06/23
C	LS07-0300	MPE	2007/11/21
D	LS07-0319	MPE	2007/12/18
E	LS07-0321	MPE	2007/12/19
-	-	-	-
-	-	-	-

Copyright FCJ.