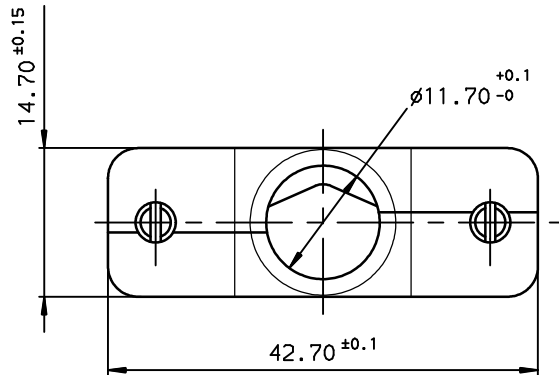
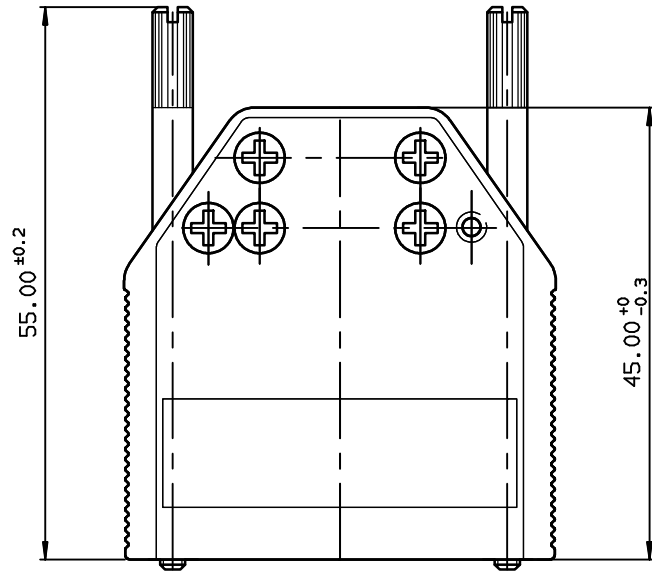




Copyright FCI.



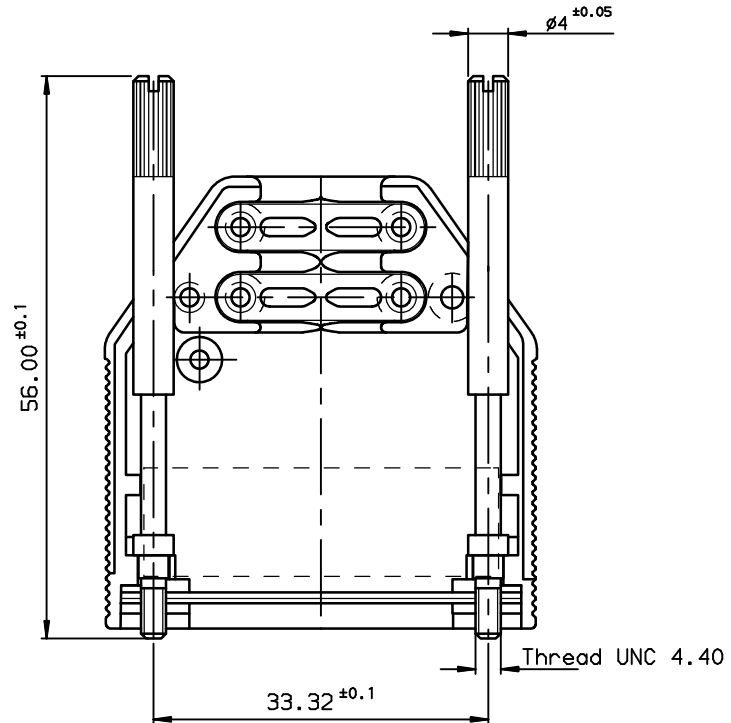
NOTE: RoHS INFORMATIONS

- The "LF" product meets European union Directives and other country regulations as described in GS-22-008.
- The product is not intended to be exposed to a manufacturing solder process.
- Packaging spec: see GS-14-920.

REV F - 2006-04-17

2

INSIDE VIEW



Core range

PART NUMBER 8655MH1511LF **PACKAGING:** per 1 piece

FOR STANDARD AND APPLICATION SPECIFIC PART NUMBER SEE SHEET 2.

European Views

| | | | | |
|--------------------|--------|--|-----------------------------------|-------------------------------------|
| www.fciconnect.com | | surface ISO 1302 | tolerance std ISO 406 ISO 1101 | projection mm |
| | | TOLERANCES UNLESS OTHERWISE SPECIFIED | | |
| Dr | JARRY | 2005/10/14 | 0.X | ±0.1 |
| Eng | PESSON | 2005/10/14 | 0.XX | ±0.1 |
| Chr | LEGARE | 2005/10/14 | 0.XXX | ±0.1 |
| Appr | LEGARE | 2005/10/14 | Product family D-SUB Spec ref - | |
| | | SHIELDED HOODS - TWO PARTS HOODS (Shell size 15) | | size A3 Scale 2 ECN L506-0095 |
| catalog no | | - | | C01-8655-1597-1 Rev. B |
| | | CUSTOMER | | sheet 1 of 1 |

| rev | ecn no | dr | date |
|-----|-----------|-----|------------|
| A | L505-0086 | MPE | 2005/10/14 |
| B | L506-0095 | LGO | 2006/06/26 |
| - | - | - | - |
| - | - | - | - |
| - | - | - | - |
| - | - | - | - |

1

3

4

A

B

C

D

A

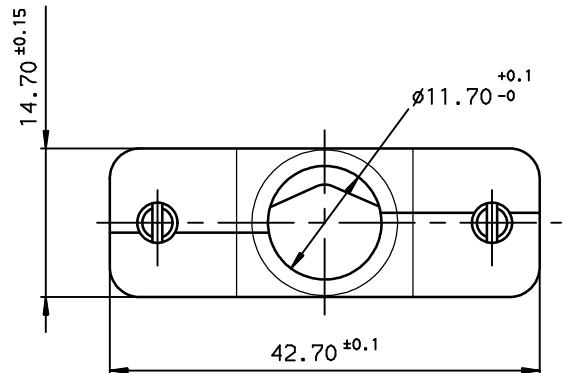
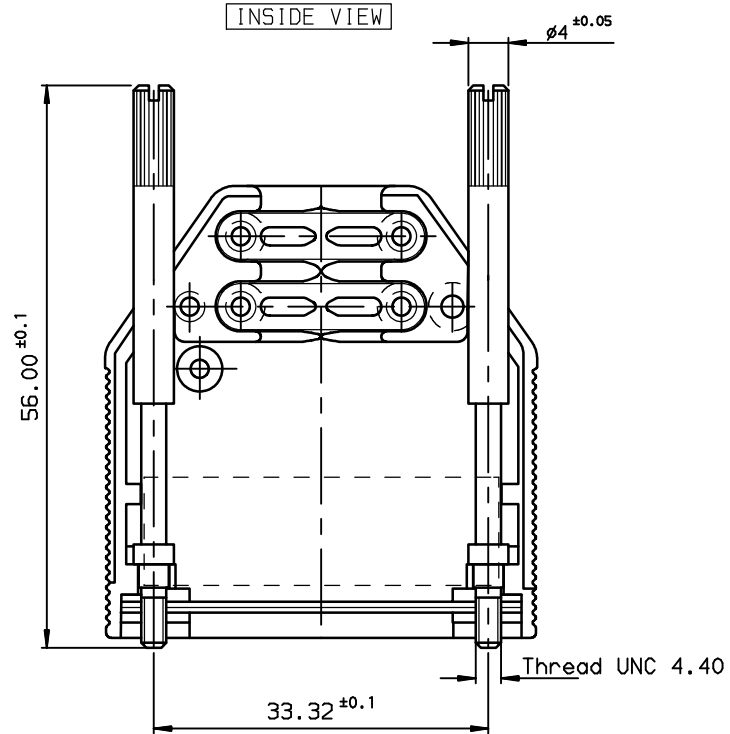
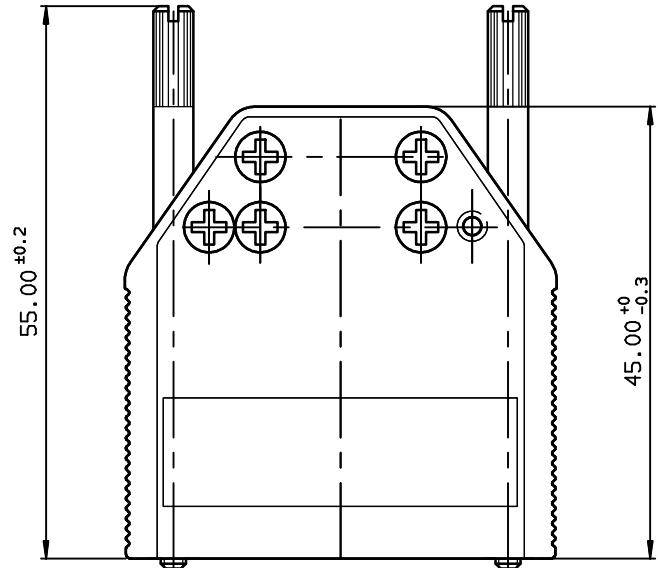
B

C

D



Copyright FCI.



| | | |
|-------------|--------------|--------------------------|
| Pull Parts | | |
| PART NUMBER | 8655MH1501LF | PACKAGING: per 80 pieces |

NOTE: RoHS INFORMATIONS

- The "LF" product meets European union Directives and other country regulations as described in G5-22-008.
- The product is not intended to be exposed to a manufacturing solder process.
- Packaging spec: see G5-14-920.

| rev | ecn no | dr | date |
|-----|-----------|-----|------------|
| A | LS05-0086 | MPE | 2005/10/14 |
| B | LS06-0095 | LGO | 2006/06/26 |
| - | - | - | - |
| - | - | - | - |
| - | - | - | - |
| - | - | - | - |

| | | | | |
|--|--------|-------------------------------|-----------------------------------|------------------|
| www.fciconnect.com | | surface ISO 1302 ✓ | tolerance std ISO 406 ISO 1101 | projection mm |
| TOLERANCES UNLESS OTHERWISE SPECIFIED | | ANGULAR | LINEAR | size A3 |
| Dr | JARRY | 2005/10/14 | 0.X | ±0.1 |
| Eng | PESSON | 2005/10/14 | 0.XX | ±0.1 |
| Chr | LEGARE | 2005/10/14 | 0.XXX | ±0.1 |
| Appr | LEGARE | 2005/10/14 | Product family | D-SUB |
| FCI title SHIELDED HOODS - TWO PARTS HOODS (Shell size 15) | | drawing no C01-8655-1597-2 | | Rev. B |
| catalog no | | CUSTOMER | | sheet 1 of 1 |

REV F - 2006-04-17