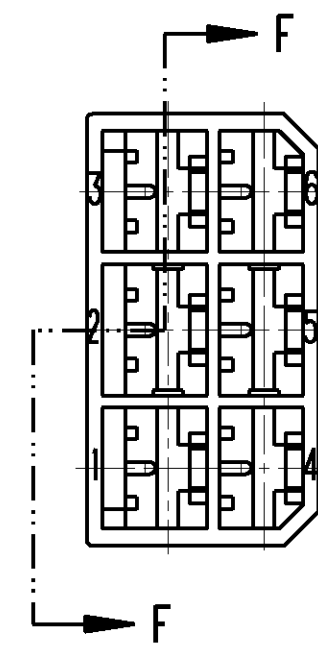
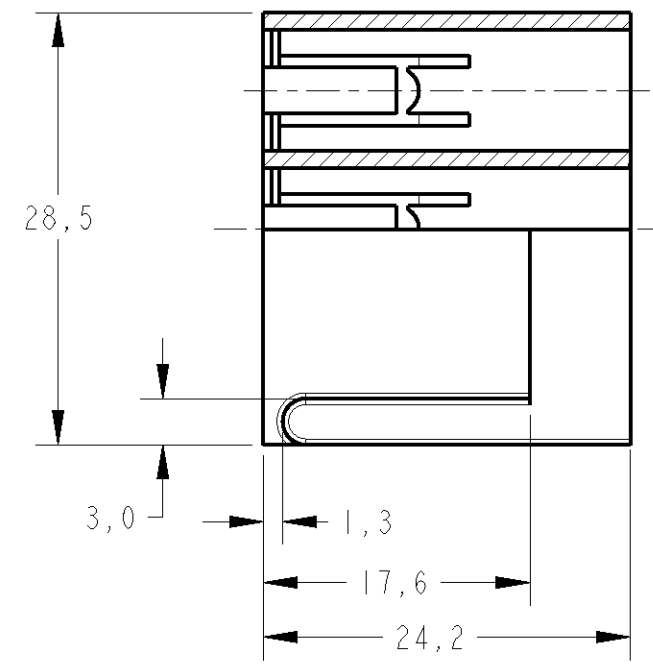
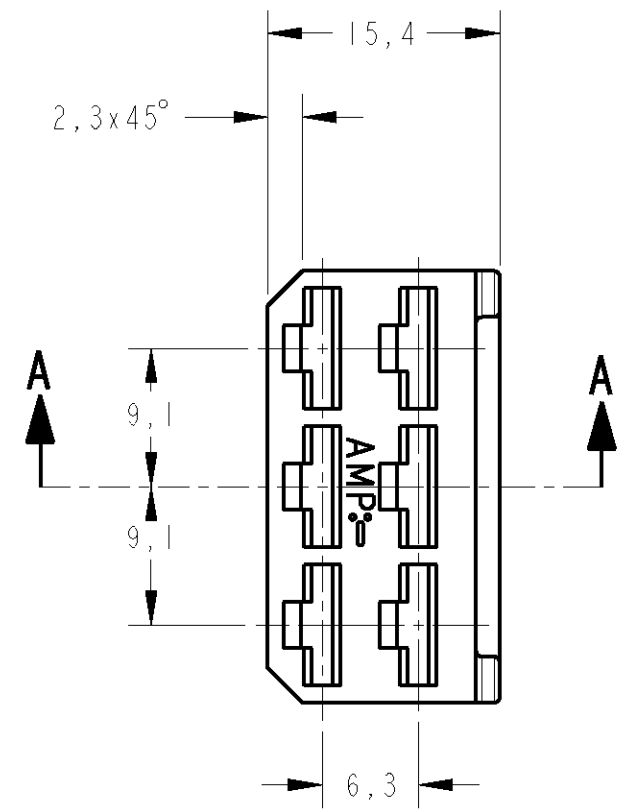


THIS DRAWING IS UNPUBLISHED. RELEASED FOR PUBLICATION 20  
 © COPYRIGHT 20 BY TYCO ELECTRONICS CORPORATION. ALL RIGHTS RESERVED.

LOC	DIST	REVISIONS						
AP	-	P	LTR	DESCRIPTION	DATE	DWN	APVD	
			E	UPDATED REVISION LEVEL	EC-220/04	20APR2004	MRB	PLF
			F	REVISED BY LE10-0051/05		13APR2005	H.C	WLS
			F1	REVISED BY ECO-08-013026		28MAY2008	NCL	LWP
			F2	REVISED PER ECO-09-026444		27NOV09	KK	AEG

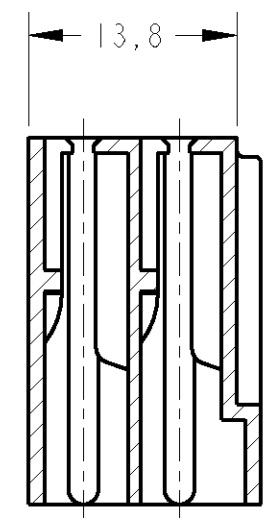


CORTE SECTION F-F

1-INTERCAMIÁVEL COM PN. 280314 1-INTERCHANGEABLE WITH PN. 280314.

2-MATÉRIA PRIMA CONFORME ESPECIFICAÇÃO IEC 60335-1, GWT 750°C, SEM CHAMA. RAW MATERIAL ACC. TO SPEC. IEC 60335-1, GWT 750°C, WITHOUT FLAME.

3 OBSOLETE PARTS: OBSOLETE CIS STREAMLINING PER D.RENAUD/D.SINISI



CORTE SECTION A-A

3	OBSOLETE	FINISH	MATERIAL	PART NUMBER
		CINZA / GRAY	PA 6.6	<del>880297-3</del>
	PRETO / BLACK	PA 6.6	<del>880297-2</del>	
	NATURAL	2 PA 6.6 V-0	2-880297-0	
	NATURAL	PA 6.6	880297-1	

THIS DRAWING IS A CONTROLLED DOCUMENT FOR TYCO ELECTRONICS CORPORATION IT IS SUBJECT TO CHANGE AND THE CONTROLLING ENGINEERING ORGANIZATION SHOULD BE CONTACTED FOR THE LATEST REVISION.		DWN M.R.BRIZ 01APR2004	Tyco Electronics TYCO ELECTRONICS do Brasil LTDA. Sao Paulo, Brasil	
DIMENSIONS: mm	TOLERANCES UNLESS OTHERWISE SPECIFIED: 0 PLC ±- 1 PLC ±0,3 2 PLC ±- 3 PLC ±- 4 PLC ±- ANGLES ±°	CHK P.L.FARIA 01APR2004	NAME 6 WAY .250 FAST-IN-ON REC. HSG.	
MATERIAL SEE TABLE	FINISH SEE TABLE	APVD L.W.PRADO 01APR2004	SIZE A3	CAGE CODE 00779
		PRODUCT SPEC -	DRAWING NO C-880297	RESTRICTED TO -
		APPLICATION SPEC -	SCALE 2:1	SHEET 1
		WEIGHT -	REV F2	
		CUSTOMER DRAWING		