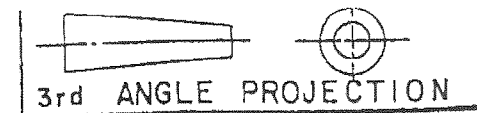
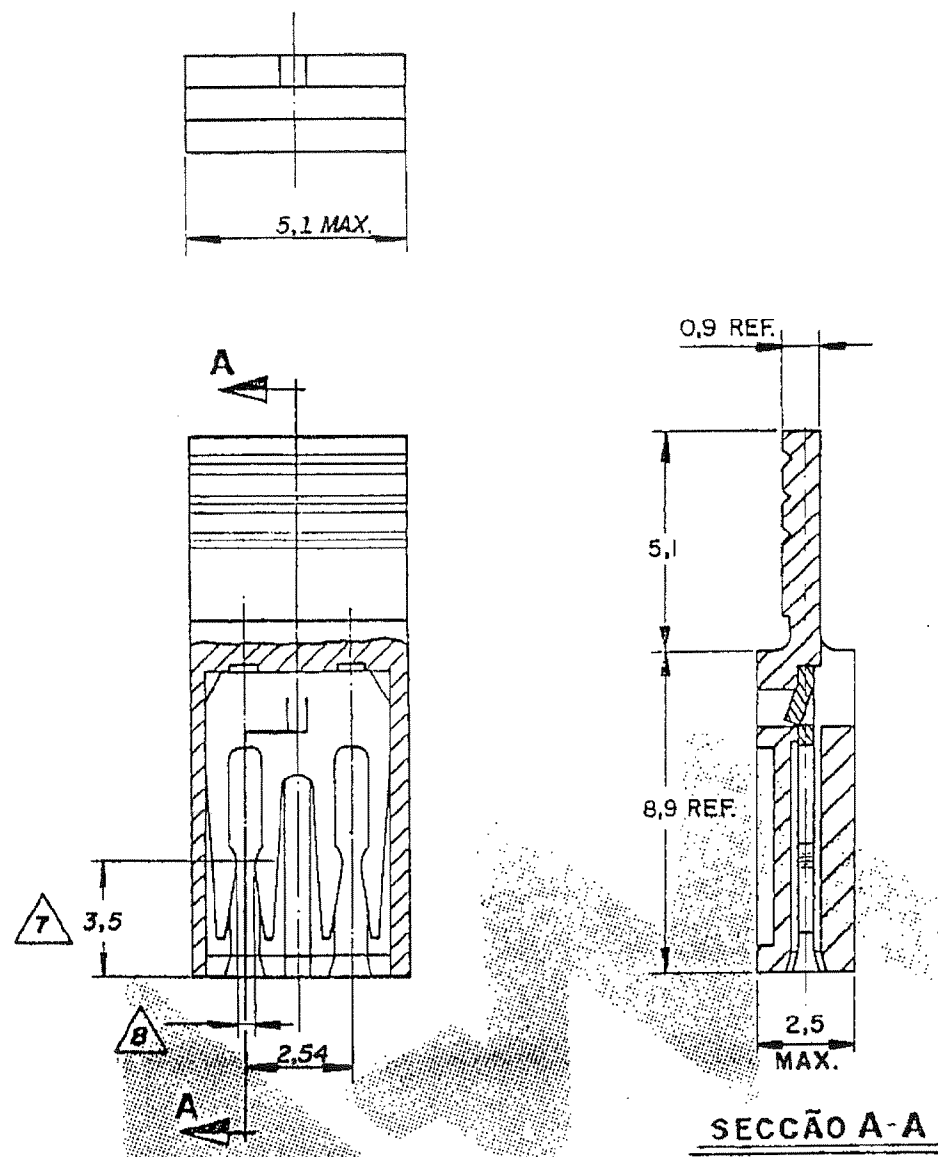


DO NOT SCALE  
DIMENSIONS IN

**METRIC**



C 880584



- NOTAS:**
- 1 MATERIAL: HOUSING: TERMOPLASTICO S/ FIBRA DE VIDRO V-0 COR: PRETO  
CONTATO: BRONZE FOSFOROSO  
MATERIAL: HOUSING: THERMOPLASTIC WITHOUT GLASS FIBER V-0 COLOR: BLACK  
CONTACT: PHOSPHOROUS BRONZE
  - 2 MATERIAL: HOUSING: TERMOPLASTICO C/ FIBRA DE VIDRO HB COR: NATURAL  
CONTATO: BRONZE FOSFOROSO  
MATERIAL: HOUSING: THERMOPLASTIC WITH GLASS FIBER HB COLOR: NATURAL  
CONTACT: PHOSPHOROUS BRONZE
  - 3 0,38 µm. MIN. OURO NA AREA DE CONTATO, SOBRE BANHO 0,76 µm NIQUEL  
0,38 µm. MIN. GOLD ON CONTACT AREA, 0,76 µm NIQUEL UNDERPLATING
  - 4 0,76 µm. MIN. OURO NA AREA DE CONTATO, SOBRE BANHO 0,76 µm NIQUEL  
0,76 µm. MIN. GOLD ON CONTACT AREA, 0,76 µm NIQUEL UNDERPLATING
  - 5 1,27 µm. MIN. OURO NA AREA DE CONTATO, SOBRE BANHO 0,76 µm NIQUEL  
1,27 µm. MIN. GOLD ON CONTACT AREA, 0,76 µm NIQUEL UNDERPLATING
  - 6 ESTANHO SOBRE NIQUEL  
TIN UNDER NICKEL
  - 7 PONTO DE CONTATO P/ MEDIÇÃO DA CAMADA DE OURO  
CONTACT POINT FOR GOLD PLATING MEASUREMENT
  - 8 ACEITA PINO QUADRADO 0,64 x 0,64 OU REDONDO Ø 0,64  
ALLOW SQUARE PIN 0,64 x 0,64 OR ROUND Ø 0,64
  - 9 MATERIAL: HOUSING: TERMOPLASTICO C/ FIBRA DE VIDRO COR VERMELHO, V-2  
CONTATO: BRONZE FOSFOROSO  
MATERIAL: HOUSING: THERMOPLASTIC WITH GLASS FIBER COLOR RED; V-2  
CONTACT: PHOSPHOROUS BRONZE

		3		10	L	2 - 880584	- 1
11	OBSOLETE	6		9			9
11	OBSOLETE	6					8
		5					- 7
11	OBSOLETE	4					6
		3		2			- 5
		6					- 4
11	OBSOLETE	5					3
		4					- 2
		3		1	K7	880584	- 1

OTHER TREATMENT	FINISH	MATERIAL	PART REV.	PART NUMBER																																													
<b>CUSTOMER DWG</b> for REFERENCE ONLY																																																	
THIS DRAWING IS UNPUBLISHED RELEASED FOR PUBLICATION																																																	
© COPYRIGHT 19 BY AMP DO BRASIL LTDA S.P. ALL INTERNATIONAL RIGHTS RESERVED AMP PRODUCTS MAY BE COVERED BY U.S. AND FOREIGN PATENTS AND/OR PATENTS PENDING.																																																	
TOLERANCES UNLESS OTHERWISE STATED		INS. DIA. RANGE	WIRE RANGE	SCALE																																													
DEC. ± 0,3		—//—	—//—	—//—																																													
ANGLES ± 1°		Tycos Electronics TYCO ELECTRONICS DO BRASIL LTDA. São Paulo - Brasil																																															
<table border="0"> <tr> <td>L2</td> <td>REV. BY ECO 10-007087</td> <td>WLS</td> <td>26JUL10</td> <td></td> </tr> <tr> <td>L1</td> <td>REVISED PER ECO-10-000445</td> <td>AEG</td> <td>09JAN10</td> <td></td> </tr> <tr> <td>L</td> <td>REVISED BY ECN</td> <td>300198</td> <td>07-09-78</td> <td></td> </tr> <tr> <td>K1</td> <td>REVISED BY ECN</td> <td>2628</td> <td>07-09-91</td> <td></td> </tr> <tr> <td>K</td> <td>ACRESC. TRACO - 9</td> <td>2561</td> <td>19-08-91</td> <td></td> </tr> <tr> <td>J</td> <td>REVISED BY ECN</td> <td>1720</td> <td>06-08-86</td> <td></td> </tr> </table>					L2	REV. BY ECO 10-007087	WLS	26JUL10		L1	REVISED PER ECO-10-000445	AEG	09JAN10		L	REVISED BY ECN	300198	07-09-78		K1	REVISED BY ECN	2628	07-09-91		K	ACRESC. TRACO - 9	2561	19-08-91		J	REVISED BY ECN	1720	06-08-86																
L2	REV. BY ECO 10-007087	WLS	26JUL10																																														
L1	REVISED PER ECO-10-000445	AEG	09JAN10																																														
L	REVISED BY ECN	300198	07-09-78																																														
K1	REVISED BY ECN	2628	07-09-91																																														
K	ACRESC. TRACO - 9	2561	19-08-91																																														
J	REVISED BY ECN	1720	06-08-86																																														
<table border="0"> <tr> <td>155</td> <td>REVISION</td> <td>RECORD</td> <td>ECN</td> <td>CHK</td> <td>DATE</td> <td>155</td> <td>REVISION</td> <td>RECORD</td> <td>DIR</td> <td>CHK</td> <td>DATE</td> <td>APP</td> </tr> <tr> <td></td> <td></td> <td></td> <td></td> <td></td> <td></td> <td></td> <td></td> <td></td> <td></td> <td></td> <td></td> <td></td> </tr> </table>					155	REVISION	RECORD	ECN	CHK	DATE	155	REVISION	RECORD	DIR	CHK	DATE	APP																																
155	REVISION	RECORD	ECN	CHK	DATE	155	REVISION	RECORD	DIR	CHK	DATE	APP																																					
<table border="0"> <tr> <td>DR.</td> <td>01-06-88</td> <td></td> <td></td> <td></td> </tr> <tr> <td>DR.</td> <td>09-02-88</td> <td></td> <td></td> <td></td> </tr> <tr> <td>DR.</td> <td>06-03-81</td> <td></td> <td></td> <td></td> </tr> <tr> <td>DR.</td> <td>21-01-86</td> <td></td> <td></td> <td></td> </tr> <tr> <td>DR.</td> <td>16-10-85</td> <td></td> <td></td> <td></td> </tr> <tr> <td>CHK</td> <td>10-10-85</td> <td></td> <td></td> <td></td> </tr> <tr> <td>CHK</td> <td>08-04-85</td> <td></td> <td></td> <td></td> </tr> <tr> <td>DE.</td> <td>13-11-84</td> <td></td> <td></td> <td></td> </tr> <tr> <td>DE.</td> <td>9-10-84</td> <td></td> <td></td> <td></td> </tr> </table>					DR.	01-06-88				DR.	09-02-88				DR.	06-03-81				DR.	21-01-86				DR.	16-10-85				CHK	10-10-85				CHK	08-04-85				DE.	13-11-84				DE.	9-10-84			
DR.	01-06-88																																																
DR.	09-02-88																																																
DR.	06-03-81																																																
DR.	21-01-86																																																
DR.	16-10-85																																																
CHK	10-10-85																																																
CHK	08-04-85																																																
DE.	13-11-84																																																
DE.	9-10-84																																																
<table border="0"> <tr> <td colspan="2">DESCRIPTION</td> <td>DWG NO</td> <td>SHEET</td> </tr> <tr> <td colspan="2">AMP SHUNT CONNECTOR ASS'Y</td> <td>C 880584</td> <td>1072</td> </tr> </table>					DESCRIPTION		DWG NO	SHEET	AMP SHUNT CONNECTOR ASS'Y		C 880584	1072																																					
DESCRIPTION		DWG NO	SHEET																																														
AMP SHUNT CONNECTOR ASS'Y		C 880584	1072																																														

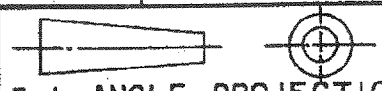
C 880584

DO NOT SCALE

DIMENSIONS IN mm

METRIC

3rd ANGLE PROJECTION



10 MATERIAL: HOUSING: TERMOPLASTICO C/ FIBRA DE VIDRO V-2 COR: VERDE  
CONTATO: BROZE FOSFOROSO

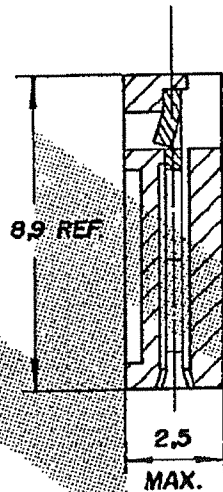
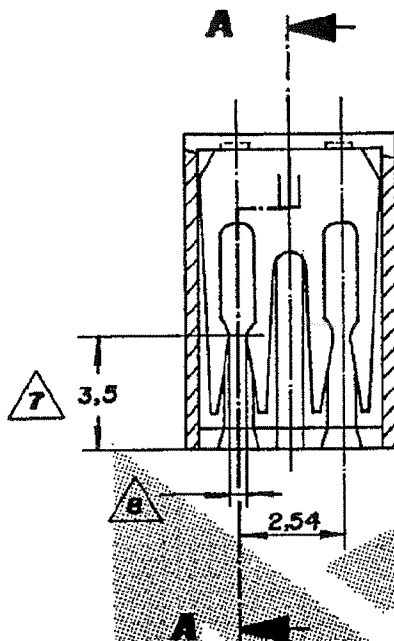
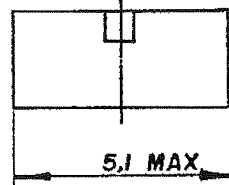
MATERIAL: HOUSING: THERMOPLASTIC WITH GLASS FIBER V-2. COLOR: GREEN  
CONTACT: PHOSPHOROUS BRONZE

11 OBSOLETE PARTS: OBSOLETE CIS STREAMLINING PER D.RENAUD/D.SINISI

**R**

**PA**

**AMP**



SEÇÃO A-A

11 OBSOLETE	6			1	8
	5			1	7
11 OBSOLETE	4			1	6
	3		2	1-	5
	6			1-	4
	5			1	3
	4			1-	2
	3		1	K1	1-

OTHER TREATMENT	FINISH	MATERIAL	PART REV.	PART NUMBER
<p><b>CUSTOMER DWG</b> for REFERENCE ONLY</p> <p>THIS DRAWING IS UNPUBLISHED. RELEASED FOR PUBLICATION 19            © COPYRIGHT 1987 BY AMP DO BRASIL LTDA S.P. ALL INTERNATIONAL RIGHTS RESERVED AMP PRODUCTS MAY BE COVERED BY US AND FOREIGN PATENTS AND/OR PATENTS PENDING.</p> <p>TOLERANCES UNLESS OTHERWISE STATED            DEC. ± 0,8            ANGLES ± 1°</p> <p>INS. DIA. RANGE    WIRE RANGE    SCALE</p> <p>DR. <i>Eschlar</i> 08-MAR-87            CHK. <i>N. W. S.</i> 09-MAR-87            DE. <i>[Signature]</i></p> <p>TYCO ELECTRONICS Do Brasil LTDA            Sao Paulo - Brasil</p> <p>DESCRIPTION  <b>AMP SHUNT CONNECTOR ASS'Y</b></p> <p>DWG NO. <b>A3 C 880584</b></p> <p>SHEET 2 of 2</p>				
ISS	REVISION	RECORD	DR	CHK
				DATE
				APP.

8 7 6 5 4 3 2 1

8 7 6 5 4 3 2 1