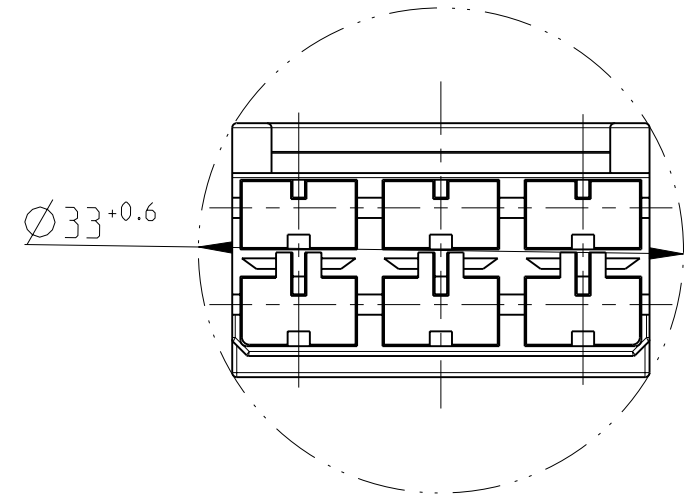
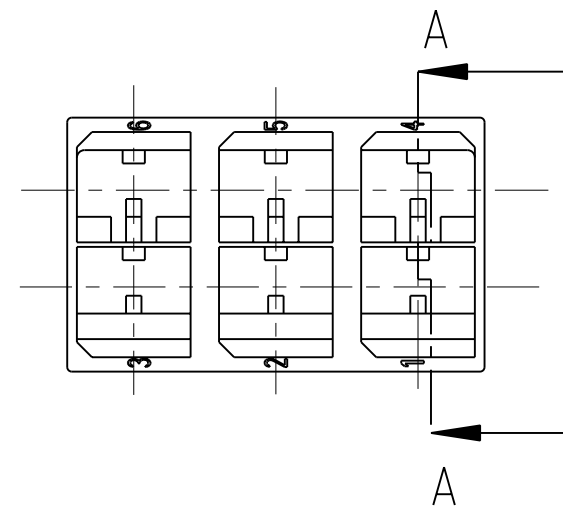
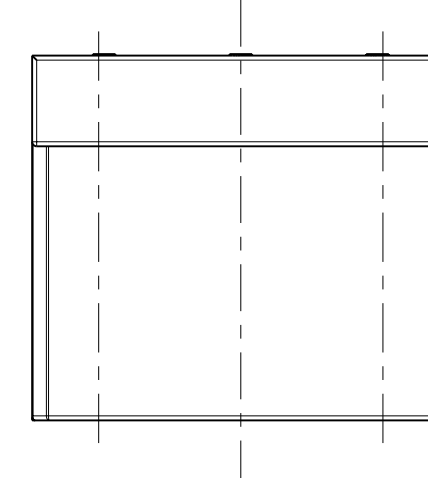
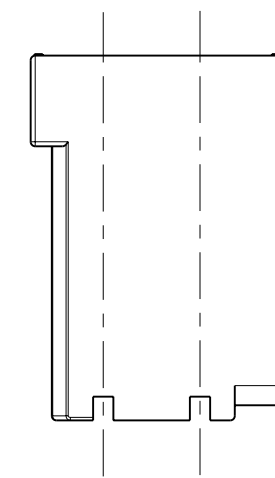
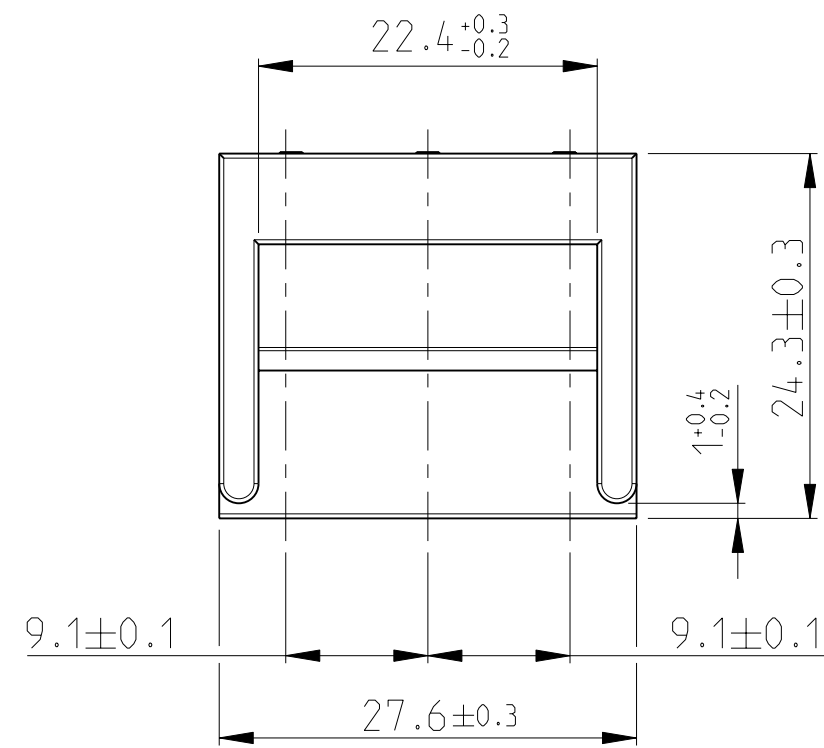
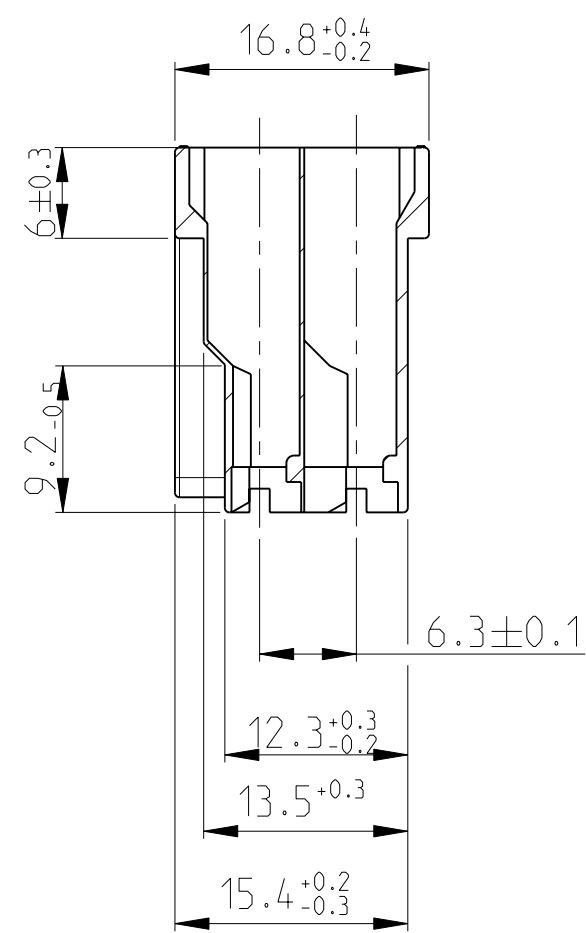


THIS DRAWING IS UNPUBLISHED. RELEASED FOR PUBLICATION 2008
 © COPYRIGHT 2008 BY TYCO ELECTRONICS CORPORATION. ALL RIGHTS RESERVED.

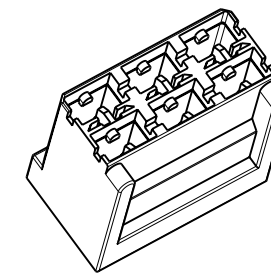
| LOC | DIST | REVISIONS | | | | | |
|-----|------|-----------|-----|---------------------------|-----------|------|------|
| | | P | LTR | DESCRIPTION | DATE | DWN | APVD |
| A1 | - | F1 | | NEW CAD DRAWING CREATED | 17SEP2008 | Raab | Goe. |
| | | F2 | | REVISED PER ECO-10-000445 | 19JAN10 | KK | AEG |



Schnitt Section A-A



1:1



Bemerkungen
NOTES:

1 Nicht vermaßte Wanddicken 1 +0.2/-0.4
WALL THICKNESS 1 +0.2/-0.4 EXEPT AS NOTED

2 Nicht vermaßte Radien R0.3+0.2
ALL RADII R0.3+0.2 EXEPT AS NOTED

3 OBSOLETE PARTS: OBSOLETE CIS STREAMLINING PER D.RENAUD/D.SINISI

| | | | |
|---|-------------------------------|----------|------------|
| | weiß/ WHITE RAL 9001 | PA 6.6 | 926330-8 |
| 3 | OBSOLETE blau/ BLUE RAL 5012 | PA 6.6 | -926330-7 |
| | gelb/ YELLOW RAL 1018 | PA 6.6 | 926330-6 |
| 3 | OBSOLETE grün/ GREEN RAL 6011 | PA 6.6 | -926330-5 |
| | rot/ RED RAL 3000 | PA 6.6 | 926330-4 |
| | natur/ NARURAL | PA 6.6 | 926330-3 |
| 3 | OBSOLETE grau/ GREY RAL 7037 | PA 6.6 | -926330-2 |
| | schwarz/ BLACK | PA 6.6 | 926330-1 |
| | COLOR | MATERIAL | PARTNUMBER |

| DIMENSIONS: | | TOLERANCES UNLESS OTHERWISE SPECIFIED: | | DWN | 17SEP2008 | Tyco Electronics | | Tyco Electronics AMP GmbH |
|-------------|--|--|-------|------------------|--------------|------------------|---|---------------------------|
| mm | | Ø PLC | ± | CHK | Raab, S. | 22SEP2008 | 64625 Bensheim (Germany) | |
| | | 1 PLC | ± | APVD | Goeppel, C. | 23SEP2008 | NAME | |
| | | 2 PLC | ± | PRODUCT SPEC | Bleicher, M. | | 6-poliges POSITIVE LOCK Gehaeuse der Serie 6.3 (.250) | |
| | | 3 PLC | ± | APPLICATION SPEC | | | SIZE | CAGE CODE |
| | | 4 PLC | ± | WEIGHT | 3.7 g | A2 | 00779 | DRAWING NO |
| | | ANGLES | ±1.5° | CUSTOMER DRAWING | | | 926330 | RESTRICTED TO |
| | | FINISH | | SCALE | 2:1 | SHEET | 1 | OF 1 |
| | | | | REV | F2 | | | |