

THIS DRAWING IS UNPUBLISHED. RELEASED FOR PUBLICATION 2006
 © COPYRIGHT 2006 BY TYCO ELECTRONICS CORPORATION. ALL RIGHTS RESERVED.

LOC	DIST	REVISIONS					
		P	LTR	DESCRIPTION	DATE	DWN	APVD
A1	-		A	Maß 7.5 +0.2 war 7.8 ±0.2	29JUN1982	-	Hos.
			B	-2 in natur hinzu	31OCT1983	-	Pet.
			C	-3 hinzu	19FEB2002	-	Lau.
			D	NEW CAVITY DETAIL ADDED	29AUG2006	Haas	Goep.

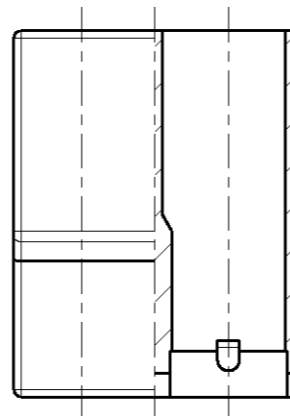
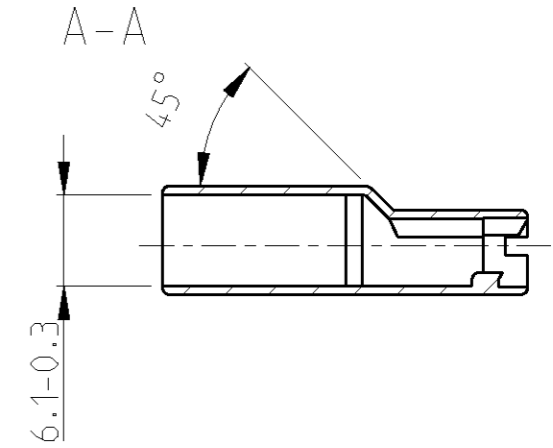
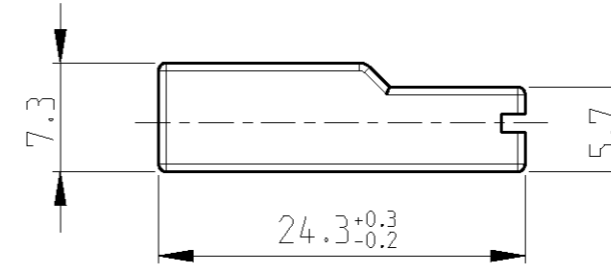
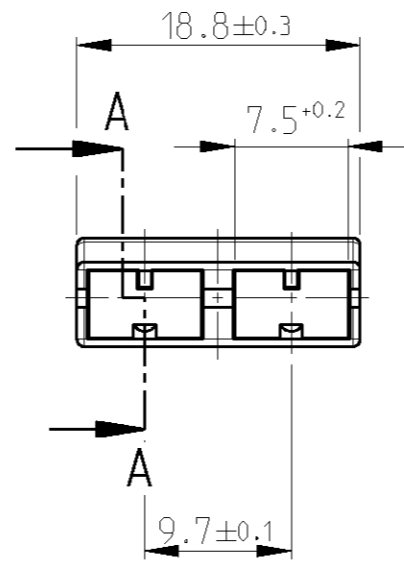
war 80-9407
was

FORD 82GB-13480-AA Nummer des Schalters
number of the switch

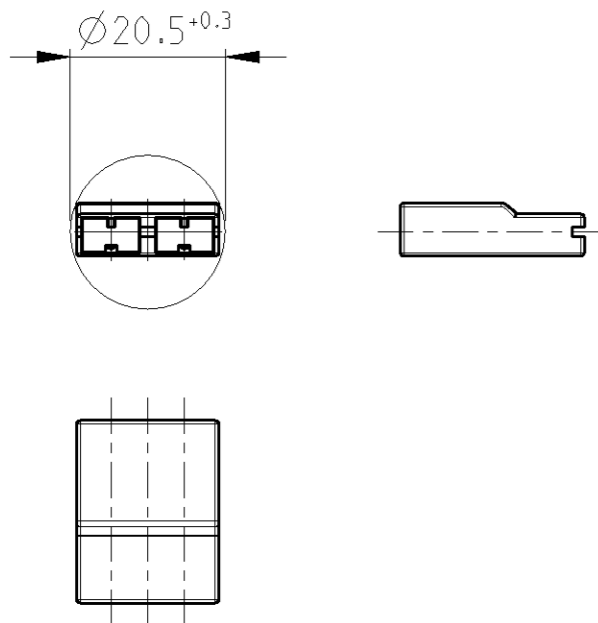
FORD 82 GG 14488 NA

Bemerkungen:
notes:

△ - FOR FORD ONLY



Maßstab: 1:1
scale



für Flachstecker: SL 100.56 Form B
for tab:

Gehäusematerial gemäß: FORD SPEC SKM-4D 9585-A/B
housing material to:

passend zu Zeichnung: 94BG-14474-ZAA
fitting with drawing:

926 716-3	PA 6.6	BLACK
926 716-2 △	PA 6.6	NATURAL
926 716-1 △	PA 6.6	BLACK
PART NO	MATERIAL	COLOR

DIMENSIONS:		TOLERANCES UNLESS OTHERWISE SPECIFIED:		DWN	13JUN1980	tyco Electronics	tyco Electronics AMP GmbH	
mm		0 PLC	±0.2	W.E. Mukohl	-		64625 Bensheim (Germany)	
		1 PLC	±	CHK	-	NAME		
		2 PLC	±	Wendling	-	2POS. POSITIVE LOCK HOUSING		
		3 PLC	±	APVD	01SEP2006	SIZE		
		4 PLC	±	Bleicher, M.	-	A 3		
MATERIAL		ANGLES	±1°30'	PRODUCT SPEC	-	CAGE CODE	DRAWING NO	RESTRICTED TO
FINISH			-	APPLICATION SPEC	-	00779	©=926716	-
				WEIGHT	1.08g	SCALE		SHEET
				CUSTOMER DRAWING		2:1	1	OF 1
								REV
								D