

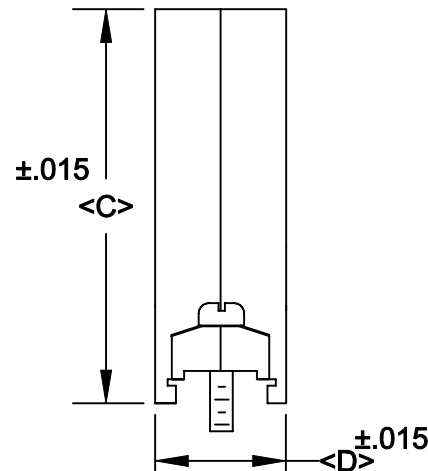
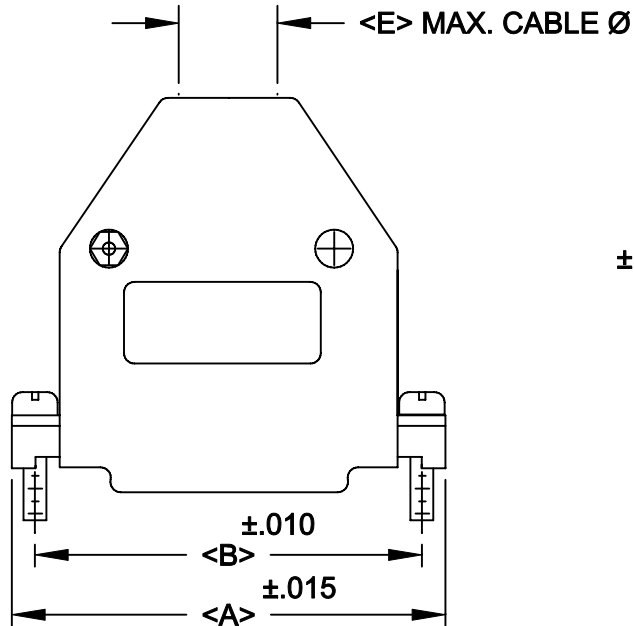
DESCRIPTION: **979 SERIES D-SUB BACKSHELL**

**BACKSHELL KIT INCLUDES:**

- (2) BACKSHELL HALVES
- (2) 4-40 MATING SCREW
- (2) SADDLE WASHERS
- (2) HOUSING SCREWS
- (2) HOUSING NUTS
- (1) GROMMET TREE - VARIOUS SIZES  
(NON-CONDUCTIVE GROMMETS)

979-YYY-YYYRYY1

SERIES \_\_\_\_\_  
 POSITIONS \_\_\_\_\_  
 009  
 015  
 025  
 037  
 050  
 MATERIAL \_\_\_\_\_  
 020 = METALIZED PLASTIC  
 COLOR: \_\_\_\_\_  
 12 = CHROME  
 PUT-UPS \_\_\_\_\_  
 1 = KIT



POS.	A	B	C	D	E
9	1.232	.984	1.913	.656	.354
	31.28	24.99	48.60	16.66	9.00
15	1.555	1.312	1.895	.669	.374
	39.50	33.32	48.13	17.00	9.50
25	2.100	1.852	1.764	.655	.397
	53.34	47.04	44.80	16.64	10.00
37	2.748	2.500	1.900	.655	.512
	69.80	63.50	48.26	16.64	13.00
50	2.697	2.406	1.900	.770	.512
	68.50	61.11	48.26	19.56	13.00

**MATERIAL: ABS HIGH TEMP. PLASTIC - UL 94HB**  
**CHROME PLATING**  
**RoHS COMPLIANT**



THESE DRAWINGS AND SPECIFICATIONS ARE THE PROPERTY OF NorComp AND SHALL NOT BE REPRODUCED, COPIED OR USED AS THE BASIS FOR THE MANUFACTURE OR SALE OF APPARATUS WITHOUT WRITTEN PERMISSION.

DRAWN: **PAM JENKINS**

DATE: **7-28-05**

CHECKED

DATE:

**NorComp**

SCALE SHEET OF REV **2**

DWG NO. **979-YYY-020R121**