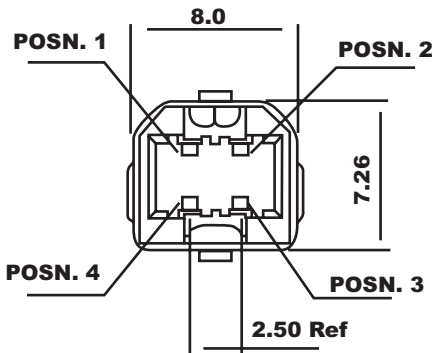
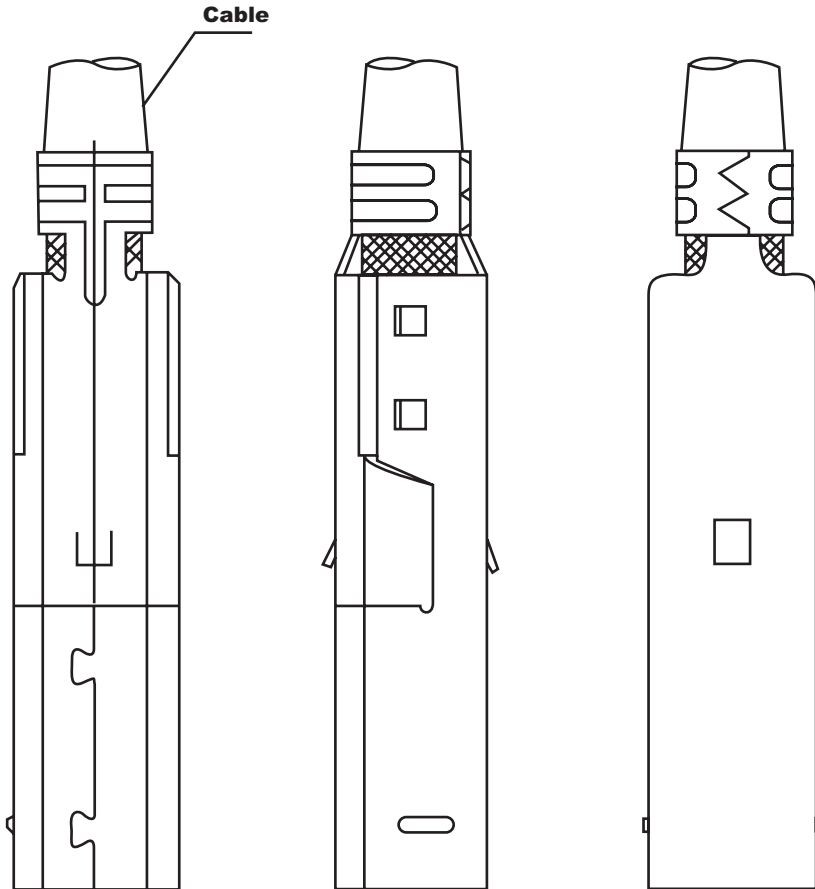


**Notes:**

- 1.0 Rating:
  - 1.1 Voltage: 30 VACS(R.M.S)
  - 1.2 Current: 1.5 Ampere minimum per contact at 30°C T-Rise
  - 1.3 Temperature: -55°C to +85°C unless limited by cable or Overmold( -40°C to +60°C storage; 0°C to +40°C Operating)
- 2.0 Electric Characteristic
  - 2.1 Contact Resistance: 30 Milliohms Maximum Initial
  - 2.2 Insulation Resistance: 1,000 Megohms Minimum
  - 2.3 Dielectric Withstanding Voltage: 500 Vac at Sea Level
  - 2.4 Capacitance: 2 Picofarads Maximum at 1KHZ
- 3.0 Materials:
  - 3.1 Front & Back Shells: Steel
  - 3.2 Housing: Thermoplastic, Glass Filled, UL 94V-0 Rated
  - 3.3 Contact: Copper Alloy
- 4.0 Finishes:
  - 4.1 Front & Shell:
    - TIN/Lead: 5.0um Min Bright Tin/Lead(9:1) Over 2.5um min Copper. Nickel: 3.0um-5.0um Nickel over 2.5um min Copper
    - Gold: 1.5u" min Gold; 5.0um min Nickel;2.5um min Copper
  - 4.2 Contact: Selective Gold Plating
- 5.0 Others:
  - 5.1 Recommended Cable Application: Outer Diameter Applicable Range:ø3.4mm toø5.3mm
  - 5.2 All parts packaged unassembled



Description	
Name :	<b>A-USBPB</b> USB B Type Series

THIS DRAWING IS UNPUBLISHED

© Copyright 2005 by Assmann Electronic Components All International Rights Reserved

This drawing is a controlled document for Assmann Electronics, Inc. It is subject to change and the controlling engineering organization should be contacted for the latest revision.