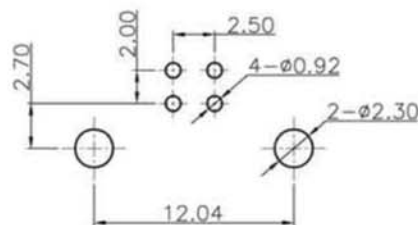
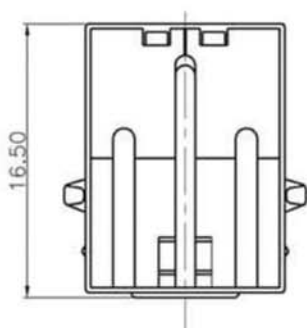


NOTE:  
 MATERIAL:  
 HOUSING:THERMOPLASTIC(PBT+GF&NY6T)  
 COLOR:BLACK/WHITE/BROWN/BEIGE-----  
 CONTACT:BRASS  
 SHELL:BRASS  
 PLATING:  
 TERMINAL FINISH:  
 COLD PLATING 1u",3u",5u".... ON CONTACT AREA  
 100u" TIN PLAING ON SOLDER TAIL  
 50u" TICKEL UNDREREPLATED OVER ALL  
 SPECIFICATION:  
 VOLTAGE RATING: 30V  
 CURRENT RATING: 1A  
 CONTACT RESISTANCE TERMINAL:50mΩ MAX  
 DIELECTRIC WITHSTANDING VOLTAGE:150V AC  
 INSULATION RESISTANCE:1000MΩ MIN



RECOMMENDED PCB LAYOUT

**RoHS**  
Compliant

ITEM NO  
 AU-Y1007-R (Type B, Version 1.1, 5μ" Gold)  
 AU-Y1007-2-R (Type B, Version 2.0, 30μ" Gold)

TITLE  
 USB, for PCB Mounting, Type B

**ASSMANN**  
 Electronics, Inc.  
 1840 W. Drake Drive, Suite 101 - Tempe, AZ 85283  
 Toll Free: 1-877-277-6266 Email: info@usa-assmann.com

THIS DRAWING IS UNPUBLISHED  
 ©Copyright 2008 by Assmann Electronic Components  
 All International Rights Reserved