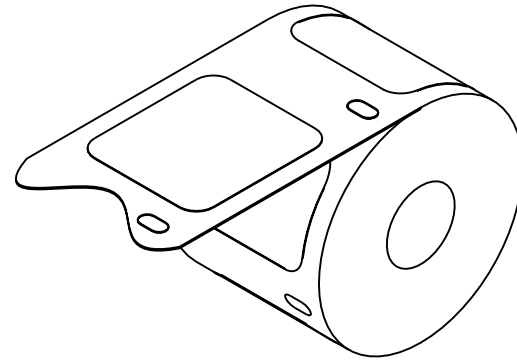
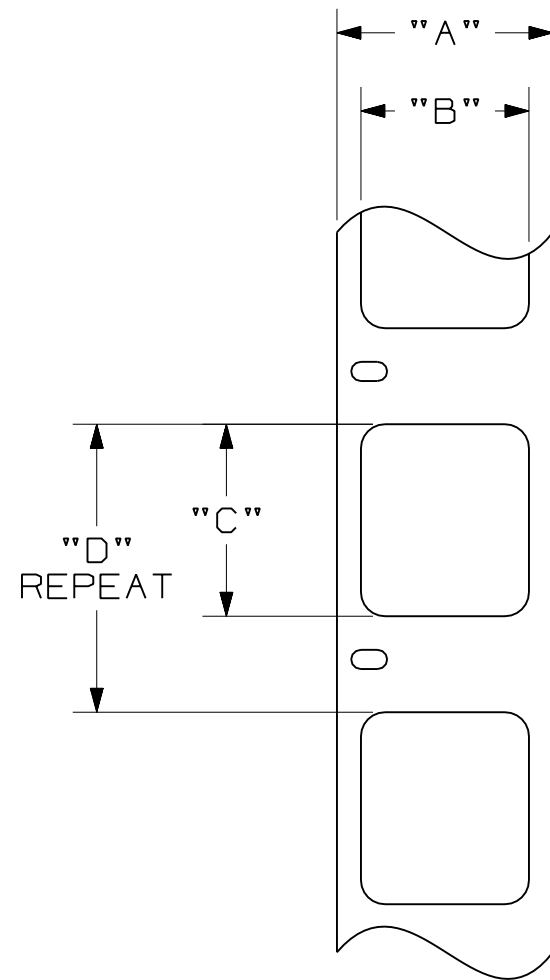


THIS COPY IS PROVIDED ON A RESTRICTED BASIS AND IS NOT TO BE USED IN ANY WAY DETRIMENTAL TO THE INTERESTS OF PANDUIT CORP.



NOTE:  
 1. SEE MFG. DWG. NO. A61317.  
 2. DIMENSION IN [ ] ARE IN MILLIMETERS.

PANDUIT PART NO.	MATERIAL	"A"	"B"	"C"	"D"	LABELS/ROLL
C060X020YJC	WHITE POLYESTER GMY4-W	0.85 [ 21.59 ]	0.600 [ 15.24 ]	0.200 [ 5.08 ]	0.500 [ 12.7 ]	750
C100X025YJC	WHITE POLYESTER GMY4-W	1.13 [ 28.70 ]	1.000 [ 25.4 ]	0.250 [ 6.35 ]	0.500 [ 12.7 ]	500
C100X050YJC	WHITE POLYESTER GMY4-W	1.13 [ 28.70 ]	1.000 [ 25.4 ]	0.500 [ 12.7 ]	0.750 [ 19.05 ]	500
C150X075YJC	WHITE POLYESTER GMY4-W	1.13 [ 28.70 ]	0.750 [ 19.05 ]	1.500 [ 38.1 ]	1.750 [ 44.45 ]	250
C200X050YJC	WHITE POLYESTER GMY4-W	0.85 [ 21.59 ]	0.500 [ 12.70 ]	2.000 [ 50.8 ]	2.250 [ 57.15 ]	200
C200X100YJC	WHITE POLYESTER GMY4-W	1.13 [ 28.70 ]	1.000 [ 25.4 ]	2.000 [ 50.8 ]	2.250 [ 57.15 ]	200

CAD FILENAME/LAYERS: I00472LZ_C10412_CxxxXxxxYJC_00.PRT									
<h1>PANDUIT</h1> CORP TINLEY PARK, ILLINOIS CUSTOMER DRAWING LSB COMPONENT LABELS C***X***YJC									
UNLESS OTHERWISE SPECIFIED, DIMENSIONAL TOLERANCES ARE: (.X) ± .030 (.XX) ± .030 (.XXX) ± .015 ANGLES ±							UNLESS OTHERWISE SPECIFIED, ALL DIMENSIONS ARE GIVEN IN INCHES, THIRD ANGLE PROJECTION		
DRAWN BY: RVU							MAT'L: SEE TABLE		SCALE: NTS
DATE: 5-11-06							DRAWING NO. C10412		DWG SIZE: B
0	5-11-06	RVU	DWY	DRAWING RELEASE			4503	R	
REV	DATE	BY	CHK	DESCRIPTION			ECN	R	CUST SUP