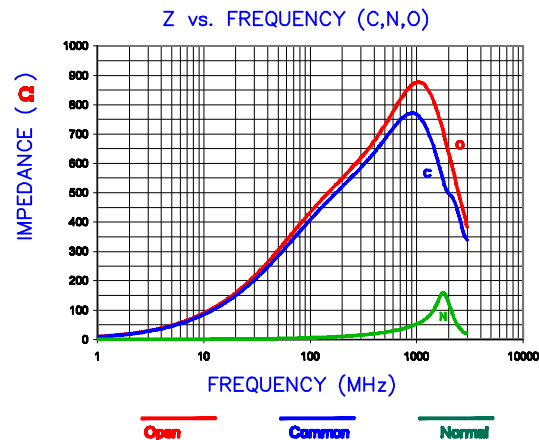
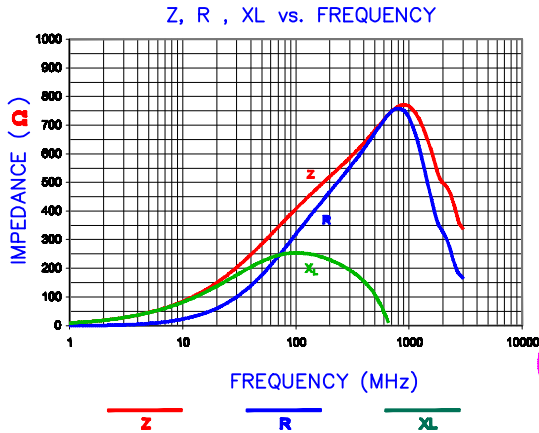
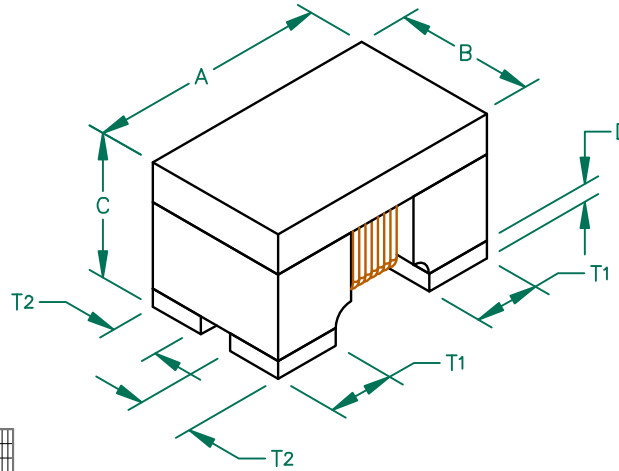


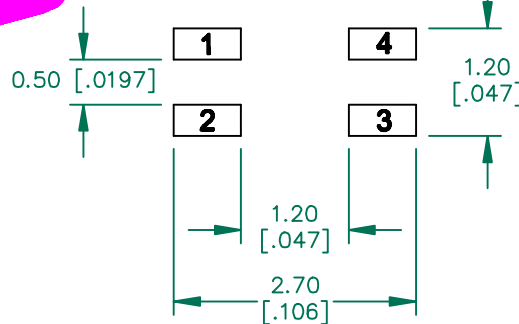
CM0805A371R-10

PHYSICAL DIMENSIONS:

A	2.00 [.079]	+ 0.20 [.008]
B	1.20 [.047]	+ 0.20 [.008]
C	1.20 [.047]	+ 0.20 [.008]
D	0.15 [.006]	+ 0.10 [.004]
T1	0.55 [.022]	+ 0.10 [.004]
T2	0.46 [.018]	+ 0.10 [.004]



OBsolete

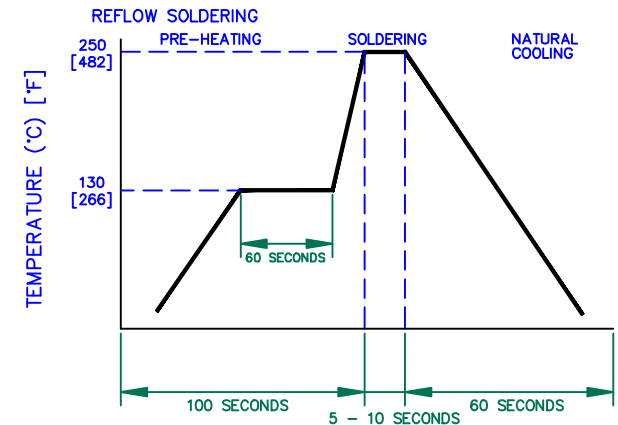


Electrical Characteristics		Nominal	Min	Max
Common Mode Impedance @ 100MHz	(Ω)	370	278	436
DCR	(Ω)	-	-	0.5
Rated Current	(mA)	-	-	100

NOTES: UNLESS OTHERWISE SPECIFIED

1. TAPED AND REELED per CURRENT EIA SPECIFICATIONS 7" REELS, EMBOSSED PLASTIC TAPE 2,000 PCS/REEL.
2. TERMINATION FINISH 100% MATTE TIN.
3. COMPONENTS SHOULD BE ADEQUATELY PREHEATED BEFORE SOLDERING.

RECOMMENDED SOLDERING CONDITIONS



DIMENSIONS ARE IN mm [INCHES].				THIS DOCUMENT CONTAINS INFORMATION WHICH IS PROPRIETARY AND CONFIDENTIAL TO STEWARD. NO PRODUCTION OR PUBLICATION OF THIS DOCUMENT IN WHOLE OR IN PART SHALL BE MADE WITHOUT WRITTEN AUTHORIZATION FROM STEWARD.			
				Steward			
				PROJECT/PART NUMBER:	REV	PART TYPE:	DRAWN BY:
				CM0805A371R-10	A	CM CHOKE	JRK
DATE:		08/11/06		SCALE:	NTS		SHEET:
A ORIGINAL DRAFT		08/11/06 JRK		TOOL #		-	
REV	DESCRIPTION	DATE	INT	CAD #		CM0805A371R-10-A	
						2 of 2	