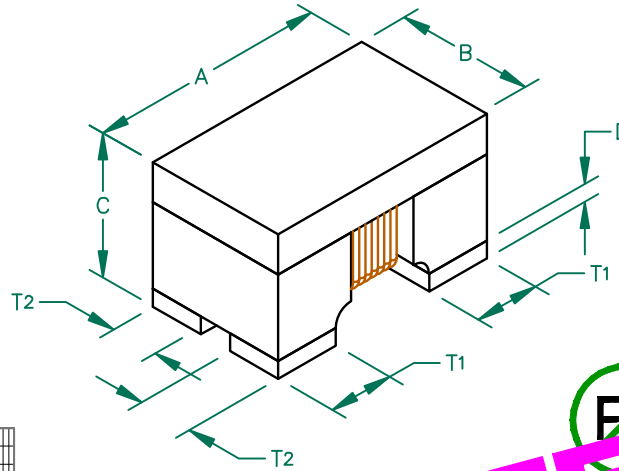


# CM0805C221R-10

## PHYSICAL DIMENSIONS:

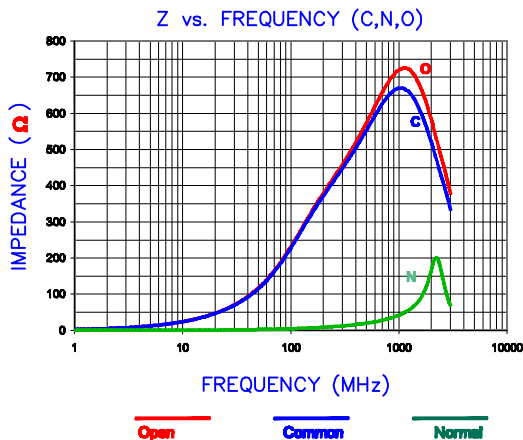
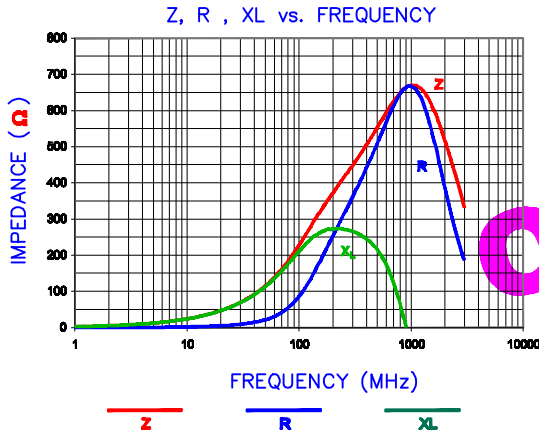
A	2.00 [.079]	+ 0.20 [.008]
B	1.20 [.047]	+ 0.20 [.008]
C	1.20 [.047]	+ 0.20 [.008]
D	0.15 [.006]	+ 0.10 [.004]
T1	0.40 [.016]	+ 0.10 [.004]
T2	0.40 [.016]	+ 0.10 [.004]



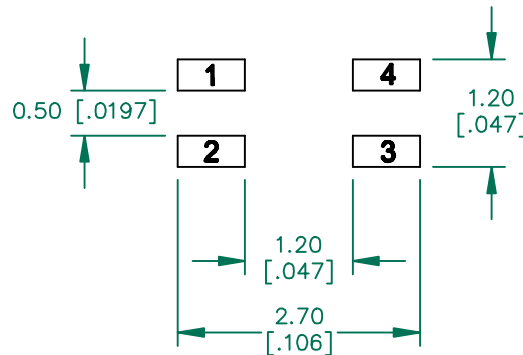
**OBSOLETE**

Electrical Characteristics		Nominal	Min	Max
Common Mode Impedance @ 100MHz	( $\Omega$ )	220	165	275
DCR	( $\Omega$ )	-	-	0.4
Rated Current	(mA)	-	-	300

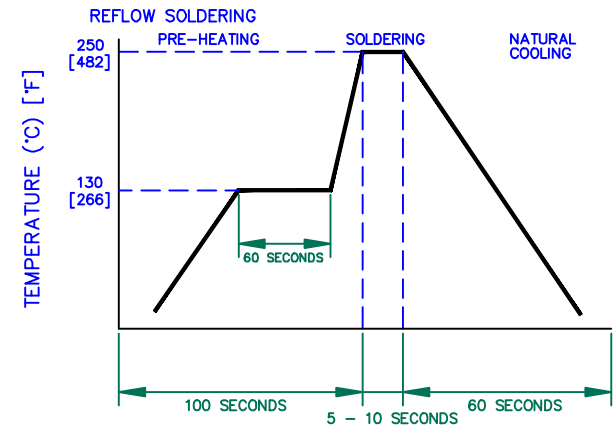
- NOTES: UNLESS OTHERWISE SPECIFIED
1. TAPED AND REELED per CURRENT EIA SPECIFICATIONS 7" REELS, EMBOSSED PLASTIC TAPE 2,000 PCS/REEL.
  2. TERMINATION FINISH 100% MATTE TIN.
  3. COMPONENTS SHOULD BE ADEQUATELY PREHEATED BEFORE SOLDERING.



## LAND PATTERNS FOR REFLOW SOLDERING



## RECOMMENDED SOLDERING CONDITIONS



DIMENSIONS ARE IN mm [INCHES].		THIS DOCUMENT CONTAINS INFORMATION WHICH IS PROPRIETARY AND CONFIDENTIAL TO STEWARD. NO PRODUCTION OR PUBLICATION OF THIS DOCUMENT IN WHOLE OR IN PART SHALL BE MADE WITHOUT WRITTEN AUTHORIZATION FROM STEWARD.			
		<b>Steward</b>			
PROJECT/PART NUMBER:		REV	PART TYPE:	DRAWN BY:	
CM0805C221R-10		A	CM CHOKE	JRK	
DATE:	08/11/06	SCALE:	NTS	SHEET:	
A	ORIGINAL DRAFT	08/11/06	JRK	2 of 2	
REV	DESCRIPTION	DATE	INT	TOOL #	