

CM2722R151R-10

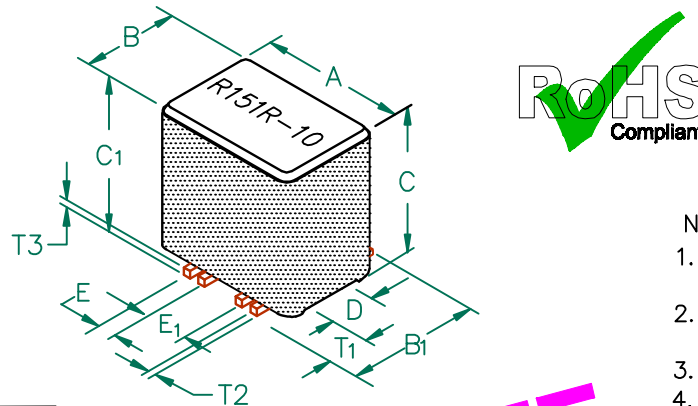


PHYSICAL DIMENSIONS:

A	6.99 [.275]	+ 0.10 [.004]
B	5.72 [.225]	+ 0.10 [.004]
B ₁	6.73 [.265]	MAX
C	7.62 [.300]	+ 0.13 [.005]
C ₁	8.40 [.330]	MAX.
D	2.41 [.095]	+ 0.08 [.003]
E	0.89 [.035]	+ 0.13 [.005]
E ₁	1.91 [.075]	+ 0.13 [.005]

WIRE:

T ₁	1.91 [.075]	+ 0.25 [.010]
T ₂	0.38 [.015]	TYP.
T ₃	0.38 [.015]	TYP.

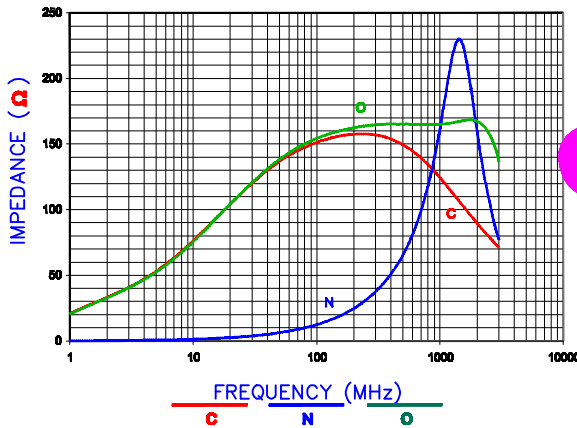


ELECTRICAL CHARACTERISTICS:		
Z @ 100MHz (Ω)	DCR (Ω)	Rated Current
Nominal	150	
Minimum	120	
Maximum	-	0.02
		5,000 mA

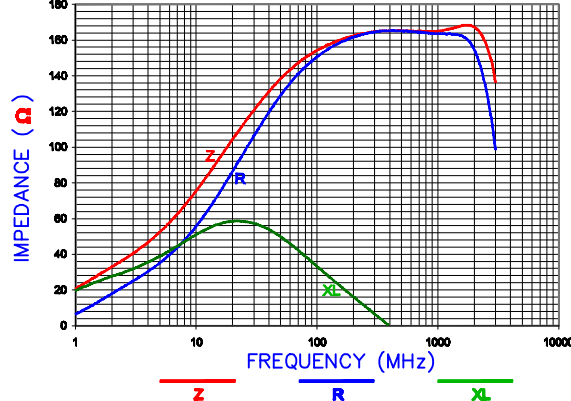
NOTES: UNLESS OTHERWISE SPECIFIED

1. TAPED AND REELED per CURRENT EIA SPEC. 13" REELS, 600 PCS per REEL.
2. COMPONENTS SHOULD BE ADEQUATELY PREHEATED BEFORE SOLDERING.
3. REF. CARRIER TAPE SPECIFICATION #CART2722-1P.
4. TERMINATION FINISH IS 100% TIN.
5. THIS PART HAS NO PIN POLARITY.

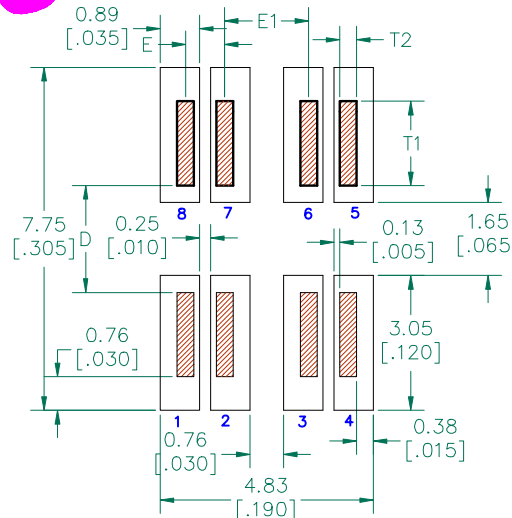
Z vs. FREQUENCY (C,O,N)



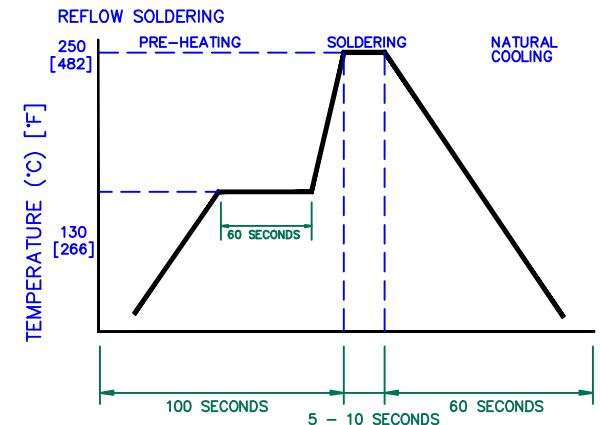
Z, R, XL vs. FREQUENCY



OBSOLETE



RECOMMENDED SOLDERING CONDITIONS



DIMENSIONS ARE IN mm (INCHES).			THIS DOCUMENT CONTAINS INFORMATION WHICH IS PROPRIETARY AND CONFIDENTIAL TO STEWARD. NO PRODUCTION OR PUBLICATION OF THIS DOCUMENT IN WHOLE OR IN PART SHALL BE MADE WITHOUT WRITTEN AUTHORIZATION FROM STEWARD.																
<table border="1"> <tr> <td>PROJECT/PART NUMBER:</td> <td>REV</td> <td>PART TYPE:</td> <td>DRAWN BY:</td> </tr> <tr> <td>CM2722R151R-10</td> <td>A</td> <td>ASSEMBLY</td> <td>JRK</td> </tr> </table>			PROJECT/PART NUMBER:	REV	PART TYPE:	DRAWN BY:	CM2722R151R-10	A	ASSEMBLY	JRK	<table border="1"> <tr> <td>DATE:</td> <td>SCALE:</td> <td>SHEET:</td> </tr> <tr> <td>5/26/04</td> <td>NTS</td> <td>2 of 3</td> </tr> </table>			DATE:	SCALE:	SHEET:	5/26/04	NTS	2 of 3
			PROJECT/PART NUMBER:	REV	PART TYPE:	DRAWN BY:													
CM2722R151R-10	A	ASSEMBLY	JRK																
DATE:	SCALE:	SHEET:																	
5/26/04	NTS	2 of 3																	
A	ORIGINAL DRAFT	5/26/04	JRK	CAD #															
REV	DESCRIPTION	DATE	INT	TOOL #															
				H0275-1															