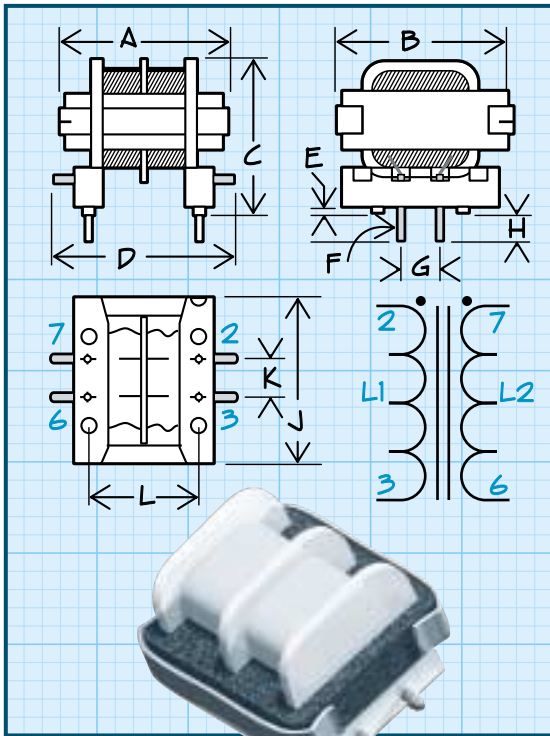


PC Mount Common Mode Chokes



Physical Parameters

| | Inches | Millimeters |
|---|------------------|-----------------|
| A | 0.740 ± 0.025 | 18.8 ± 0.64 |
| B | 0.840 ± 0.025 | 21.3 ± 0.64 |
| C | 0.670 ± 0.025 | 17.0 ± 0.64 |
| D | 0.900 Ref. | 22.9 ± 0.64 |
| E | 0.040 ± 0.025 | 1.0 ± 0.64 |
| F | 0.025 Sq. (Typ.) | 0.64 Sq. (Typ.) |
| G | 0.200 ± 0.010 | 5.1 ± 0.3 |
| H | 0.175 ± 0.010 | 4.4 ± 0.3 |
| J | 0.750 ± 0.025 | 19.1 ± 0.64 |
| K | 0.200 ± 0.010 | 5.1 ± 0.3 |
| L | 0.515 ± 0.010 | 13.1 ± 0.3 |

All dimensions are typical

Operating Temperature Range -55°C to +125°C

Current Rating at 80°C Ambient 40°C rise

Mechanical Configuration Tape wrapped winding sections; varnish impregnated assembly.

- Notes**
- 1) Inductance in table is for either L1 or L2.
 - 2) Leakage Inductance tested at L1 with L2 shorted or at L2 with L1 shorted.
 - 3) Windings balanced within 1%.

Packaging Bulk only

| DASH NUMBER* | L (µH), L1 or L2 @ 1kHz ± 25% | DC RESISTANCE MAXIMUM (OHMS) | CURRENT RATING MAXIMUM (AMPS) | LEAKAGE IND. MAXIMUM (µH) |
|--------------|-------------------------------|------------------------------|-------------------------------|---------------------------|
| -473 | 47 | 0.016 | 3.5 | 4.0 |
| -563 | 56 | 0.018 | 3.5 | 4.0 |
| -683 | 68 | 0.019 | 3.5 | 5.0 |
| -823 | 82 | 0.023 | 2.8 | 5.5 |
| -104 | 100 | 0.025 | 2.8 | 6.0 |
| -124 | 120 | 0.028 | 2.8 | 6.5 |
| -154 | 150 | 0.030 | 2.8 | 7.5 |
| -184 | 180 | 0.038 | 2.2 | 8.0 |
| -224 | 220 | 0.044 | 2.2 | 9.0 |
| -274 | 270 | 0.051 | 2.2 | 10 |
| -334 | 330 | 0.058 | 1.7 | 11 |
| -474 | 470 | 0.078 | 1.4 | 16 |
| -564 | 560 | 0.091 | 1.4 | 18 |
| -684 | 680 | 0.115 | 1.1 | 20 |
| -824 | 820 | 0.131 | 1.1 | 25 |
| -105 | 1000 | 0.194 | 0.88 | 35 |
| -125 | 1200 | 0.219 | 0.88 | 47 |
| -155 | 1500 | 0.278 | 0.70 | 49 |
| -185 | 1800 | 0.306 | 0.70 | 59 |
| -225 | 2200 | 0.431 | 0.55 | 76 |
| -275 | 2700 | 0.469 | 0.55 | 91 |
| -335 | 3300 | 0.531 | 0.55 | 101 |
| -395 | 3900 | 0.669 | 0.44 | 135 |
| -475 | 4700 | 0.760 | 0.44 | 158 |
| -565 | 5600 | 0.853 | 0.44 | 196 |
| -685 | 6800 | 1.24 | 0.35 | 257 |
| -825 | 8200 | 1.40 | 0.35 | 296 |
| -106 | 10000 | 1.61 | 0.35 | 362 |
| -126 | 12000 | 1.98 | 0.27 | 410 |
| -156 | 15000 | 2.24 | 0.27 | 503 |
| -186 | 18000 | 2.45 | 0.27 | 602 |
| -226 | 22000 | 3.49 | 0.22 | 730 |
| -276 | 27000 | 4.60 | 0.17 | 870 |
| -336 | 33000 | 5.21 | 0.17 | 1150 |
| -396 | 39000 | 7.19 | 0.13 | 1300 |
| -476 | 47000 | 7.80 | 0.13 | 1541 |
| -566 | 56000 | 8.69 | 0.13 | 1875 |
| -686 | 68000 | 9.69 | 0.13 | 2254 |
| -826 | 82000 | 13.10 | 0.10 | 2702 |
| -107 | 100000 | 14.60 | 0.10 | 3269 |
| -127 | 120000 | 16.00 | 0.10 | 3456 |

*Complete part # must include series # PLUS the dash #

For further surface finish information, refer to TECHNICAL section of this catalog.