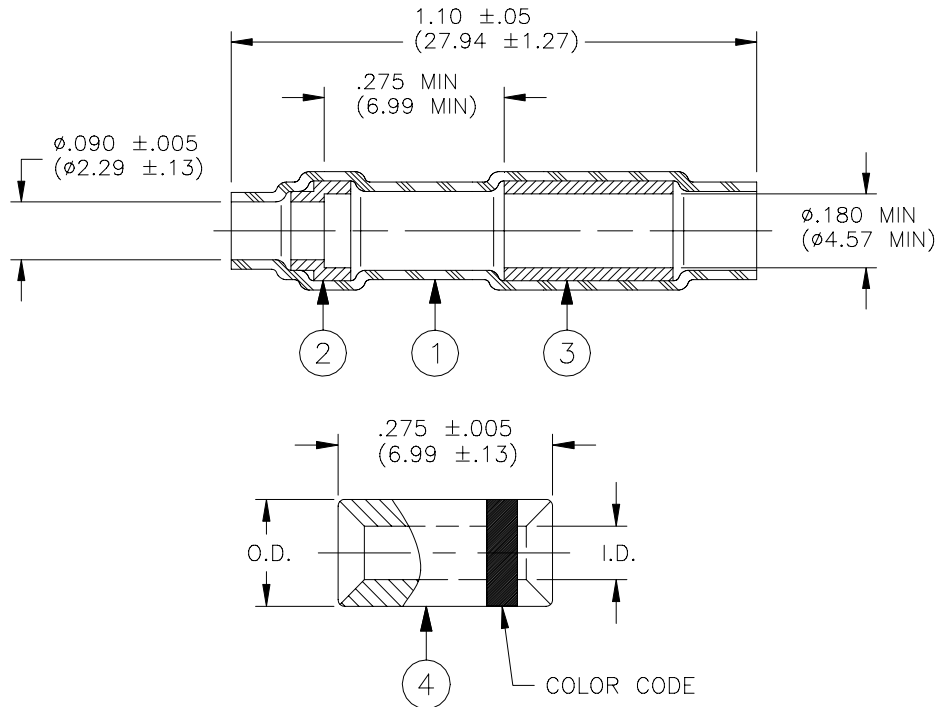


CUSTOMER DRAWING



Dimensions Of Sub Splicer				I.D.		O.D.	
Product Name	Color Code	Max. Weight	CMA Range	min	max	min	max
D-436-58	Blue	1.4 lbs/Mpcs	779- 2680	0.064 (1.63)	0.069 (1.75)	0.101 (2.57)	0.106 (2.69)
D-436-59	Yellow	1.8 lbs/Mpcs	1900- 6755	0.097 (2.46)	0.102 (2.59)	0.147 (3.73)	0.153 (3.89)

MATERIAL

1. INSULATION SLEEVE: Heat-shrinkable, radiation cross-linked modified polyvinylidene fluoride. Transparent blue.
2. MELTABLE SEALING INSERT: Modified, immersion resistant thermoplastic. Color: natural.
3. MELTABLE SEALING INSERT: Modified, immersion resistant thermoplastic. Color: natural.
4. SEAMLESS STUB SPLICER:
 BASE METAL: Copper alloy 101 or 102 per WW-T-775.
 PLATING: Tin per MIL-T-10727, Type 1.

APPLICATION

1. These parts are designed to provide an immersion resistant 2 wire stub splice, or a 2 to 1 parallel splice, made with having insulations rated for 135°C minimum.
2. Recovered dimensions of insulation sleeve (Item1):
 I.D.: .095 (2.4130) Max.
 Wall: .013 (0.3302) Min.
3. For installation procedures refer to Raychem's "Miniseal D-436 Series Sealed Crimp Splice Products Installation Guidelines."

		300 Constitution Dr Menlo Park, CA 94025, U.S.A.		TITLE: STUB SPLICE SEALING SYSTEM		
		Raychem Devices		DOCUMENT NO.: D-436-58/-59		
Unless otherwise specified dimensions are in millimeters. [Inches dimensions are shown in brackets]		Tyco Electronics reserves the right to amend this drawing at any time. Users should evaluate the suitability of the product for their application.		REV:	DATE:	
TOLERANCES: 0.00 N/A 0.0 N/A 0 N/A	ANGLES: N/A ROUGHNESS IN MICRON			H	August 26, 2009	
REVISED BY: UNGUYEN	CAGE CODE: 06090	ECO NUMBER: ECO-09-019644	SCALE: NTS	SIZE: A	SHEET: 1 of 1	

© 2004-2009 Tyco Electronics Corporation. All rights reserved.

If this document is printed it becomes uncontrolled. Check for the latest revision.