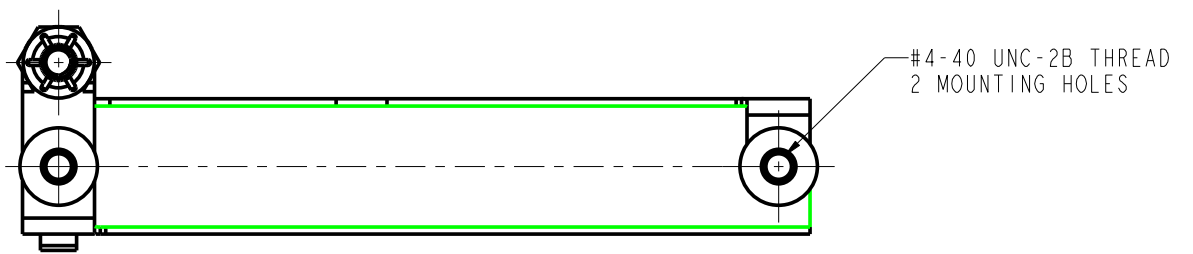
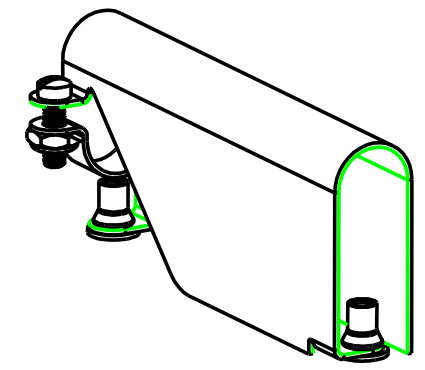
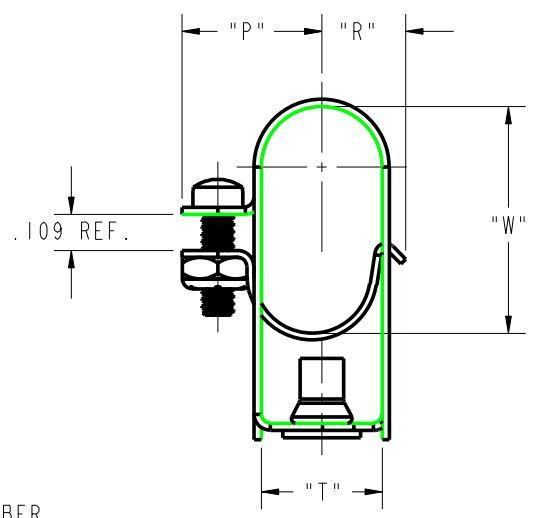
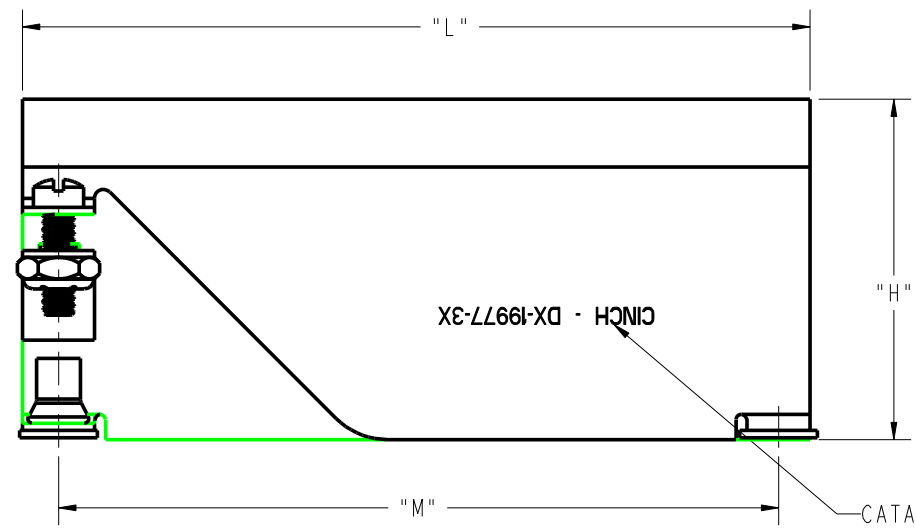


DRAWING REVISIONS			
REV	DOCUMENT	APP	DATE
A	DO 05-1094		



NOTES:

- MATERIALS:
  - SHELL: STEEL, PLATING ZINC WITH CLEAR CHROMATE.
  - CLAMP: STEEL, PLATING ZINC WITH CLEAR CHROMATE.
  - SCREW: STEEL, PLATING ZINC WITH CLEAR CHROMATE.
  - NUT: BRASS, PLATING ZINC WITH CLEAR CHROMATE.
  - RIVET: ALUMINUM, PLATING TRIVALENT CHROMATE
- DIMENSIONS IN [ ] ARE IN MILLIMETERS.

CATALOG NUMBER	PART NUMBER	DIM "L"	DIM "M"	DIM "H"	DIM "T"	DIM "W"	DIM "P"	DIM "R"
DE-19977-30	702 49 09 001	1.203 [30.56]	.984 [24.99]	.718 [18.24]	.437 [11.10]	.437 [11.10]	.469 [11.91]	.281 [7.14]
DA-19977-31	702 49 15 001	1.531 [38.89]	1.312 [33.32]					
DB-19977-32	702 49 25 001	2.078 [52.78]	1.852 [47.04]	.969 [24.61]		.625 [15.87]		
DC-19977-33	702 49 37 001	2.718 [69.04]	2.500 [63.50]	1.187 [30.15]		.812 [20.62]		
DD-19977-34	702 49 50 001	2.625 [66.68]	2.406 [61.11]	1.250 [31.75]		.562 [14.27]		

**ROHS COMPLIANT**

UNITS		ENGLISH		PRO/E				<small>MODELED BY: V.SKUZA</small>	
DO NOT SCALE DRAWING				<small>DRAWN BY</small> V.SKUZA	<small>DATE</small> 05/11/05	<small>TITLE</small> JUNCTION SHELL, D-SUB RIGHT ANGLE CLAMP			
<small>THIS DOCUMENT IS THE PROPERTY OF CINCH. NEITHER THIS DOCUMENT NOR ANY OF THE INFORMATION CONTAINED IN IT MAY BE DUPLICATED OR DISCLOSED WITHOUT PRIOR WRITTEN CONSENT OF CINCH.</small>				<small>DESIGN ENGINEER</small> A.BALI	<small>DATE</small> 05/11/05	<small>MATERIAL</small>		<small>CONTROL SPEC NUMBER</small>	
				<small>DESIGN ENGINEERING MGR.</small>		<small>MATERIAL SPEC NUMBER</small>		<small>FINISH</small>	<small>PROJECT NUMBER</small> C14716
<small>MFG. ENGINEERING</small> S.ASAUSKAS				<small>DATE</small> 5/31/05	<small>CAD FILE NUMBER</small> DX-19977-3X	<small>DRAWING NUMBER</small> <b>D*-19977-3X</b>		<small>SCALE</small> 1:1	
<small>QUALITY ASSURANCE</small> A.VASQUEZ				<small>DATE</small> 5/31/05	<small>CAGE IDENT NO.</small> 71785	<small>SIZE</small> B	<small>SHEET</small> 1 OF 1		