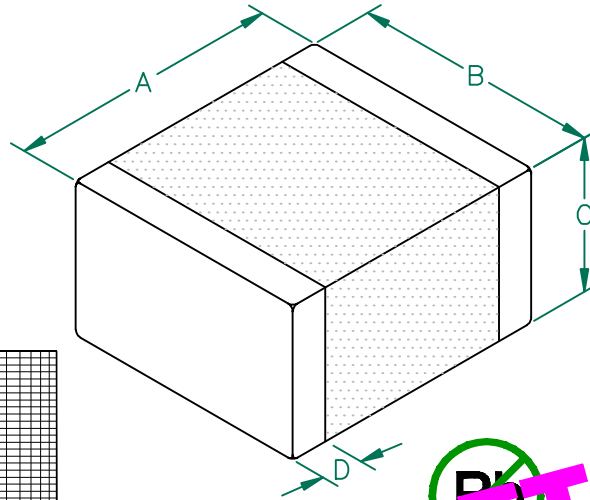


DI2220V301R-10

PHYSICAL DIMENSIONS:

A	5.59 [.220]	+ 0.51 [.020]
B	5.08 [.200]	+ 0.25 [.010]
C	3.61 [.142]	+ 0.25 [.010]
D	0.76 [.030]	+ 0.25 [.010]



ELECTRICAL CHARACTERISTICS:

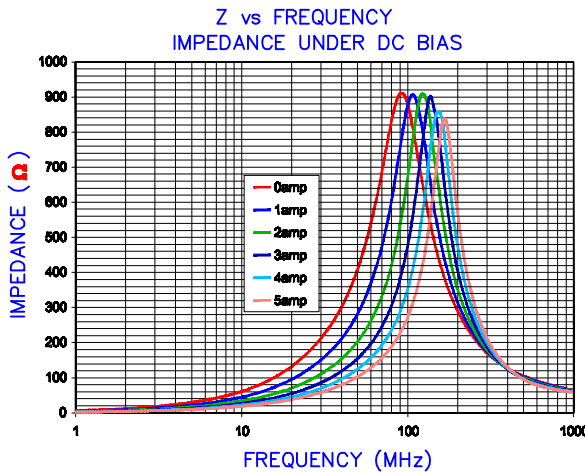
L @ 5 Amps (nH)		DCR (Ω)	Rated Current
Nominal	300		
Minimum	270		
Maximum	330	0.010	8000 mA

* AS MEASURED IN CIRCUIT @ 2MHz

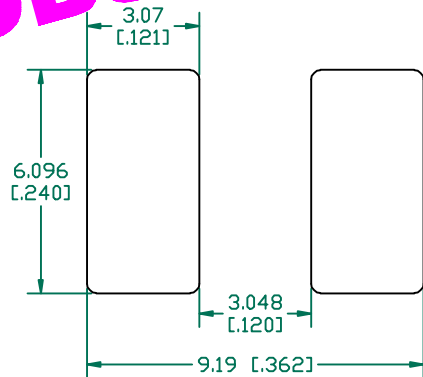
NOTES: UNLESS OTHERWISE SPECIFIED

1. TAPED AND REELED per CURRENT EIA SPECIFICATIONS 13" REELS, 2,000 PCS/REEL.
2. TERMINATION FINISH IS 100% TIN.
3. COMPONENTS SHOULD BE ADEQUATELY PREHEATED BEFORE SOLDERING.

U.S. PATENT 6,249,205B1 SHOULD APPEAR ON THE LABEL OF EACH REEL OF PACKAGED PARTS.

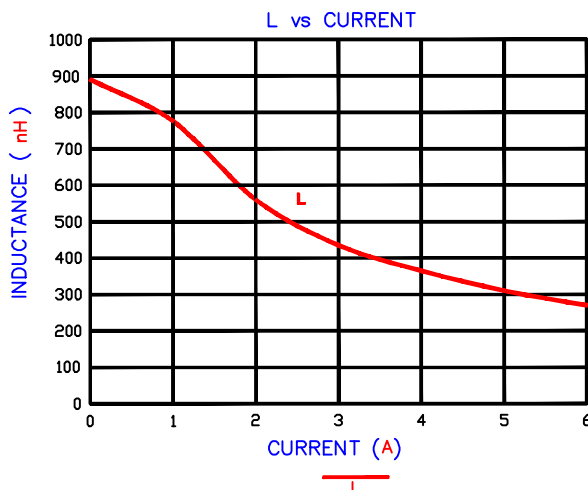
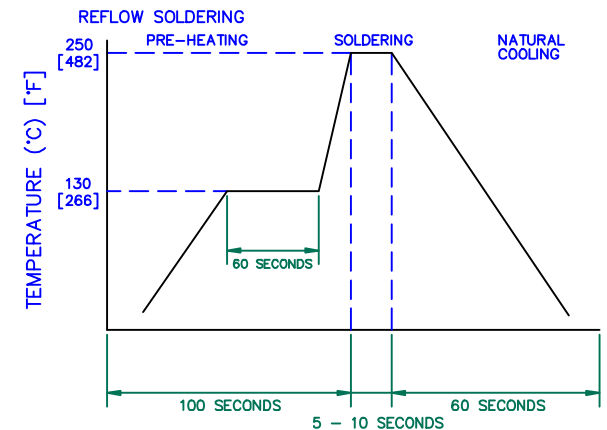


OBSOLETE



(For wave soldering, add 0.762 [.030] to this dimension.)

RECOMMENDED SOLDERING CONDITIONS



DIMENSIONS ARE IN mm [INCHES].				THIS DOCUMENT CONTAINS INFORMATION WHICH IS PROPRIETARY AND CONFIDENTIAL TO STEWARD. NO PRODUCTION OR PUBLICATION OF THIS DOCUMENT IN WHOLE OR IN PART SHALL BE MADE WITHOUT WRITTEN AUTHORIZATION FROM STEWARD.			
				Steward			
				PROJECT/PART NUMBER: DI2220V301R-10	REV A	PART TYPE: CO-FIRE	DRAWN BY: TMB
DATE: 04/02/04		SCALE: NTS		SHEET: 2 of 2			
REV A	DESCRIPTION ORIGINAL DRAFT	DATE 04/02/04	INT TMB	CAD # DI2220V301R-10-A	TOOL # -		