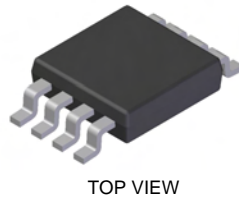
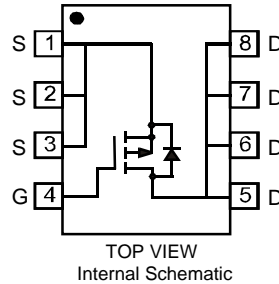


Features

- Low On-Resistance
 - 40mΩ @ $V_{GS} = -4.5V$
 - 70mΩ @ $V_{GS} = -2.5V$
- Low Gate Threshold Voltage
- Low Input Capacitance
- Fast Switching Speed
- Low Input/Output Leakage
- Lead Free By Design/RoHS Compliant (Note 2)**
- "Green" Device (Note 4)**
- Qualified to AEC-Q101 Standards for High Reliability**



SOP-8L



Mechanical Data

- Case: SOP-8L
- Case Material: Molded Plastic, "Green" Molding Compound. UL Flammability Classification Rating 94V-0
- Moisture Sensitivity: Level 1 per J-STD-020D
- Terminals Connections: See Diagram
- Terminals: Finish - Matte Tin annealed over Copper lead frame. Solderable per MIL-STD-202, Method 208
- Marking Information: See Page 3
- Ordering Information: See Page 3
- Weight: 0.072g (approximate)

Maximum Ratings @ $T_A = 25^\circ C$ unless otherwise specified

Characteristic	Symbol	Value	Units	
Drain-Source Voltage	V_{DSS}	-20	V	
Gate-Source Voltage	V_{GSS}	±12	V	
Drain Current (Note 1)	I_D	$T_A = 25^\circ C$	-6.5	A
		$T_A = 70^\circ C$	-5.2	A
Pulsed Drain Current (Note 3)	I_{DM}	-26	A	

Thermal Characteristics

Characteristic	Symbol	Value	Unit
Total Power Dissipation (Note 1)	P_D	2.5	W
Thermal Resistance, Junction to Ambient	$R_{\theta JA}$	50	$^\circ C/W$
Operating and Storage Temperature Range	T_J, T_{STG}	-55 to +150	$^\circ C$

Electrical Characteristics @ $T_A = 25^\circ C$ unless otherwise specified

Characteristic	Symbol	Min	Typ	Max	Unit	Test Condition
OFF CHARACTERISTICS (Note 5)						
Drain-Source Breakdown Voltage	BV_{DSS}	-20	—	—	V	$V_{GS} = 0V, I_D = -250\mu A$
Zero Gate Voltage Drain Current	I_{DSS}	—	—	-1	μA	$V_{DS} = -20V, V_{GS} = 0V$
Gate-Source Leakage	I_{GSS}	—	—	±100	nA	$V_{GS} = \pm 12V, V_{DS} = 0V$
ON CHARACTERISTICS (Note 5)						
Gate Threshold Voltage	$V_{GS(th)}$	-0.6	—	-1.2	V	$V_{DS} = V_{GS}, I_D = -250\mu A$
Static Drain-Source On-Resistance	$R_{DS(on)}$	—	—	40	mΩ	$V_{GS} = -4.5V, I_D = -5.8A$
		—	—	70		$V_{GS} = -2.5V, I_D = -3.8A$
Forward Transconductance	g_{fs}	—	9	—	S	$V_{DS} = -10V, I_D = -4.6A$
Diode Forward Voltage (Note 5)	V_{SD}	-0.5	-0.72	-1.4	V	$V_{GS} = 0V, I_S = -2.1A$
DYNAMIC CHARACTERISTICS						
Input Capacitance	C_{iss}	—	820	—	pF	$V_{DS} = -15V, V_{GS} = 0V$ $f = 1.0MHz$
Output Capacitance	C_{oss}	—	200	—	pF	
Reverse Transfer Capacitance	C_{rss}	—	160	—	pF	

- Notes:
- Device mounted on 2 oz. Copper pads on FR-4 PCB.
 - No purposefully added lead.
 - Pulse width $\leq 10\mu s$, Duty Cycle $\leq 1\%$.
 - Diodes Inc.'s "Green" policy can be found on our website at http://www.diodes.com/products/lead_free/index.php.
 - Short duration pulse test used to minimize self-heating effect.

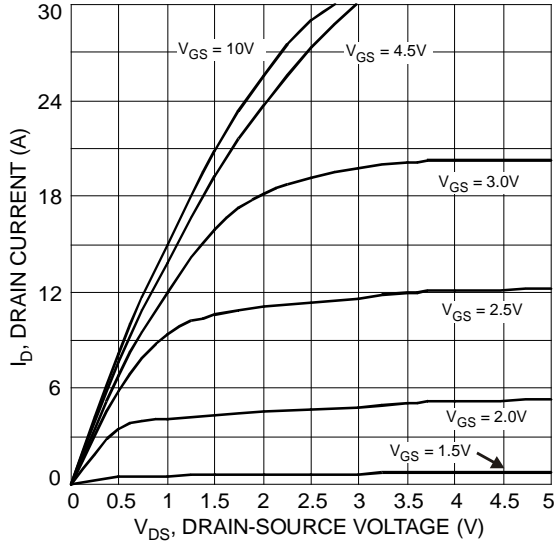


Fig. 1 Typical Output Characteristic

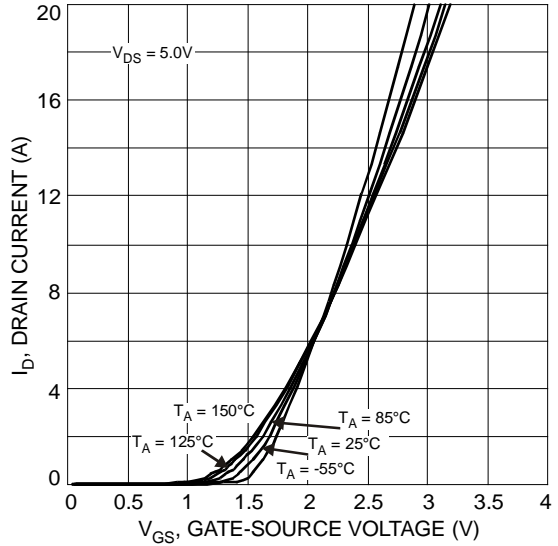


Fig. 2 Typical Transfer Characteristic

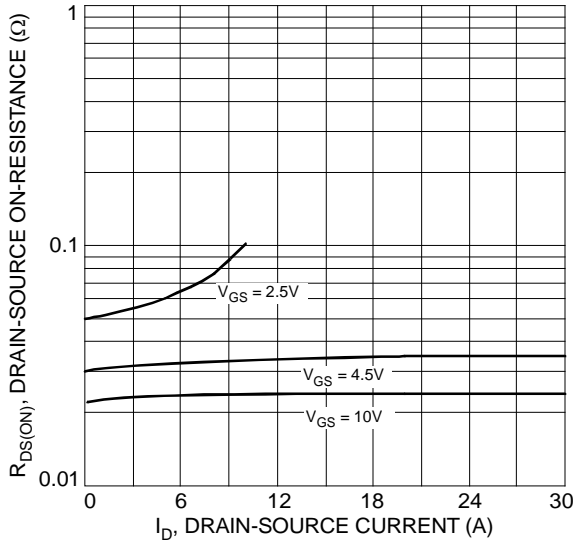


Fig. 3 Typical On-Resistance vs. Drain Current and Gate Voltage

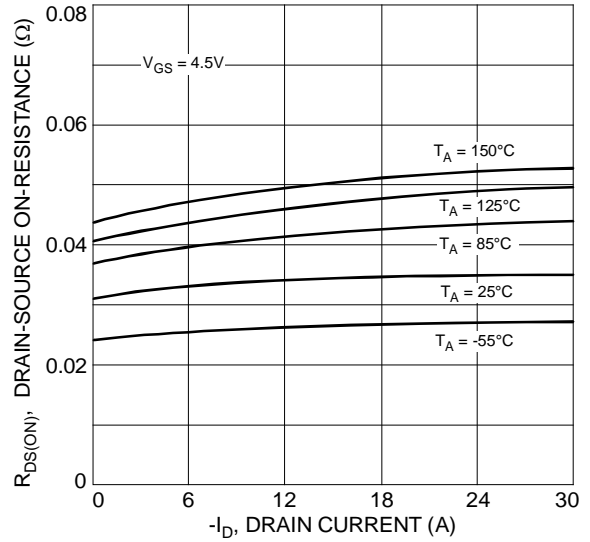


Fig. 4 Typical On-Resistance vs. Drain Current and Temperature

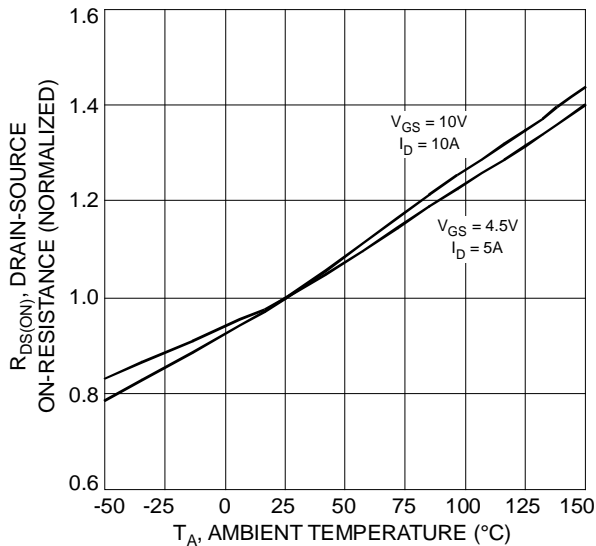


Fig. 5 Normalized On-Resistance vs. Ambient Temperature

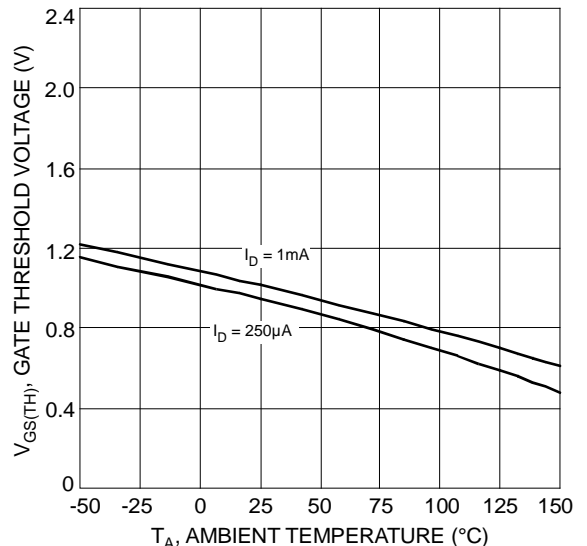


Fig. 6 Gate Threshold Variation vs. Ambient Temperature

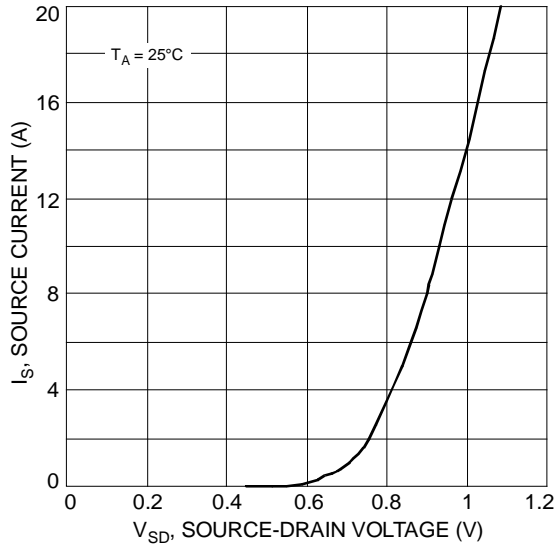


Fig. 7 Diode Forward Voltage vs. Current

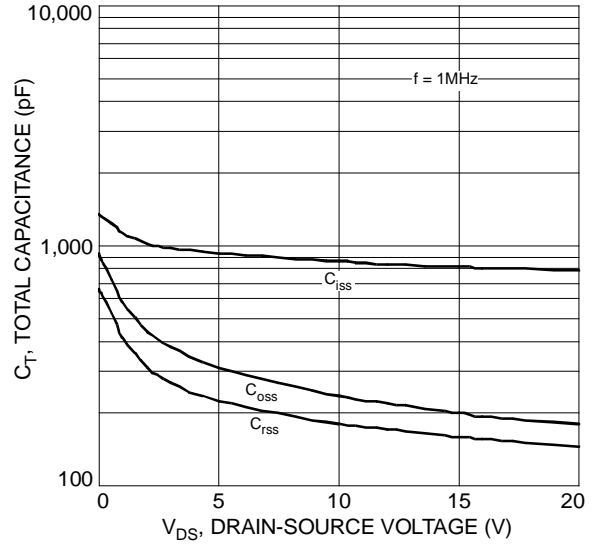


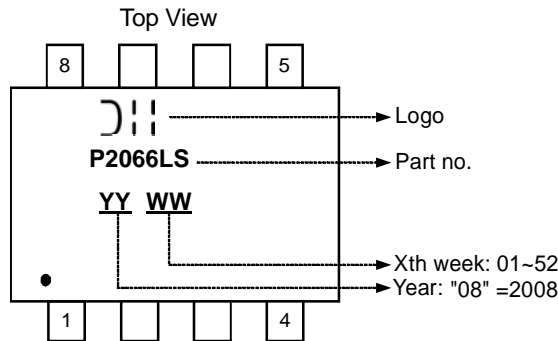
Fig. 8 Typical Total Capacitance

Ordering Information (Note 6)

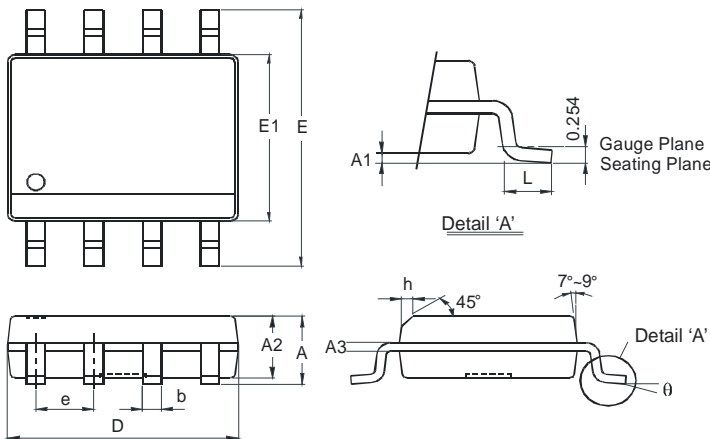
Part Number	Case	Packaging
DMP2066LSS-13	SOP-8L	2500/Tape & Reel

Notes: 6. For packaging details, go to our website at <http://www.diodes.com/datasheets/ap02007.pdf>.

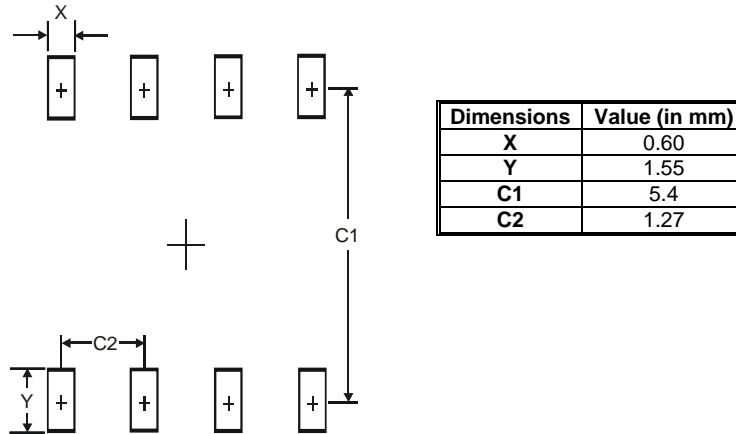
Marking Information



Package Outline Dimensions



SOP-8L		
Dim	Min	Max
A	-	1.75
A1	0.08	0.25
A2	1.30	1.50
A3	0.20 Typ	
b	0.3	0.5
D	4.80	5.30
E	5.79	6.20
E1	3.70	4.10
e	1.27 Typ	
h	-	0.35
L	0.38	1.27
θ	0°	8°
All Dimensions in mm		

Suggested Pad Layout

IMPORTANT NOTICE

Diodes Incorporated and its subsidiaries reserve the right to make modifications, enhancements, improvements, corrections or other changes without further notice to any product herein. Diodes Incorporated does not assume any liability arising out of the application or use of any product described herein; neither does it convey any license under its patent rights, nor the rights of others. The user of products in such applications shall assume all risks of such use and will agree to hold Diodes Incorporated and all the companies whose products are represented on our website, harmless against all damages.

LIFE SUPPORT

Diodes Incorporated products are not authorized for use as critical components in life support devices or systems without the expressed written approval of the President of Diodes Incorporated.