

F1700/F1799 RFI Filters

High Performance

Features:

- General Purpose — Designed for Applications with Higher Differential Mode Noise
- Higher Line-to-Line Capacitance for Protection from Pulsed, Intermittent or Continuous RFI
- A Cost-Effective Replacement for Independent Coil Design in Many SMPS Applications
- Available with Integral IEC Connector



Specifications:

Rated Voltage: 250VAC Maximum - 50/60 Hz

Rated Current:	115VAC	250VAC
	3A	2.5A
	6A	4A
	10A	6A
	20A	10A
	30A	15A

Current Overload: 6X for 8 seconds

Hi-Pot Test (1 min):

Line to Ground	1500VAC
Line to Line	1768VDC

Insulation Resistance: $9 \times 10^9 \Omega$ at 100VDC

Ambient Temperature: 40°C Max. at rated current

Humidity Range: 0% to 95% R.H.

Termination:

A: QC – Quick Connect	C: IEC Receptacle
B: Wire	D: Screw

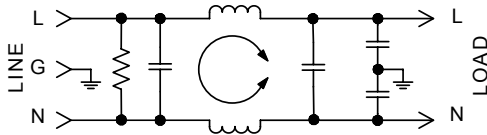
Maximum Leakage Current:

Each Line to Ground	F1700	F1710	F1720	F1740	F1799
115VAC, 60Hz:	0.40mA	.15mA	.002mA	.060mA	0.25mA
250VAC, 50Hz:	0.75mA	.25mA	.005mA	.120mA	0.45mA

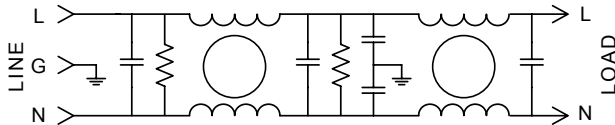
Agency Approvals:



F1700 Simplified Schematic



F1799 Simplified Schematic



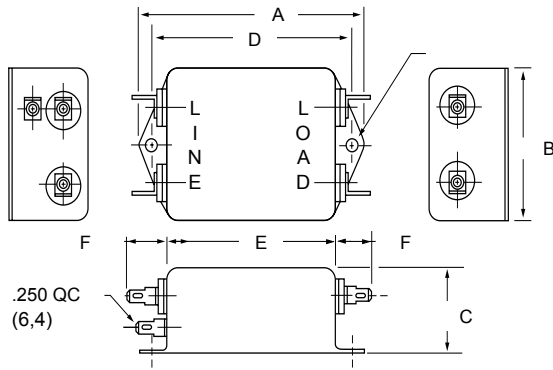
SINGLE PHASE FILTERS

Nominal Current Rating	Part Number	Termination Line/Load	MINIMUM INSERTION LOSS - dB (50 ohm Circuit)						
			MODE	.15	.50	1.0	5.0	10	30
3A	F1700AA03	QC/QC	Common	20	35	43	52	55	50
	F1700BB03	Wire/Wire	Differential	25	60	65	65	50	50
	F1700CA03	IEC/QC							
	F1710AA03	QC/QC	Common	20	34	40	45	45	40
6A	F1720AA03	QC/QC	Differential	35	60	65	60	55	40
	F1740AA03	QC/QC	Common	20	30	35	35	35	40
			Differential	35	60	65	60	55	40
	F1700AA06	QC/QC	Common	10	22	30	46	50	45
10A	F1700BB06	Wire/Wire	Differential	15	50	65	60	60	60
	F1700CA06	IEC/QC							
	F1700AA10	QC/QC	Common	10	22	30	46	50	45
	F1700BB10	Wire/Wire	Differential	20	45	60	65	60	55
20A	F1700CA10	IEC/QC							
	F1700AA20	QC/QC	Common	10	22	30	42	47	40
	F1700DD20	Screw/Screw	Differential	15	45	60	65	60	55
	F1720DD20	Screw/Screw	Common	10	22	30	42	47	52
30A	F1700DD20	Screw/Screw	Differential	15	45	60	65	60	55
	F1700DD30	Screw/Screw	Common	7	15	20	34	42	40
			Differential	15	45	60	65	60	55
	F1799DD30	Screw/Screw	Common	10	45	55	60	60	50
			Differential	15	65	65	65	60	55

NOTE: Other combinations of terminals may be specified on special order.



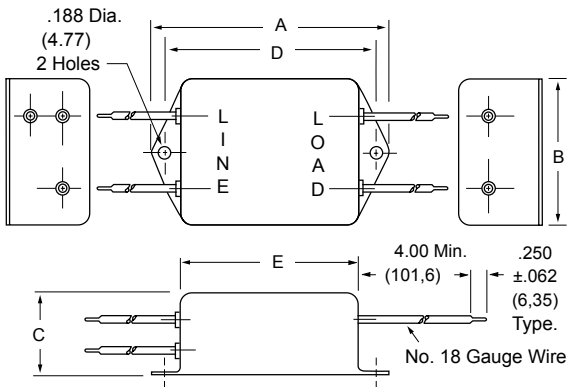
F1700AA, 1710, 1720, 1740 (3, 6 and 10Amp) Dimensions



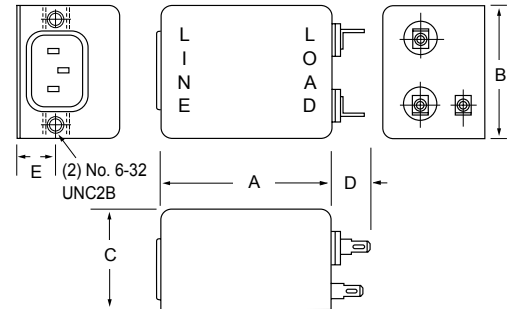
Amps	A	B	C	D	E	F
3A	2.750 (69,8)	1.750 (44,4)	1.125 (28,5)	2.375 (60,3)	2.000 (50,8)	.550 (14,0)
6A	3.312 (84,1)	2.000 (50,8)	1.125 (28,5)	2.940 (74,7)	2.500 (63,5)	.550 (14,0)
10A	3.312 (84,1)	2.000 (50,8)	1.500 (38,2)	2.940 (74,7)	2.500 (63,5)	.550 (14,0)
20A	See 1700DD20 for Case Dimensions					

F1700BB (3, 6 and 10Amp) Dimensions

Amps	A	B	C	D	E
3A	2.750 (69,8)	1.750 (44,4)	1.125 (28,5)	2.375 (60,3)	2.000 (50,8)
6A	3.312 (84,1)	2.000 (50,8)	1.125 (28,5)	2.940 (74,7)	2.500 (63,5)
10A	3.312 (84,1)	2.000 (50,8)	1.500 (38,1)	2.940 (74,7)	2.500 (63,5)



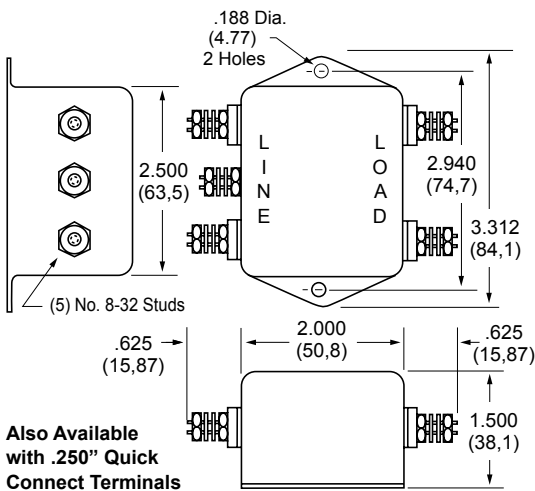
F1700CA (3, 6 and 10Amp) Dimensions



Refer to Page 40 for Standard Mounting Cutouts

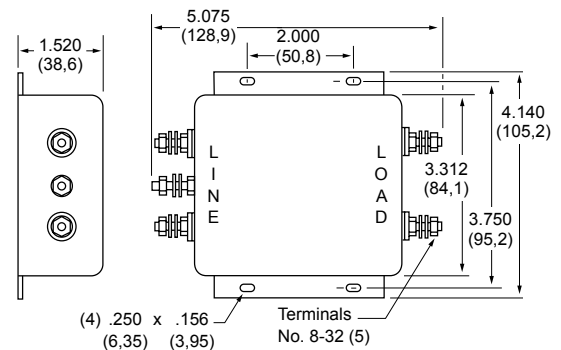
Amps	A	B	C	D	E
3A	2.000 (50,8)	2.000 (50,8)	1.500 (38,1)	.550 (14,0)	.565 (14,3)
6A	2.500 (63,5)	2.000 (50,8)	1.500 (38,1)	.550 (14,0)	.565 (14,3)
10A	2.500 (63,5)	2.000 (50,8)	1.500 (38,1)	.550 (14,0)	.565 (14,3)

F1700DD20 (20Amp) Dimensions

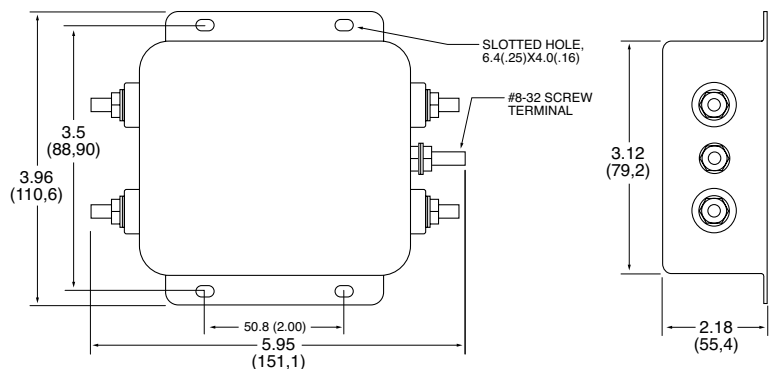


Also Available with .250" Quick Connect Terminals

F1700DD30 (30Amp) Dimensions



F1799DD (30Amp) Dimensions



Dimensions are in inches and millimeters unless otherwise specified. Values in parentheses are metric equivalents.

