

Customer Information Sheet

DRAWING No.: H3490-XX

SHEET 2 OF 2

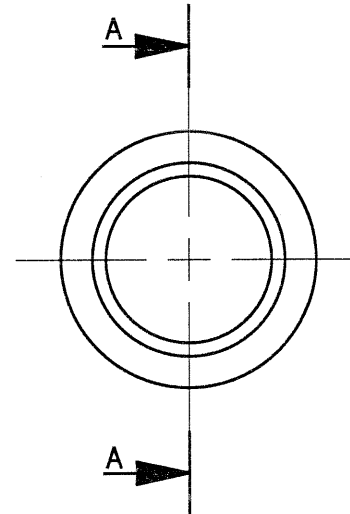
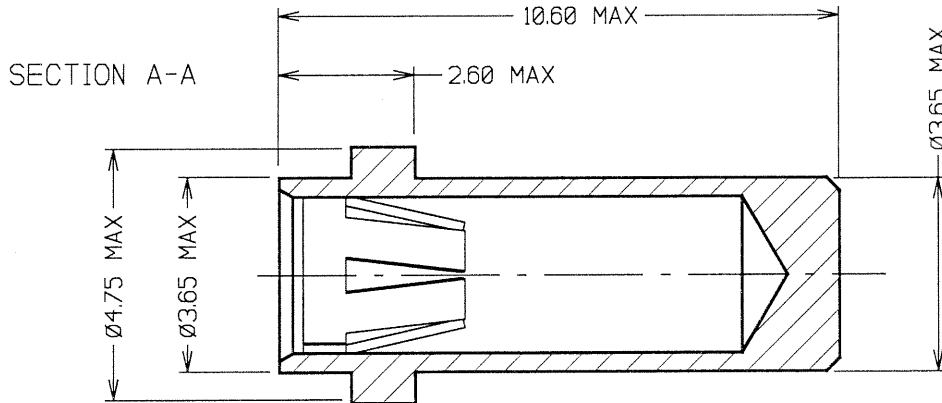
IF IN DOUBT - ASK

©

NOT TO SCALE

THIRD ANGLE PROJECTION

ALL DIMENSIONS IN mm



SPECIFICATIONS:

MATERIALS:

SHELL = BRASS CZ121 TO BS2874

CLIP = BERYLLIUM COPPER C17200 HM

PLATING FINISH:

01 = 0.1-0.15µ GOLD CLIP, 3.5-5.0µ TIN SHELL

05 = 0.1-0.15µ GOLD CLIP, 0.05-0.10µ GOLD SHELL

46 = 1.0-1.5µ 100% TIN CLIP, 3.5-5.0µ 100% TIN SHELL

ELECTRICAL:

CURRENT RATING = 20A MAX

CONTACT RESISTANCE = 25 MILLIOHMS MAX

MECHANICAL:

DURABILITY = 01 - 500 CYCLES

05 - 500 CYCLES

46 - 50 CYCLES

INSERTION FORCE (Ø2.00mm GAUGE) = 6N MAX, 3N MIN

WITHDRAWAL FORCE (Ø2.00mm GAUGE) = 3N MAX, 1N MIN.

MATING PIN SIZE = Ø2.3-1.9mm.

CONTACT DEPTH = 4.10mm MAX

PIN LENGTH = 8.50mm MAX

ENVIRONMENTAL

TEMPERATURE RANGE = -55°C TO +125°C

NOTES:

1. RECOMMENDED MOUNTING HOLE = Ø3.77-Ø3.67mm.
2. FOR COMPLETE SPECIFICATION, SEE COMPONENT SPECIFICATION C031XX (LATEST ISSUE).

ORDER CODE:

H3490-XX

FINISH _____

- 01 - GOLD CLIP, TIN SHELL
- 05 - GOLD CLIP, GOLD SHELL
- 46 - 100% TIN CLIP & TIN SHELL

JMB	4	15.03.06	9089
NAME	ISS.	DATE	C/NOTE
APPROVED: <i>[Signature]</i>			
CHECKED: <i>[Signature]</i>			
DRAWN:		A LIOTTA	
CUSTOMER REF.:			
ASSEMBLY DRG:			

HARWIN

HARWIN USA
TEL: 603 893 5376
FAX: 603 893 5396
mis@harwin.com

HARWIN Europe (UK)
TEL: 023 9231 4545
FAX: 023 9231 4590
mis@harwin.co.uk

HARWIN Asia
TEL: +65 6 779 4909
FAX: +65 6 779 3868
mis@harwin.com.sg

THIS DRAWING AND ANY INFORMATION OR DESCRIPTIVE MATTER SET OUT HEREON ARE CONFIDENTIAL AND COPYRIGHT PROPERTY OF THE HARWIN GROUP AND MUST NOT BE DISCLOSED, LOANED, COPIED OR USED FOR MANUFACTURING, TENDERING OR FOR ANY OTHER PURPOSE WITHOUT THEIR WRITTEN PERMISSION.

TOLERANCES
X. = ±1mm
X.X = ±0.25mm
X.XX = ±0.10mm
X.XXX = ±0.01mm
ANGLES = ±5°
UNLESS STATED

MATERIAL:
SEE ABOVE
FINISH: SEE ABOVE
S/AREA: mm²

TITLE:
Ø2.00mm SOCKET ASSEMBLY

DRAWING NUMBER:
H3490-XX

SHT
2
OF
2