

KILO INTERNATIONAL

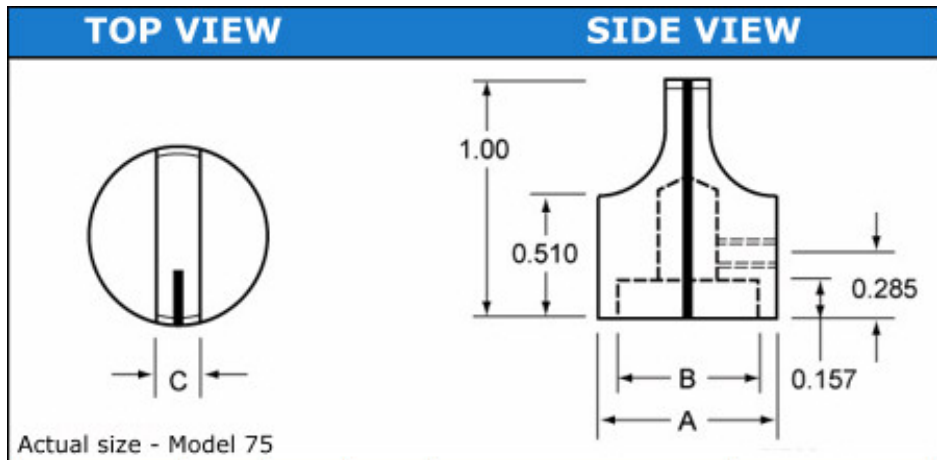
- Home
- Dials
- Knobs
- Distributors
- Contact Us
- Specials

Mechanical Specifications: HD SERIES



HD90 - Black Gloss, HD75 - Black Matte & Clear Gloss, HD50 - Clear Matte

HD Series: The design of the "HD Series" knob is unmistakably unique. The taller profile of this knob, along with ergonomically designed finger surface, distinguishes its self as a knob that has been specified on 1000's of high-end front panel applications. Partial top and full-length side saw cut indicator line. Two 6-32 set screws.



Actual size - Model 75

MODEL	A	B	C	COLOR CHOICE	SHAFT
50	.500	.375	.125	1 - CLEAR GLOSS	5 - .250
75	.750	.590	.187	2 - BLACK GLOSS	6 - .125
90	.925	.708	.250	3 - CLEAR MATTE	6mm - 6mm
				4 - BLACK MATTE	



1952 Ironton Blvd
Provo, UT 84606
USA

TEL 801.377.5530
FAX 801.377.5573