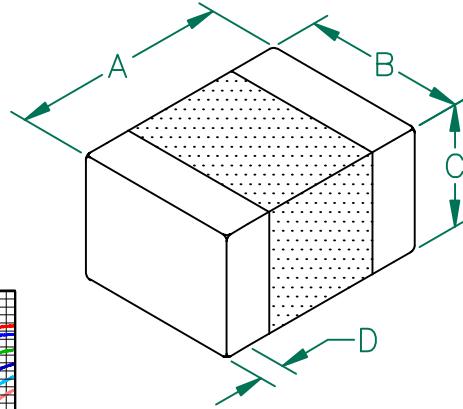


HI1612X560R-10



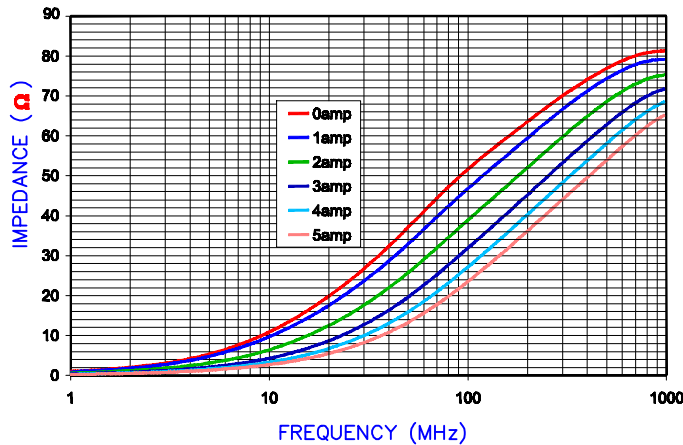
PHYSICAL DIMENSIONS:

A	4.06 [.160]	+ 0.20 [.008]	- 0.20 [.008]
B	3.05 [.120]	+ 0.20 [.008]	- 0.20 [.008]
C	2.28 [.090]	+ 0.20 [.008]	- 0.20 [.008]
D	0.89 [.035]	+ 0.20 [.008]	- 0.20 [.008]

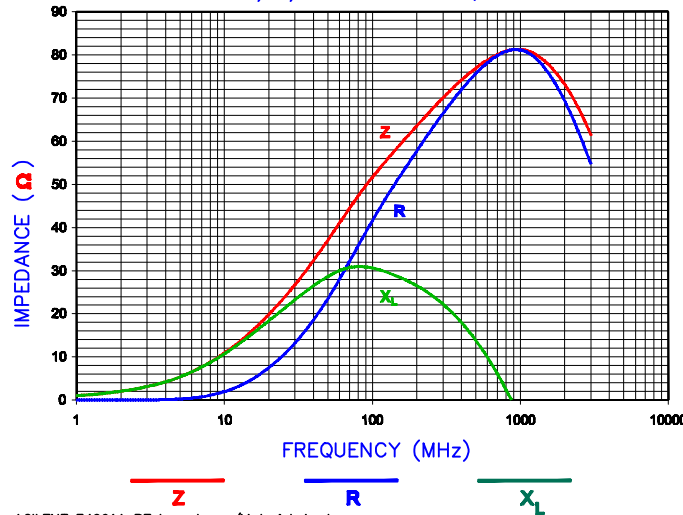


ELECTRICAL CHARACTERISTICS:			
Z @ 100MHz (Ω)	DCR (Ω)	Rated Current	
Nominal	56		
Minimum	42		
Maximum	70	0.004	10,000 mA

Z vs FREQUENCY
IMPEDANCE UNDER DC BIAS

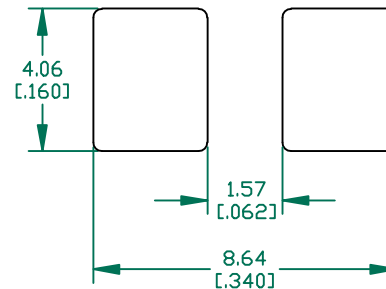


Z, R, AND X vs. FREQUENCY



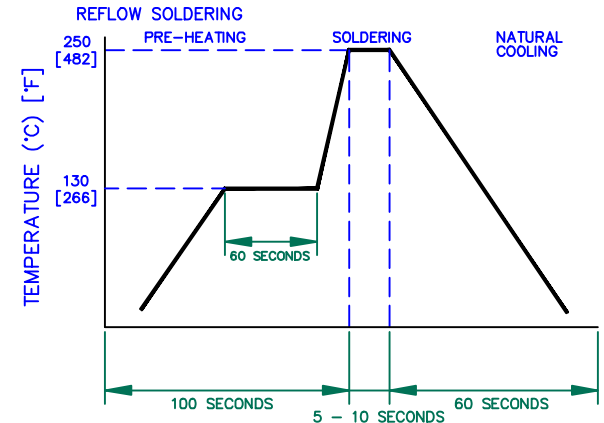
OBSOLETE

LAND PATTERNS FOR REFLOW SOLDERING



(For wave soldering, add 0.762 [.030] to this dimension.)

RECOMMENDED SOLDERING CONDITIONS



DIMENSIONS ARE IN mm [INCHES].				THIS DOCUMENT CONTAINS INFORMATION WHICH IS PROPRIETARY AND CONFIDENTIAL TO STEWARD. NO PRODUCTION OR PUBLICATION OF THIS DOCUMENT IN WHOLE OR IN PART SHALL BE MADE WITHOUT WRITTEN AUTHORIZATION FROM STEWARD.																														
<table border="1"> <tr> <td>C</td> <td>CHANGE TOLERANCE ON D DIMENSION</td> <td>08/29/06</td> <td>JRK</td> <td colspan="2">PROJECT/PART NUMBER: HI1612X560R-10</td> <td>REV C</td> <td>PART TYPE: CO-FIRE</td> <td>DRAWN BY: JRK</td> </tr> <tr> <td>B</td> <td>CHANGE D DIMENSION & TOLERANCE</td> <td>03/21/06</td> <td>JRK</td> <td>DATE: 09/19/05</td> <td>SCALE: NTS</td> <td colspan="3">SHEET: 2 of 2</td> </tr> <tr> <td>A</td> <td>ORIGINAL DRAFT</td> <td>09/19/05</td> <td>JRK</td> <td>CAD #</td> <td>TOOL #</td> <td colspan="3"></td> </tr> </table>				C	CHANGE TOLERANCE ON D DIMENSION	08/29/06	JRK	PROJECT/PART NUMBER: HI1612X560R-10		REV C	PART TYPE: CO-FIRE	DRAWN BY: JRK	B	CHANGE D DIMENSION & TOLERANCE	03/21/06	JRK	DATE: 09/19/05	SCALE: NTS	SHEET: 2 of 2			A	ORIGINAL DRAFT	09/19/05	JRK	CAD #	TOOL #				<p style="text-align: center; font-size: 2em; font-weight: bold; color: red;">Steward</p>			
				C	CHANGE TOLERANCE ON D DIMENSION	08/29/06	JRK	PROJECT/PART NUMBER: HI1612X560R-10		REV C	PART TYPE: CO-FIRE	DRAWN BY: JRK																						
B	CHANGE D DIMENSION & TOLERANCE	03/21/06	JRK	DATE: 09/19/05	SCALE: NTS	SHEET: 2 of 2																												
A	ORIGINAL DRAFT	09/19/05	JRK	CAD #	TOOL #																													
REV	DESCRIPTION	DATE	INT	H11612X560R-10-C																														

